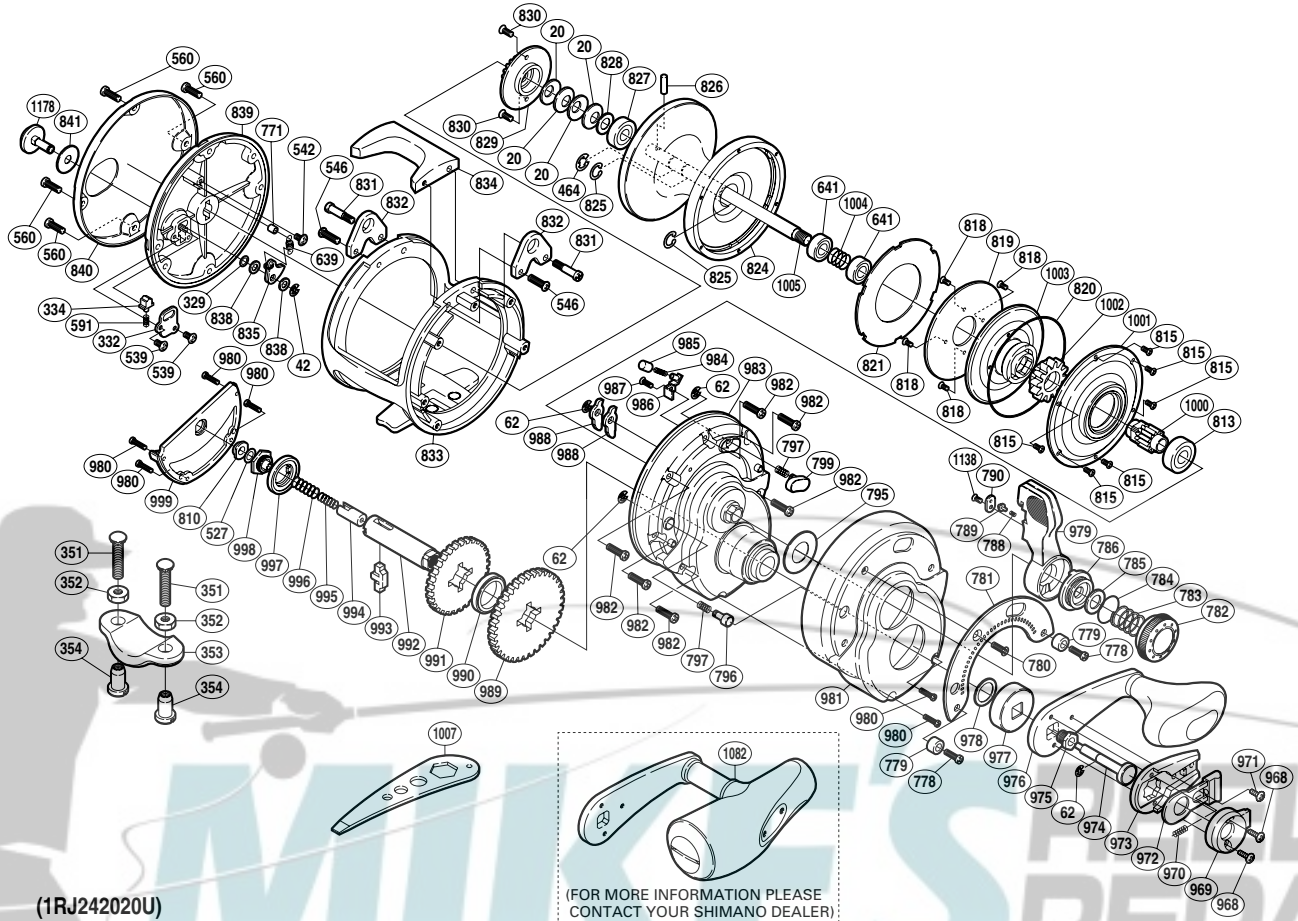


SHIMANO

TYRNOS A-RB

TYR-20II



(1RJ242020U)

| Part No. | Description | Part No. | Description | Part No. | Description |
|----------|-----------------------------|----------|------------------------|----------|----------------------------------|
| TGT0020 | Coned Disc Spring | TGT0818 | Screw | TGT0983 | Right Side Plate |
| TGT0042 | E Lock | TGT0819 | Drag Plate | TGT0984 | Dog Spring |
| TGT0062 | E Lock | TGT0820 | O Ring | TGT0985 | Dog Spring Guide |
| TGT0329 | Spacer | TGT0821 | Drag Washer | TGT0986 | Guard Against Dog |
| TGT0332 | Click Spring Retainer | TGT0824 | Spool | TGT0987 | Screw |
| TGT0334 | Click Spring Holder | TGT0825 | C Lock | TGT0988 | Dog |
| TGT0464 | E Lock | TGT0826 | Cross Pin | TGT0989 | Drive Gear A |
| TGT0527 | Spacer | TGT0827 | Ball Bearing | TGT0990 | Friction Washer |
| TGT0539 | Screw | TGT0828 | Bearing Thrust Washer | TGT0991 | Drive Gear B |
| TGT0542 | Screw | TGT0829 | Click Gear | TGT0992 | Drive Shaft |
| TGT0546 | Screw | TGT0830 | Screw | TGT0993 | Gear Select Cross Bar |
| TGT0560 | Screw | TGT0831 | Harness Lug Screw | TGT0994 | Cross Bar Stop |
| TGT0591 | Click Spring | TGT0832 | Harness Lug | TGT0995 | Drive Shaft Spring B |
| TGT0639 | Click Pawl Spring | TGT0833 | One-Piece Frame | TGT0996 | Drive Shaft Spring |
| TGT0641 | Ball Bearing | TGT0834 | Cross Bar | TGT0997 | Friction Washer |
| TGT0771 | Click Pawl Spring Boss Ring | TGT0835 | Click Pawl | TGT0998 | Drive Shaft Screw |
| TGT0778 | Screw | TGT0838 | Spacer | TGT0999 | Right Side Seal |
| TGT0779 | Screw Shield | TGT0839 | Left Side Plate | TGT1000 | Pinion Gear A |
| TGT0780 | Screw | TGT0840 | Left Side Plate Cover | TGT1001 | Cooling Shield |
| TGT0781 | Lever Quadrant | TGT0841 | Click Button Spacer | TGT1002 | Pinion Gear B |
| TGT0782 | Pre-Program Dial | TGT0968 | Screw | TGT1003 | Pinion Guard |
| TGT0783 | Dial Spring | TGT0969 | Push Button Shield | TGT1004 | Pressure Release Spring |
| TGT0784 | O Ring | TGT0970 | Slide Plate Spring | TGT1005 | Spool Shaft |
| TGT0785 | Washer | TGT0971 | Screw | TGT1138 | Screw |
| TGT0786 | Lever Shaft Body | TGT0972 | Slide Plate | TGT1178 | Click Button |
| TGT0788 | Lever Click Shoe | TGT0973 | Handle Bolt Plate | | |
| TGT0789 | Lever Click | TGT0974 | Push Low Button Shaft | TGT0351 | Rod Clamp Bolt (accessory) |
| TGT0790 | Lever Click Cover | TGT0975 | Handle Bolt | TGT0352 | Rod Clamp Nut B (accessory) |
| TGT0795 | Lever Thrust Ring | TGT0976 | Handle | TGT0353 | Rod Clamp (accessory) |
| TGT0796 | Free Spool Detent | TGT0977 | Drive Shaft Shield | TGT0354 | Rod Clamp Nut A (accessory) |
| TGT0797 | Pressure Spring | TGT0978 | Washer | | |
| TGT0799 | Strike Stop | TGT0979 | Drag Control Lever | TGT1007 | Wrench (accessory) |
| TGT0810 | Drive Shaft Bushing | TGT0980 | Screw | | |
| TGT0813 | Ball Bearing | TGT0981 | Right Side Plate Cover | | |
| TGT0815 | Screw | TGT0982 | Screw | TGT1082 | Harness Fishing Accessory Handle |