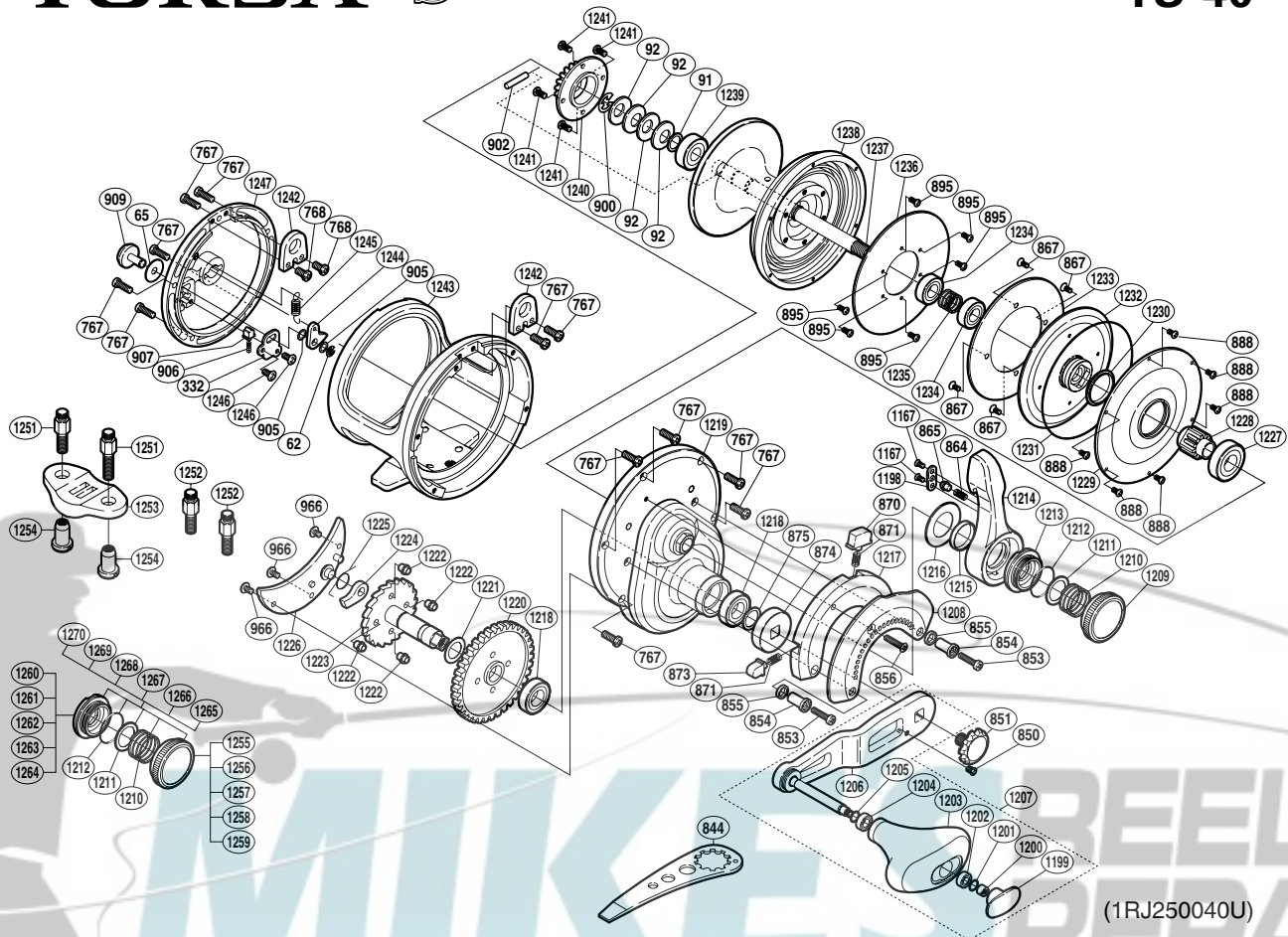


SHIMANO

TORSA SA-RB

TS-40



Part No.	Description	Part No.	Description	Part No.	Description
TGT0062	E Lock	TGT1202	Ball Bearing	TGT1238	Spool
TGT0065	Spacer	TGT1203	Handle Knob	TGT1239	Ball Bearing
TGT0091	Bearing Thrust Washer	TGT1204	Ball Bearing	TGT1240	Click Gear Support
TGT0092	Coned Disc Spring	TGT1205	Washer	TGT1241	Screw
TGT0257	Brake Collar (blue)	TGT1206	Handle Shank Assembly	TGT1242	Harness Lug
TGT0332	Click Spring Retainer	TGT1207	Handle Assembly	TGT1243	One-Piece Frame
TGT0767	Screw	TGT1208	Lever Quadrant	TGT1244	Click Pawl
TGT0768	Screw	TGT1209	Pre-Program Dial (LRS)	TGT1245	Click Pawl Spring
TGT0850	Screw	TGT1210	Dial Spring	TGT1246	Screw
TGT0851	Handle Bolt	TGT1211	Washer	TGT1247	Left Side Plate
TGT0853	Screw	TGT1212	O Ring		
TGT0854	Screw Shield	TGT1213	Lever Shaft Body (LRS)	TGT1251	Rod Clamp Bolt (accessory)
TGT0855	Quadrant Support	TGT1214	Drag Control Lever	TGT1252	Rod Clamp Bolt S (accessory)
TGT0856	Screw	TGT1215	Lever Thrust Ring	TGT1253	Rod Clamp (accessory)
TGT0864	Yoke Spring	TGT1216	Washer	TGT1254	Rod Clamp Nut (accessory)
TGT0865	Lever Click	TGT1217	Right Side Plate B	TGT0844	Wrench (accessory)
TGT0867	Screw	TGT1218	Ball Bearing		
TGT0870	Strike Stop	TGT1219	Right Side Plate		
TGT0871	Pressure Spring	TGT1220	Drive Gear	TGT1255	Pre-Program Dial (DNK20) (accessory)
TGT0873	Free Spool Detent	TGT1221	Washer	TGT1256	Pre-Program Dial (DNK30-40) (accessory)
TGT0874	Gear Shaft Shield	TGT1222	Anti-Reverse Ratchet Pin	TGT1257	Pre-Program Dial (CFS) (accessory)
TGT0875	Washer	TGT1223	Anti-Reverse Ratchet	TGT1258	Pre-Program Dial (UFS) (accessory)
TGT0888	Screw	TGT1224	Anti-Reverse Pawl	TGT1259	Pre-Program Dial (BFS80) (accessory)
TGT0895	Screw	TGT1225	Anti-Reverse Pawl Spring		
TGT0900	E Lock	TGT1226	Set Plate	TGT1260	Lever Shaft Body (DNK20) (accessory)
TGT0902	Cross Pin	TGT1227	Ball Bearing	TGT1261	Lever Shaft Body (DNK30-40) (accessory)
TGT0905	Spacer	TGT1228	Pinion Gear	TGT1262	Lever Shaft Body (CFS) (accessory)
TGT0906	Click Spring	TGT1229	Cooling Shield	TGT1263	Lever Shaft Body (UFS) (accessory)
TGT0907	Click Spring Holder	TGT1230	Waterproof Ring	TGT1264	Lever Shaft Body (BFS80) (accessory)
TGT0909	Click Button	TGT1231	O Ring		
TGT0966	Screw	TGT1232	Pinion Guard	TGT1265	Quick Change Cam Assembly (LRS) (accessory)
TGT1167	Screw	TGT1233	Drag Plate	TGT1266	Quick Change Cam Assembly (DNK20) (accessory)
TGT1198	Lever Click Cover	TGT1234	Ball Bearing	TGT1267	Quick Change Cam Assembly (DNK30-40) (accessory)
TGT1199	Handle Knob Seal	TGT1235	Pressure Release Spring	TGT1268	Quick Change Cam Assembly (CFS) (accessory)
TGT1200	Handle Nut	TGT1236	Drag Washer	TGT1269	Quick Change Cam Assembly (UFS) (accessory)
TGT1201	Washer	TGT1237	Spool Shaft	TGT1270	Quick Change Cam Assembly (BFS80) (accessory)