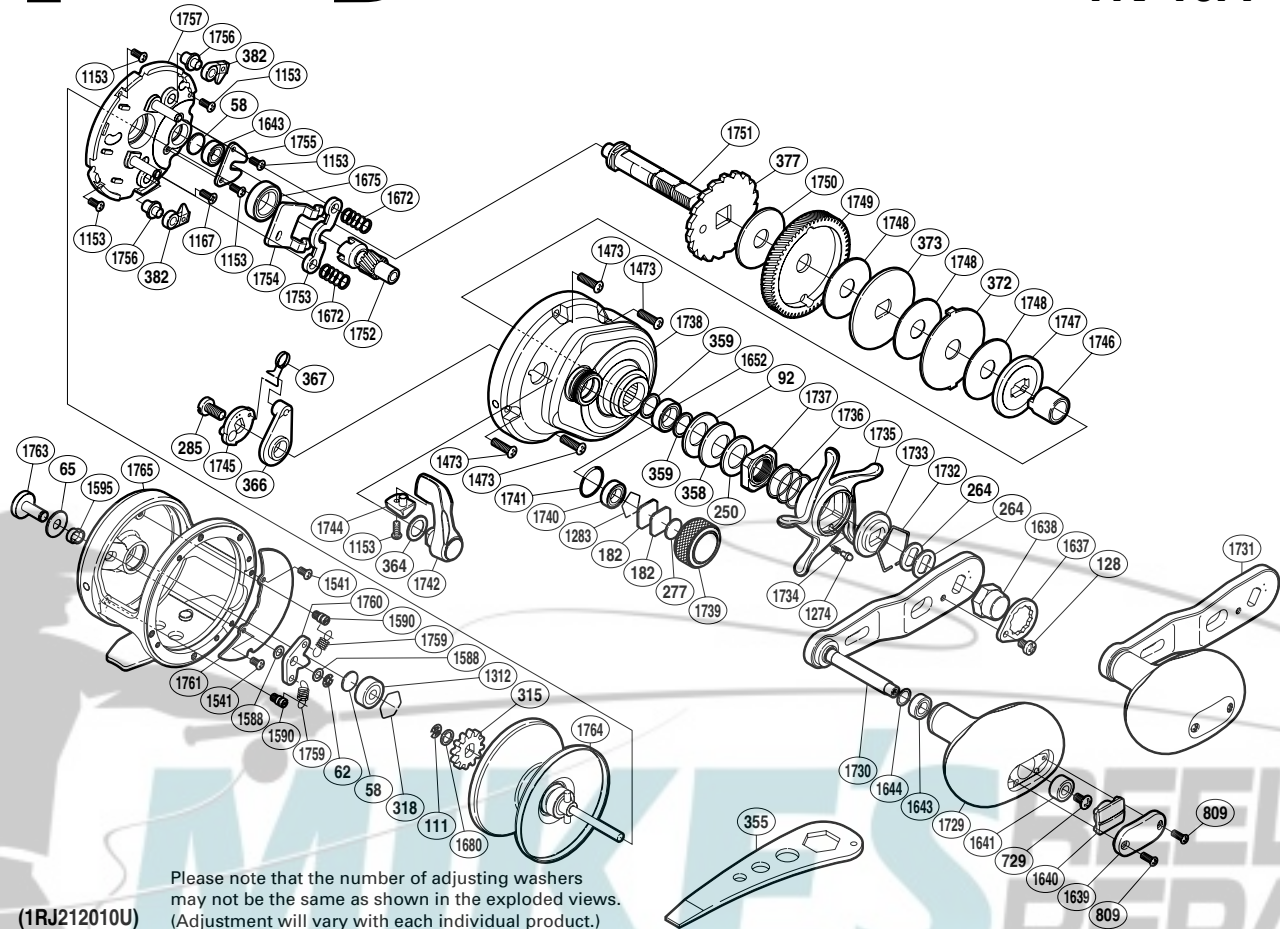


SHIMANO

TRINIDAD SA-RB

TN-10A



Please note that the number of adjusting washers may not be the same as shown in the exploded views. (Adjustment will vary with each individual product.)

(1RJ212010U)

Part No.	Description	Part No.	Description	Part No.	Description
TGT0058	Spacer B	TGT1283	Bearing Retainer	TGT1738	Right Side Plate
TGT0062	E Lock	TGT1312	Ball Bearing	TGT1739	Cast Control Cap
TGT0065	Spacer	TGT1473	Screw	TGT1740	Ball Bearing
TGT0092	Coned Disc Spring (8H)	TGT1541	Screw	TGT1741	O Ring
TGT0111	E Lock	TGT1588	Spacer	TGT1742	Clutch Lever
TGT0128	Screw	TGT1590	Click Spring Retainer	TGT1744	Clutch Lever Protector
TGT0182	Cast Control Spacer	TGT1595	Click Switch Cam	TGT1745	Clutch Cam
TGT0250	Star Drag Washer	TGT1637	Handle Nut Plate	TGT1746	Roller Clutch Inner Tube
TGT0264	Drive Shaft Shield	TGT1638	Handle Nut	TGT1747	Pressure Plate
TGT0277	Cast Control Spacer	TGT1639	Handle Knob I.D. Plate	TGT1748	Drag Washer
TGT0285	Screw	TGT1640	Handle Knob Seal	TGT1749	Drive Gear
TGT0315	Click Gear	TGT1641	Ball Bearing	TGT1750	Drag Washer
TGT0318	Bearing Retainer	TGT1643	Ball Bearing	TGT1751	Drive Shaft
TGT0358	Coned Disc Spring (8L)	TGT1644	Washer	TGT1752	Pinion Gear
TGT0359	Bearing Thrust Washer	TGT1652	Ball Bearing	TGT1753	Yoke
TGT0364	Smoother	TGT1672	Yoke Spring	TGT1754	Clutch Plate
TGT0366	Eccentric Cam Bushing	TGT1675	Ball Bearing	TGT1755	Drive Shaft Retainer
TGT0367	Clutch Spring	TGT1680	Washer	TGT1756	Anti-Reverse Pawl Pin
TGT0372	Eared Washer	TGT1729	Handle Knob	TGT1757	Set Plate
TGT0373	Key Washer	TGT1730	Handle Shank Assembly	TGT1759	Click Pawl Spring
TGT0377	Anti-Reverse Ratchet	TGT1731	Handle Assembly	TGT1760	Click Pawl
TGT0382	Anti-Reverse Pawl	TGT1732	Click Plate Retainer	TGT1761	Set Plate Sticker
TGT0729	Screw	TGT1733	Star Drag Click Plate	TGT1763	Click Button
TGT0809	Screw	TGT1734	Click Spring	TGT1764	Spool Assembly
TGT1153	Screw	TGT1735	Star Drag	TGT1765	One-Piece Frame
TGT1167	Screw	TGT1736	Star Drag Spring		
TGT1274	Click Pin	TGT1737	Star Drag Nut	TGT0355	Wrench (accessory)