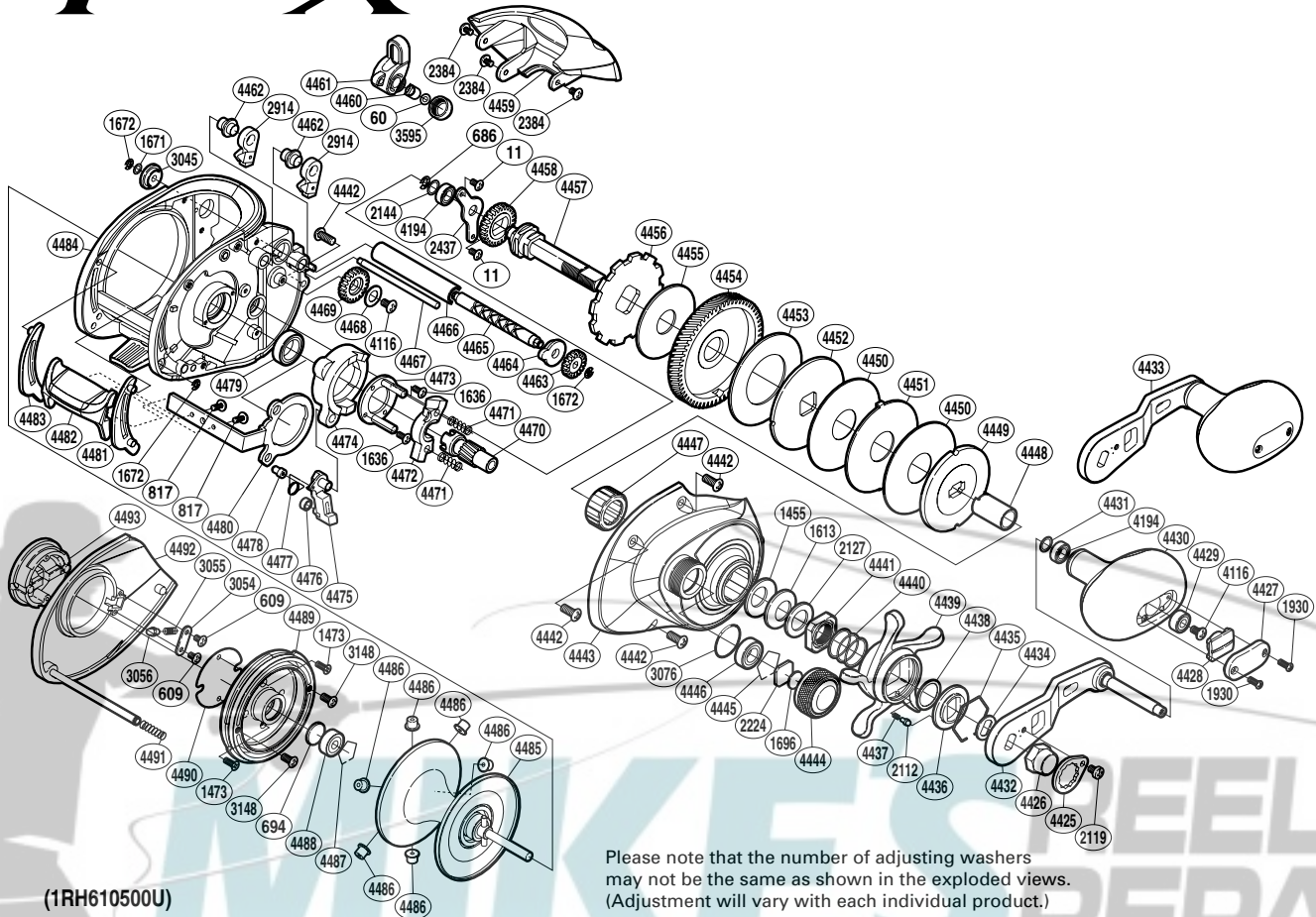


# SHIMANO

## TRAX S A-RB

## TRX-500HG



(1RH610500U)

Please note that the number of adjusting washers may not be the same as shown in the exploded views. (Adjustment will vary with each individual product.)

Part No.	Description	Part No.	Description	Part No.	Description
BNT0011	Screw	BNT4428	Handle Knob Seal	BNT4462	Anti-Reverse Pawl Shaft
BNT0060	Spacer	BNT4429	Ball Bearing	BNT4463	Idle Gear
BNT0609	Screw	BNT4430	Handle Knob	BNT4464	Worm Bushing A
BNT0686	E Lock	BNT4431	Washer	BNT4465	Worm Shaft
BNT0694	Spacer B	BNT4432	Handle Shank Assembly	BNT4466	Level Wind Guard
BNT0817	Screw	BNT4433	Handle Assembly	BNT4467	Level Wind Guide
BNT1455	Coned Disc Spring (8H)	BNT4434	Drive Shaft Shield	BNT4468	Washer
BNT1473	Screw	BNT4435	Click Plate Retainer	BNT4469	Idle Gear
BNT1613	Coned Disc Spring (8L)	BNT4436	Star Drag Click Plate	BNT4470	Pinion Gear
BNT1636	Screw	BNT4437	Click Spring	BNT4471	Yoke Spring
BNT1671	Washer	BNT4438	Washer	BNT4472	Yoke
BNT1672	E Lock	BNT4439	Star Drag	BNT4473	Clutch Cam Retainer
BNT1696	Cast Control Spacer	BNT4440	Star Drag Spring	BNT4474	Clutch Cam
BNT1930	Screw	BNT4441	Star Drag Nut	BNT4475	Clutch Pawl
BNT2119	Screw	BNT4442	Screw	BNT4476	Clutch Pawl Bushing
BNT2122	Click Pin	BNT4443	Right Side Plate	BNT4477	Clutch Pawl Spring
BNT2127	Star Drag Spacer	BNT4444	Cast Control Cap	BNT4478	Clutch Pawl Spring Collar
BNT2144	Washer	BNT4445	Bearing Retainer	BNT4479	Ball Bearing
BNT2224	Spool Tension Spacer	BNT4446	Ball Bearing	BNT4480	Clutch Plate
BNT2384	Screw	BNT4447	Roller Clutch Bearing	BNT4481	Clutch Bar Guide B
BNT2437	Drive Shaft Retainer	BNT4448	Roller Clutch Inner Tube	BNT4482	Quick-Fire II Clutch Bar
BNT2914	Anti-Reverse Pawl	BNT4449	Pressure Plate	BNT4483	Clutch Bar Guide A
BNT3045	Worm Bushing B	BNT4450	Drag Washer	BNT4484	One-Piece Frame
BNT3054	Click Pin Retainer	BNT4451	Eared Washer	BNT4485	Spool Assembly
BNT3055	Click Spring	BNT4452	Drag Washer	BNT4486	Brake Collar
BNT3056	Click Pin	BNT4453	Drag Washer	BNT4487	Bearing Retainer
BNT3076	O Ring	BNT4454	Drive Gear	BNT4488	Ball Bearing
BNT3148	Screw	BNT4455	Drag Washer	BNT4489	Brake Case
BNT3595	Pawl Cap	BNT4456	Anti-Reverse Ratchet	BNT4490	Brake Case Spacer
BNT4116	Screw	BNT4457	Drive Shaft	BNT4491	Damper Spring
BNT4194	Ball Bearing	BNT4458	Idle Gear	BNT4492	Left Side Plate
BNT4425	Handle Nut Plate	BNT4459	Thumb Rest	BNT4493	Turnkey Dial
BNT4426	Handle Nut	BNT4460	Line Guide Pawl		
BNT4427	Handle Knob I.D. Plate	BNT4461	Line Guide		