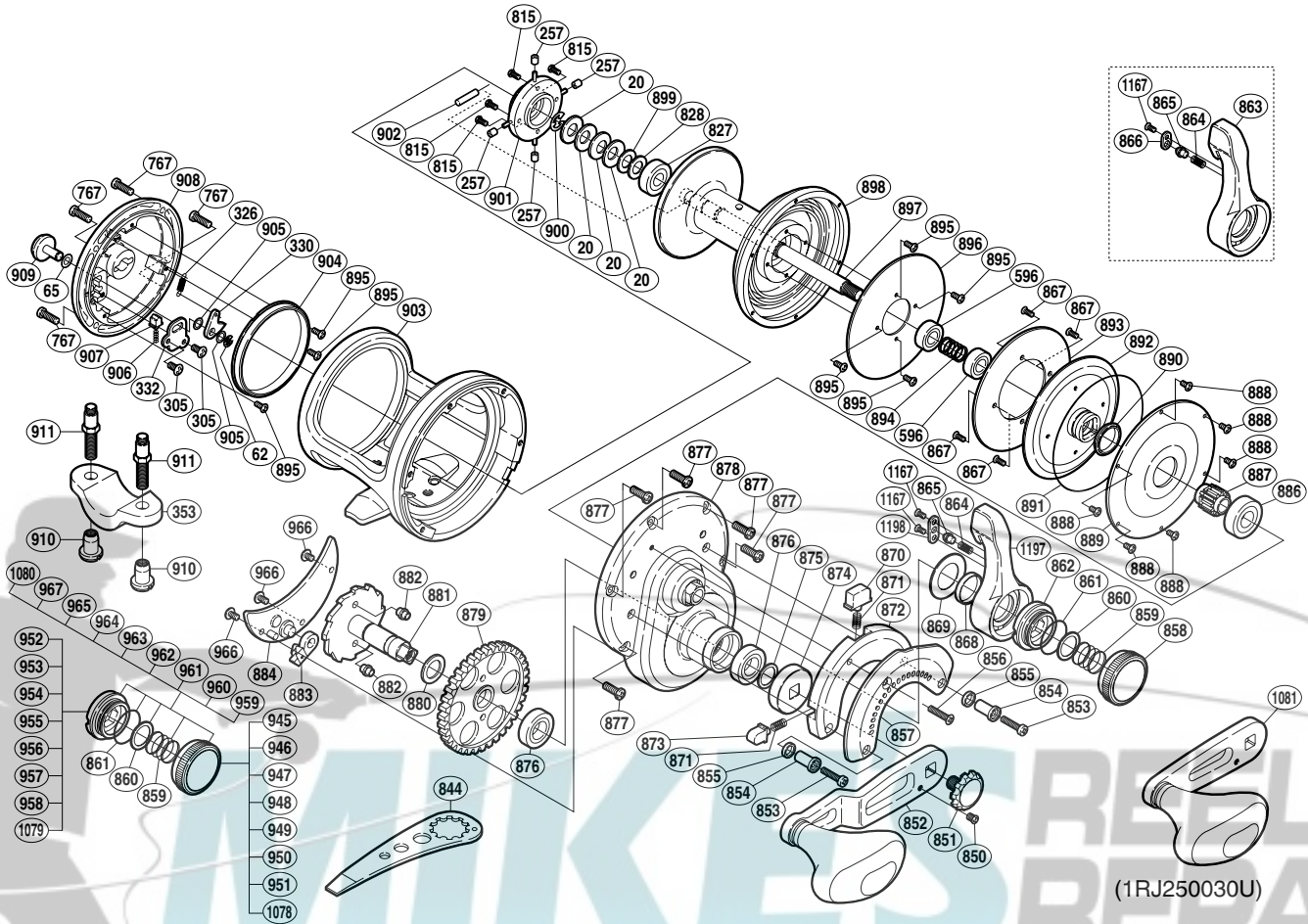


SHIMANO

TORSA A-RB

TS-30



| Part No. | Description | Part No. | Description | Part No. | Description |
|----------|------------------------|----------|--------------------------|----------|---|
| TGT0020 | Coned Disc Spring | TGT0876 | Ball Bearing | TGT0353 | Rod Clamp (accessory) |
| TGT0062 | E Lock | TGT0877 | Screw | TGT0910 | Rod Clamp Nut (accessory) |
| TGT0065 | Spacer | TGT0878 | Right Side Plate | TGT0911 | Rod Clamp Bolt (accessory) |
| TGT0257 | Brake Collar (blue) | TGT0879 | Drive Gear | TGT0844 | Wrench (accessory) |
| TGT0305 | Screw | TGT0880 | Washer | | |
| TGT0326 | Click Pawl Spring | TGT0881 | Anti-Reverse Ratchet | TGT0945 | Pre-Program Dial (LLS 6) (accessory) |
| TGT0330 | Click Pawl | TGT0882 | Anti-Reverse Ratchet Pin | TGT0946 | Pre-Program Dial (LLS12) (accessory) |
| TGT0332 | Click Spring Retainer | TGT0883 | Anti-Reverse Pawl | TGT0947 | Pre-Program Dial (BFS20) (accessory) |
| TGT0596 | Ball Bearing | TGT0884 | Set Plate | TGT0948 | Pre-Program Dial (BFS50) (accessory) |
| TGT0767 | Screw | TGT0886 | Ball Bearing | TGT0949 | Pre-Program Dial (WMS) (accessory) |
| TGT0815 | Screw | TGT0887 | Pinion Gear | TGT0950 | Pre-Program Dial (KFS) (accessory) |
| TGT0827 | Ball Bearing | TGT0888 | Screw | TGT0951 | Pre-Program Dial (CFS) (accessory) |
| TGT0828 | Bearing Thrust Washer | TGT0889 | Cooling Shield | TGT1078 | Pre-Program Dial (SFS) (accessory) |
| TGT0850 | Screw | TGT0890 | Waterproof Ring | | |
| TGT0851 | Handle Bolt | TGT0891 | O Ring | TGT0952 | Lever Shaft Body (LLS 6) (accessory) |
| TGT0852 | Handle | TGT0892 | Pinion Guard | TGT0953 | Lever Shaft Body (LLS12) (accessory) |
| TGT0853 | Screw | TGT0893 | Drag Plate | TGT0954 | Lever Shaft Body (BFS20) (accessory) |
| TGT0854 | Screw Shield | TGT0894 | Pressure Release Spring | TGT0955 | Lever Shaft Body (BFS50) (accessory) |
| TGT0855 | Quadrant Support | TGT0895 | Screw | TGT0956 | Lever Shaft Body (WMS) (accessory) |
| TGT0856 | Screw | TGT0896 | Drag Washer | TGT0957 | Lever Shaft Body (KFS) (accessory) |
| TGT0857 | Lever Quadrant | TGT0897 | Main Shaft | TGT0958 | Lever Shaft Body (CFS) (accessory) |
| TGT0858 | Pre-Program Dial (LRS) | TGT0898 | Spool | TGT1079 | Lever Shaft Body (SFS) (accessory) |
| TGT0859 | Dial Spring | TGT0899 | Washer | | |
| TGT0860 | Washer | TGT0900 | E Lock | TGT0959 | Quick Change Cam Assembly (LLS 6) (accessory) |
| TGT0861 | O Ring | TGT0901 | Click Gear Support | TGT0960 | Quick Change Cam Assembly (LLS12) (accessory) |
| TGT0862 | Lever Shaft Body (LRS) | TGT0902 | Cross Pin | TGT0961 | Quick Change Cam Assembly (BFS20) (accessory) |
| TGT0864 | Yoke Spring | TGT0903 | One-Piece Frame | TGT0962 | Quick Change Cam Assembly (BFS50) (accessory) |
| TGT0865 | Lever Click | TGT0904 | Brake Ring | TGT0963 | Quick Change Cam Assembly (WMS) (accessory) |
| TGT0867 | Screw | TGT0905 | Spacer | TGT0964 | Quick Change Cam Assembly (KFS) (accessory) |
| TGT0868 | Lever Thrust Ring | TGT0906 | Click Spring | TGT0965 | Quick Change Cam Assembly (CFS) (accessory) |
| TGT0869 | Washer | TGT0907 | Click Spring Holder | TGT0967 | Quick Change Cam Assembly (LRS) (accessory) |
| TGT0870 | Strike Stop | TGT0908 | Left Side Plate | TGT1080 | Quick Change Cam Assembly (SFS) (accessory) |
| TGT0871 | Pressure Spring | TGT0909 | Click Button | | |
| TGT0872 | Right Side Plate B | TGT0966 | Screw | TGT1081 | Handle (accessory) |
| TGT0873 | Free Spool Detent | TGT1167 | Screw | | |
| TGT0874 | Gear Shaft Shield | TGT1197 | Drag Control Lever | TGT0863 | Drag Control Lever (before change) |
| TGT0875 | Washer | TGT1198 | Lever Click Cover | TGT0866 | Lever Click Cover (before change) |