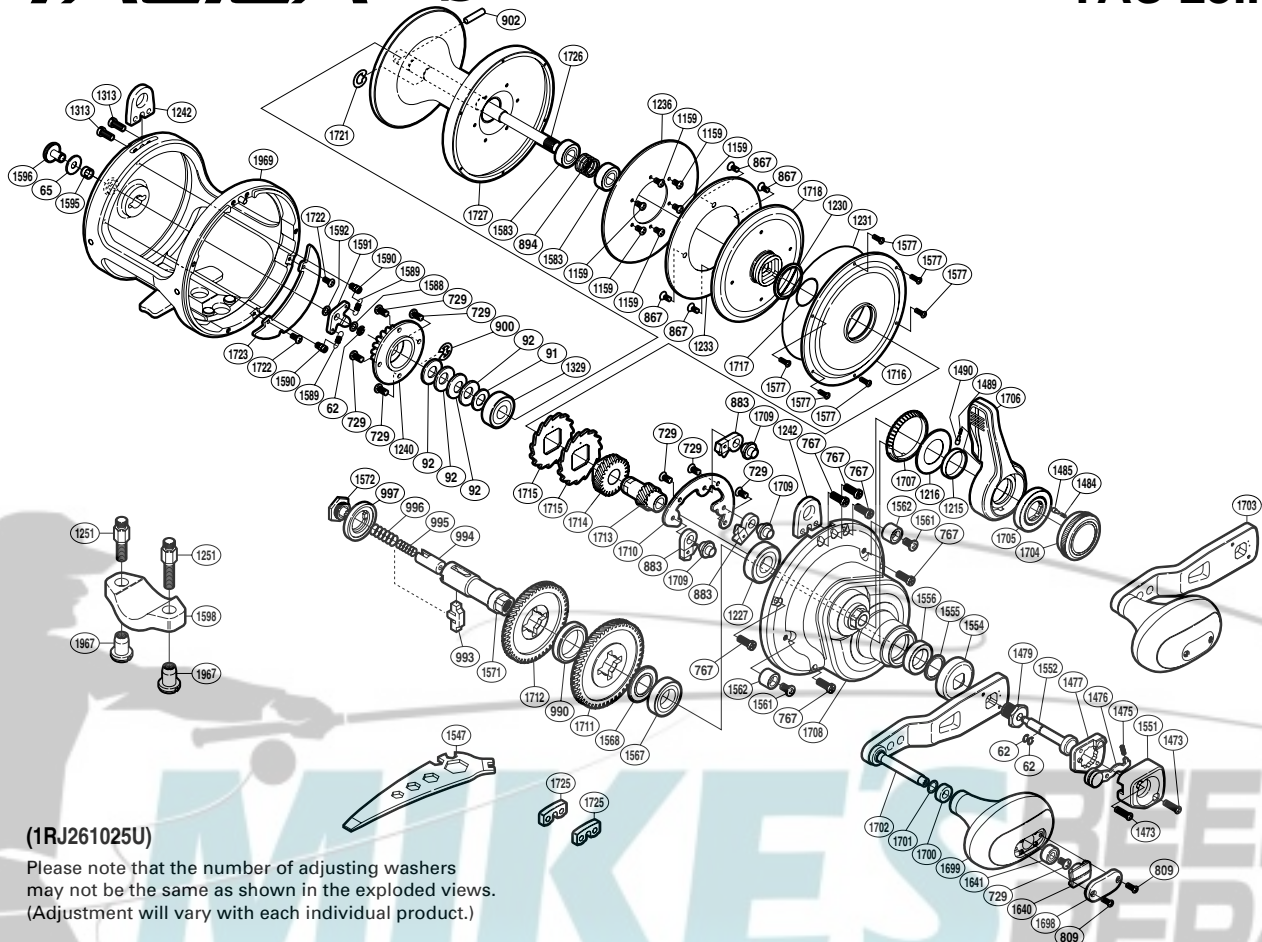


SHIMANO

TALICA S A-RB

TAC-25II



(1RJ261025U)

Please note that the number of adjusting washers may not be the same as shown in the exploded views. (Adjustment will vary with each individual product.)

Part No.	Description	Part No.	Description	Part No.	Description
TGT0062	E Lock	TGT1476	Slide Plate	TGT1701	Washer
TGT0065	Spacer	TGT1477	Handle Bolt Plate	TGT1702	Handle Shank Assembly
TGT0091	Bearing Thrust Washer	TGT1479	Handle Bolt	TGT1703	Handle Assembly
TGT0092	Coned Disc Spring	TGT1484	Click Spring	TGT1704	Pre-Program Dial
TGT0729	Screw	TGT1485	Click Pin	TGT1705	Lever Shaft Body
TGT0767	Screw	TGT1489	Lever Click Shoe	TGT1706	Drag Control Lever
TGT0809	Screw	TGT1490	Lever Click	TGT1707	Lever Click Gear
TGT0867	Screw	TGT1551	Push Button Shield	TGT1708	Right Side Plate
TGT0883	Anti-Reverse Pawl	TGT1552	Push Low Button Shaft	TGT1709	Anti-Reverse Pawl Pin
TGT0894	Pressure Release Spring	TGT1554	Drive Shaft Shield	TGT1710	Anti-Reverse Pawl Keeper
TGT0900	E Lock	TGT1555	Washer	TGT1711	Drive Gear A
TGT0902	Cross Pin	TGT1556	Drive Gear Bushing	TGT1712	Drive Gear B
TGT0990	Friction Washer	TGT1561	Screw	TGT1713	Pinion Gear A
TGT0993	Gear Select Cross Bar	TGT1562	Bolt Shield	TGT1714	Pinion Gear B
TGT0994	Cross Bar Stop	TGT1567	Ball Bearing	TGT1715	Anti-Reverse Ratchet
TGT0995	Drive Shaft Spring B	TGT1568	Drive Gear Washer	TGT1716	Cooling Shield
TGT0996	Drive Shaft Spring	TGT1571	Drive Shaft	TGT1717	Pinion Guard Support
TGT0997	Friction Washer	TGT1572	Drive Shaft Screw	TGT1718	Pinion Guard
TGT1159	Screw	TGT1577	Screw	TGT1721	C Lock
TGT1215	Lever Thrust Ring	TGT1583	Ball Bearing	TGT1722	Screw
TGT1216	Washer	TGT1588	Spacer	TGT1723	Set Plate
TGT1227	Ball Bearing	TGT1589	Click Pawl Spring	TGT1726	Spool Shaft
TGT1230	Waterproof Ring	TGT1590	Click Spring Shaft	TGT1727	Spool
TGT1231	O Ring	TGT1591	Click Pawl	TGT1969	One-Piece Frame
TGT1233	Drag Plate	TGT1592	Spacer		
TGT1236	Drag Washer	TGT1595	Click Switch Cam		
TGT1239	Ball Bearing	TGT1596	Click Button	TGT1251	Rod Clamp Bolt (accessory)
TGT1240	Click Gear Support	TGT1640	Handle Knob Seal	TGT1598	Rod Clamp (accessory)
TGT1242	Harness Lug	TGT1641	Ball Bearing	TGT1967	Rod Clamp Nut (accessory)
TGT1313	Screw	TGT1698	Handle Knob I.D. Plate		
TGT1473	Screw	TGT1699	Handle Knob	TGT1547	Wrench (accessory)
TGT1475	Slide Plate Spring	TGT1700	Handle Knob Bushing	TGT1725	Harness Lug Plug (accessory)