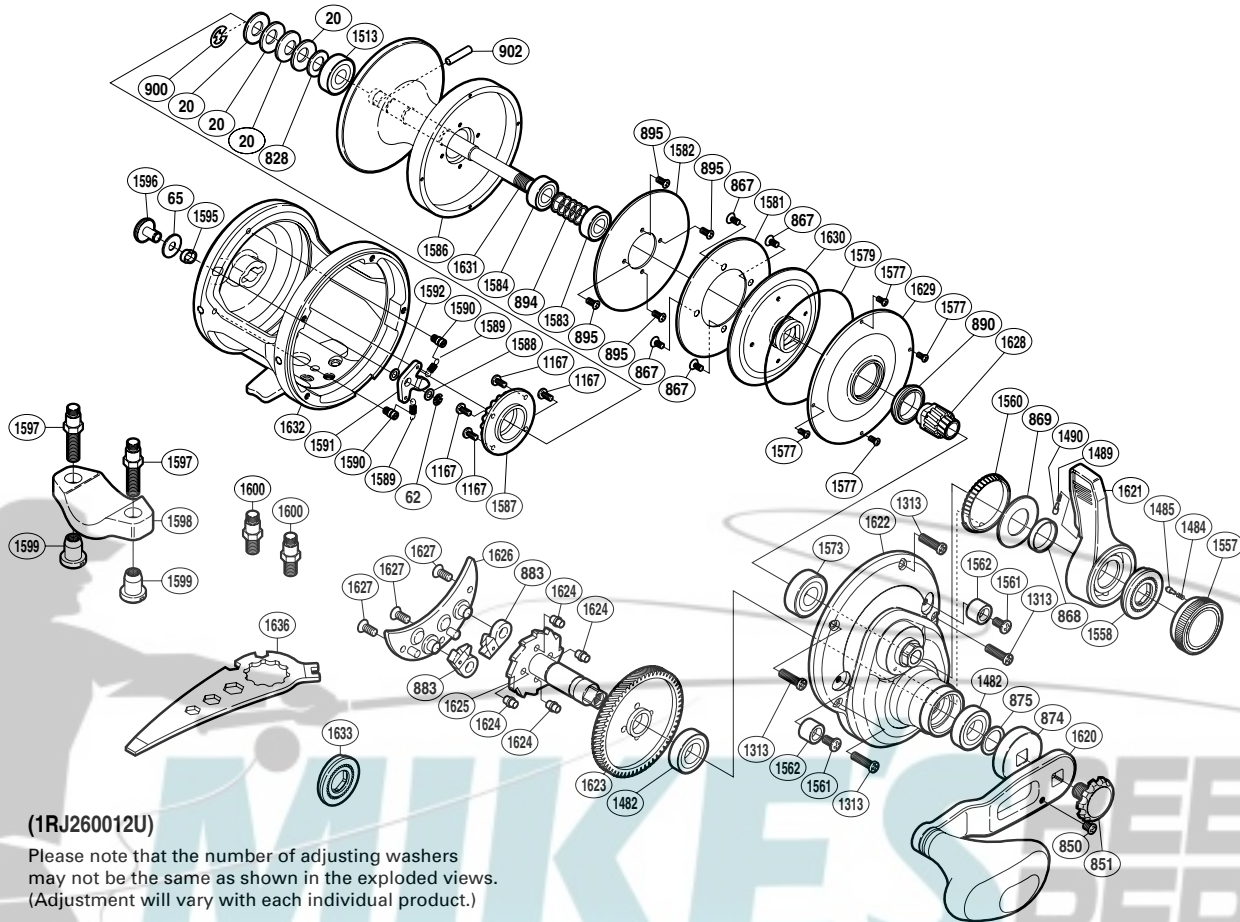


SHIMANO

TALICA S A-RB

TAC-12



(1RJ260012U)

Please note that the number of adjusting washers may not be the same as shown in the exploded views. (Adjustment will vary with each individual product.)

| Part No. | Description | Part No. | Description | Part No. | Description |
|----------|-------------------------|----------|--------------------|----------|------------------------------------|
| TGT0020 | Coned Disc Spring | TGT1490 | Lever Click | TGT1620 | Handle |
| TGT0062 | E Lock | TGT1513 | Ball Bearing | TGT1621 | Drag Control Lever |
| TGT0065 | Spacer | TGT1557 | Pre-Program Dial | TGT1622 | Right Side Plate |
| TGT0828 | Bearing Thrust Washer | TGT1558 | Lever Shaft Body | TGT1623 | Drive Gear |
| TGT0850 | Screw | TGT1560 | Lever Click Gear | TGT1624 | Anti-Reverse Ratchet Pin |
| TGT0851 | Handle Bolt | TGT1561 | Screw | TGT1625 | Anti-Reverse Ratchet |
| TGT0867 | Screw | TGT1562 | Bolt Shield | TGT1626 | Set Plate |
| TGT0868 | Lever Thrust Ring | TGT1573 | Ball Bearing | TGT1627 | Screw |
| TGT0869 | Washer | TGT1577 | Screw | TGT1628 | Pinion Gear |
| TGT0874 | Gear Shaft Shield | TGT1579 | O Ring | TGT1629 | Cooling Shield |
| TGT0875 | Washer | TGT1581 | Drag Plate | TGT1630 | Pinion Guard |
| TGT0883 | Anti-Reverse Pawl | TGT1582 | Drag Washer | TGT1631 | Spool Shaft |
| TGT0890 | Waterproof Ring | TGT1583 | Ball Bearing | TGT1632 | One-Piece Frame |
| TGT0894 | Pressure Release Spring | TGT1584 | Ball Bearing | | |
| TGT0895 | Screw | TGT1586 | Spool | | |
| TGT0900 | E Lock | TGT1587 | Click Gear Support | TGT1597 | Rod Clamp Bolt (accessory) |
| TGT0902 | Cross Pin | TGT1588 | Spacer | TGT1598 | Rod Clamp (accessory) |
| TGT1167 | Screw | TGT1589 | Click Pawl Spring | TGT1599 | Rod Clamp Nut (accessory) |
| TGT1313 | Screw | TGT1590 | Click Spring Shaft | TGT1600 | Rod Clamp Bolt S (accessory) |
| TGT1482 | Ball Bearing | TGT1591 | Click Pawl | | |
| TGT1484 | Click Spring | TGT1592 | Spacer | TGT1636 | Wrench (accessory) |
| TGT1485 | Click Pin | TGT1595 | Click Switch Cam | | |
| TGT1489 | Lever Click Shoe | TGT1596 | Click Button | TGT1633 | Lever Shaft Body (SFS) (accessory) |