

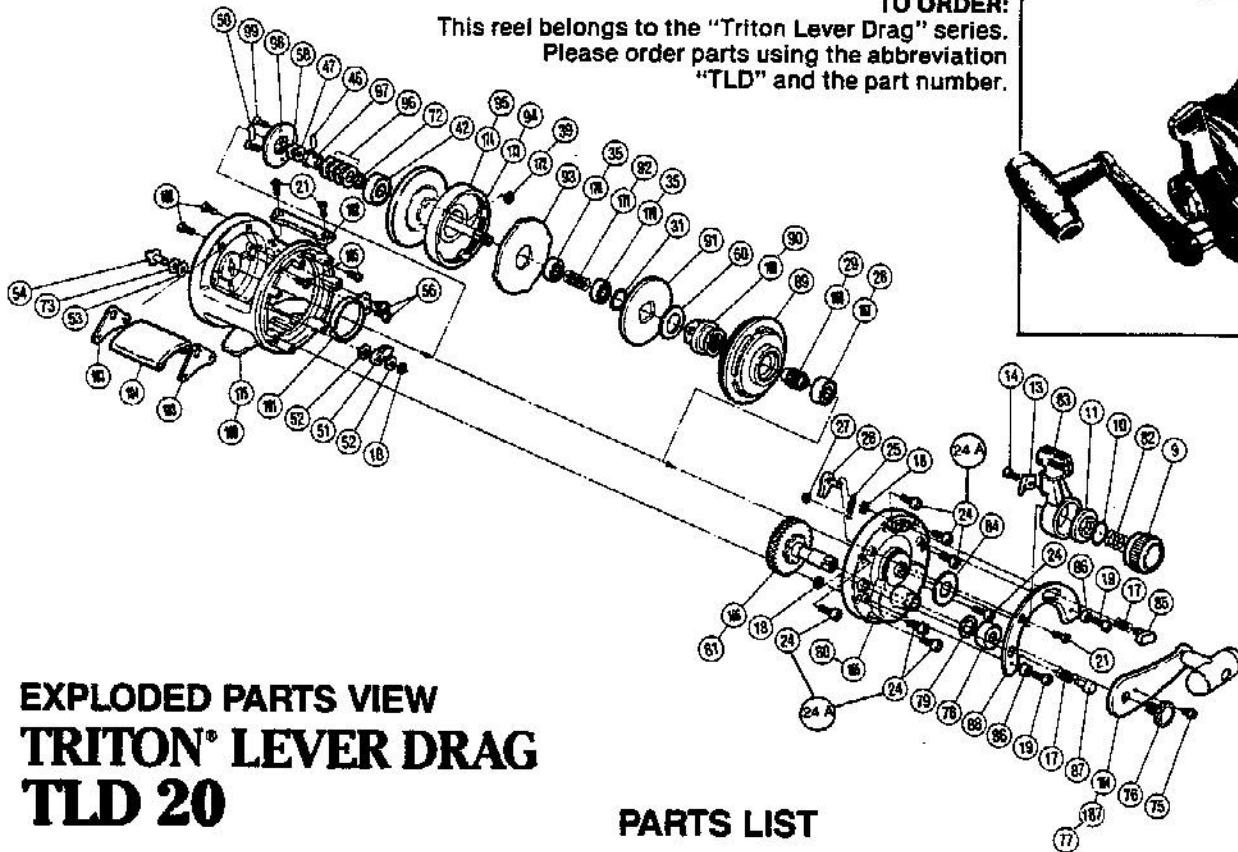
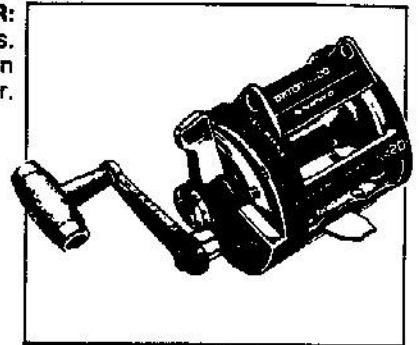
SHIMANO®

1987 REPAIR MANUAL

Shimano American Corporation, One Shimano Dr.
Irvine, CA 92718

TO ORDER:

This reel belongs to the "Triton Lever Drag" series.
Please order parts using the abbreviation
"TLD" and the part number.



EXPLODED PARTS VIEW TRITON® LEVER DRAG TLD 20

PARTS LIST

PART # DESCRIPTION

- 9. Pre-Program Dial
- 10. Body "O" Seal
- 11. Lever Shaft Body
- 13. Lever Click Spring
- 14. Click Spring Screw
- 17. Pressure Spring
- 18. "C" Lock
- 19. Quadrant Anchor Bolt
- 21. Quadrant/Line Guard Screw
- 24. Side Plate Bolt
- 24 A. Side Plate Bolt (Oversize)
- 25. Dog Spring
- 26. Dog
- 27. Dog Spring Retainer
- 28. Ball Bearing (with grease)
- 29. Pinion Gear
- 31. Seal Lock
- 35. Ball Bearing
- 39. "C" Lock
- 42. Ball Bearing (with oil)
- 46. Cross Pin A
- 47. Spacer A
- 50. Cross Pin B
- 51. Click Pawl
- 52. Click Pawl Washer
- 53. Click Button Washer A
- 54. Click Button
- 56. Click Spring Screw

PART # DESCRIPTION

- 58. Spacer B
- 60. Pre-Load Spring A
- 72. Pre-Load Washer A
- 73. Click Button Washer B
- 75. Handle Screw (B)
- 76. Handle Screw (A)
- 77. Handle
- 78. Gear Shaft Shield
- 79. Gear Shaft Thrust Washer
- 80. Side Plate
- 81. Main Gear
- 82. Dial Spring
- 83. Drag Control Lever
- 84. Lever Thrust Ring
- 85. Strike Stop
- 86. Bolt Shield
- 87. Free Spool Detent
- 88. Lever Quadrant
- 89. Cooling Shield
- 90. Pinion Guard
- 91. Drag Plate
- 92. Pressure Release Spring
- 93. Titanium Drag Washer
- 94. Main Shaft
- 95. Spool
- 96. Pre-Load Spring B
- 97. Pre-Load Body
- 98. Click Gear

PART # DESCRIPTION

- 99. Click Gear Screw
- 100. One-Piece Body
- 101. Click Spring
- 102. Line Guard
- 103. Harness Lug
- 104. Cross Bar
- 105. Cross Bar Bolt A
- 106. Cross Bar Bolt B

Below parts are for the 3.6:1 gear ratio model, only.
Check the decal on the reel when ordering parts.

PART # DESCRIPTION

- 164. Handle (original)
- 165. Side Plate
- 166. Main Gear
- 167. Ball Bearing
- 168. Pinion Gear
- 169. Pinion Guard
- 170. Ball Bearing
- 171. Pressure Release Spring
- 172. "C" Lock
- 173. Main Shaft
- 174. Spool
- 175. One-Piece Body
- 187. Handle, (long shank)

Prices and specifications subject to change without notice.

JUNE 1986