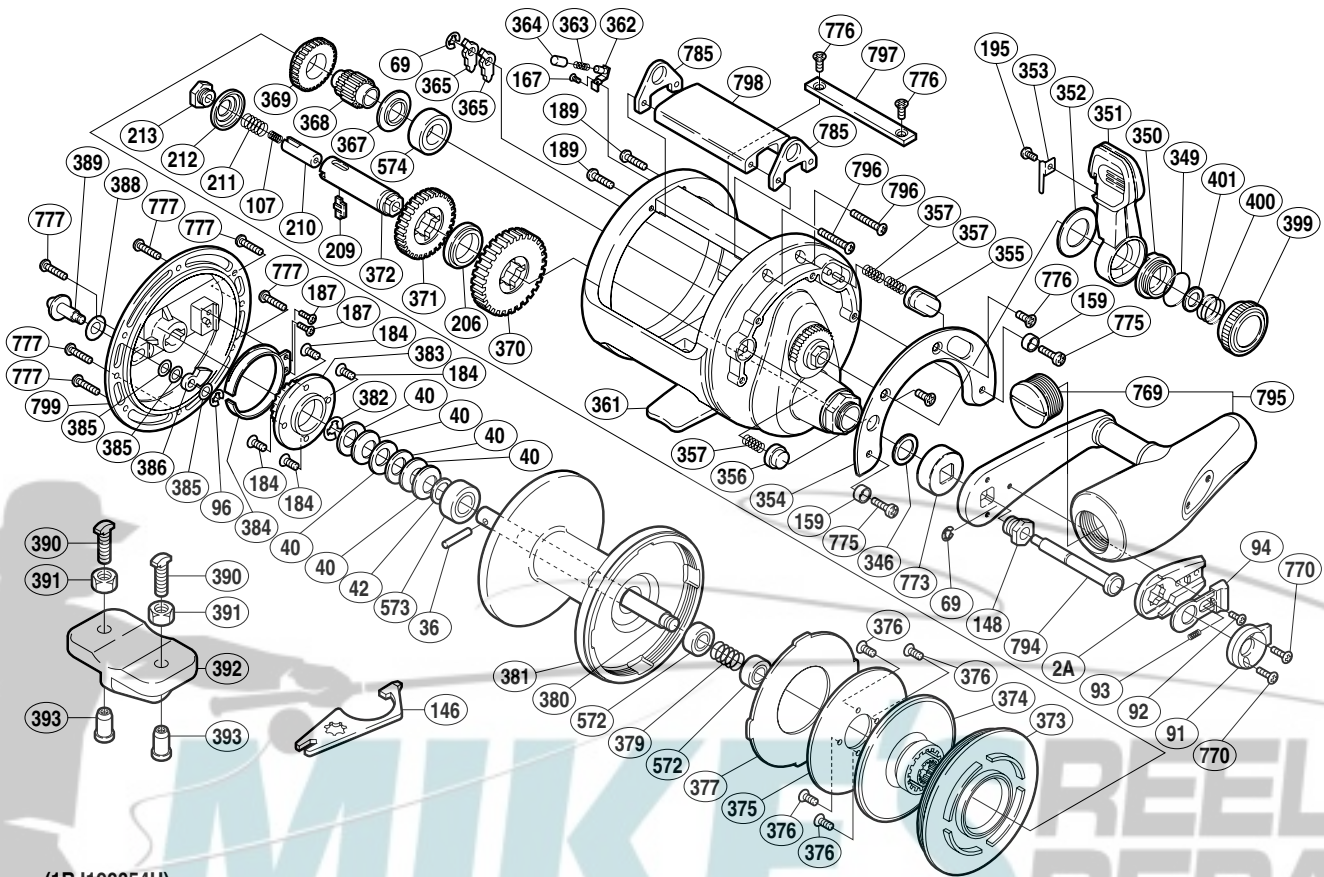


SHIMANO

TLD-2SPEED 

TLD2S-50A



(1RJ190054U)

Part No.	Description	Part No.	Description	Part No.	Description
TT 0002A	Handle Bolt Plate	TT 0353	Lever Click Spring	TT 0388	Washer
TT 0036	Cross Pin	TT 0354	Lever Quadrant	TT 0389	Click Button
TT 0040	Pre-Load Spring	TT 0355	Strike Stop	TT 0399	Pre-Program Dial
TT 0042	Bearing Thrust Washer	TT 0356	Free Spool Detent	TT 0400	Dial Spring
TT 0069	E Lock	TT 0357	Pressure Spring	TT 0401	Washer
TT 0091	Push Button Shield	TT 0361	One-Piece Frame	TT 0572	Ball Bearing
TT 0092	Screw	TT 0362	Guard Against Dog	TT 0573	Ball Bearing
TT 0093	Slide Plate Spring	TT 0363	Dog Spring	TT 0574	Ball Bearing
TT 0094	Slide Plate	TT 0364	Dog Spring Guide	TT 0769	Handle Knob Bushing
TT 0096	E Lock	TT 0365	Dog	TT 0770	Screw
TT 0107	Drive Shaft Spring B	TT 0367	Pre-Load Washer	TT 0773	Drive Shaft Shield
TT 0148	Handle Bolt	TT 0368	Pinion Gear A	TT 0775	Screw
TT 0159	Screw Shield	TT 0369	Pinion Gear B	TT 0776	Screw
TT 0167	Screw	TT 0370	Drive Gear A	TT 0777	Screw
TT 0184	Screw	TT 0371	Drive Gear B	TT 0785	Harness Lug
TT 0187	Screw	TT 0372	Drive Shaft	TT 0794	Push LOW Button Shaft
TT 0189	Screw	TT 0373	Cooling Shield	TT 0795	Handle Assembly
TT 0195	Screw	TT 0374	Drag Set Plate	TT 0796	Screw
TT 0206	Friction Washer	TT 0375	Drag Plate	TT 0797	Line Guard
TT 0209	Gear Select Cross Bar	TT 0376	Screw	TT 0798	Cross Bar
TT 0210	Cross Bar Stop	TT 0377	Drag Washer	TT 0799	Left Side Plate
TT 0211	Drive Shaft Spring	TT 0379	Pressure Release Spring		
TT 0212	Friction Washer	TT 0380	Main Shaft		
TT 0213	Drive Shaft Screw	TT 0381	Spool	TT 0390	Rod Clamp Bolt (Accessory)
TT 0346	Friction Washer	TT 0382	E Lock	TT 0391	Rod Clamp Nut B (Accessory)
TT 0349	O Ring	TT 0383	Click Gear	TT 0392	Rod Clamp (Accessory)
TT 0350	Lever Shaft Body	TT 0384	Click Spring	TT 0393	Rod Clamp Nut A (Accessory)
TT 0351	Drag Control Lever	TT 0385	Washer		
TT 0352	Lever Thrust Washer	TT 0386	Click Pawl	TT 0146	Wrench (Accessory)

(181114)