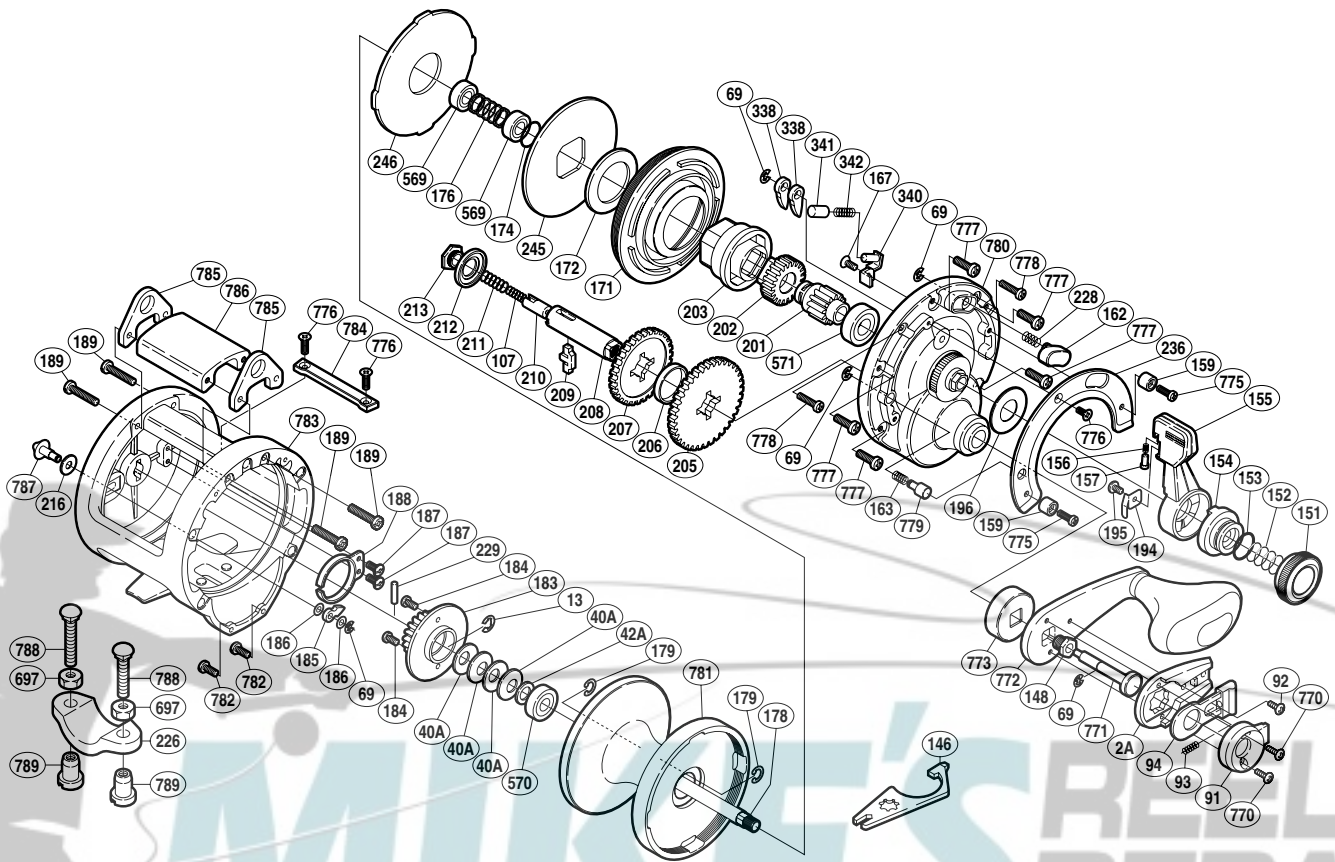


# SHIMANO

TLD-2SPEED



TLD2S-20A



(1R190022U)

Part No.	Description	Part No.	Description	Part No.	Description
TT 0002A	Handle Bolt Plate	TT 0184	Screw	TT 0341	Dog Spring Guide
TT 0013	E Lock	TT 0185	Click Pawl	TT 0342	Dog Spring
TT 0040A	Pre-Load Spring B	TT 0186	Washer	TT 0569	Ball Bearing
TT 0042A	Bearing Thrust Washer	TT 0187	Screw	TT 0570	Ball Bearing
TT 0069	E Lock	TT 0188	Click Spring	TT 0571	Ball Bearing
TT 0091	Push Button Shield	TT 0189	Screw	TT 0770	Screw
TT 0092	Screw	TT 0194	Lever Click Spring	TT 0771	Push LOW Button Shaft
TT 0093	Slide Plate Spring	TT 0195	Screw	TT 0772	Handle Assembly
TT 0094	Slide Plate	TT 0196	Lever Thrust Washer	TT 0773	Drive Shaft Shield
TT 0107	Drive Shaft Spring B	TT 0201	Pinion Gear A	TT 0775	Screw
TT 0148	Handle Bolt	TT 0202	Pinion Gear B	TT 0776	Screw
TT 0151	Pre-Program Dial	TT 0203	Pinion Guard	TT 0777	Screw
TT 0152	Dial Spring	TT 0205	Drive Gear A	TT 0778	Screw
TT 0153	O Ring	TT 0206	Friction Washer	TT 0779	Free Spool Detent
TT 0154	Lever Shaft Body	TT 0207	Drive Gear B	TT 0780	Right Side Plate
TT 0155	Drag Control Lever (#30)	TT 0208	Drive Shaft	TT 0781	Spool
TT 0156	Friction Shoe Spring	TT 0209	Gear Select Cross Bar	TT 0782	Screw
TT 0157	Friction Shoe	TT 0210	Cross Bar Stop	TT 0783	One-Piece Frame
TT 0159	Screw Shield	TT 0211	Drive Shaft Spring	TT 0784	Line Guard
TT 0162	Strike Stop	TT 0212	Friction Washer	TT 0785	Harness Lug
TT 0163	Pressure Spring	TT 0213	Drive Shaft Screw	TT 0786	Cross Bar
TT 0167	Screw	TT 0216	Washer	TT 0787	Click Button
TT 0171	Cooling Shield	TT 0228	Pressure Spring		
TT 0172	Pre-Load Spring A	TT 0229	Cross Pin	TT 0226	Rod Clamp (accessory)
TT 0174	Seal Lock	TT 0236	Lever Quadrant	TT 0697	Rod Clamp Nut B (accessory)
TT 0176	Pressure Release Spring	TT 0245	Drag Plate	TT 0788	Rod Clamp Bolt (accessory)
TT 0178	Main Shaft	TT 0246	Drag Washer	TT 0789	Rod Clamp Nut A (accessory)
TT 0179	C Lock	TT 0338	Dog		
TT 0183	Click Gear	TT 0340	Guard Against Dog	TT 0146	Wrench (accessory)

(190423)