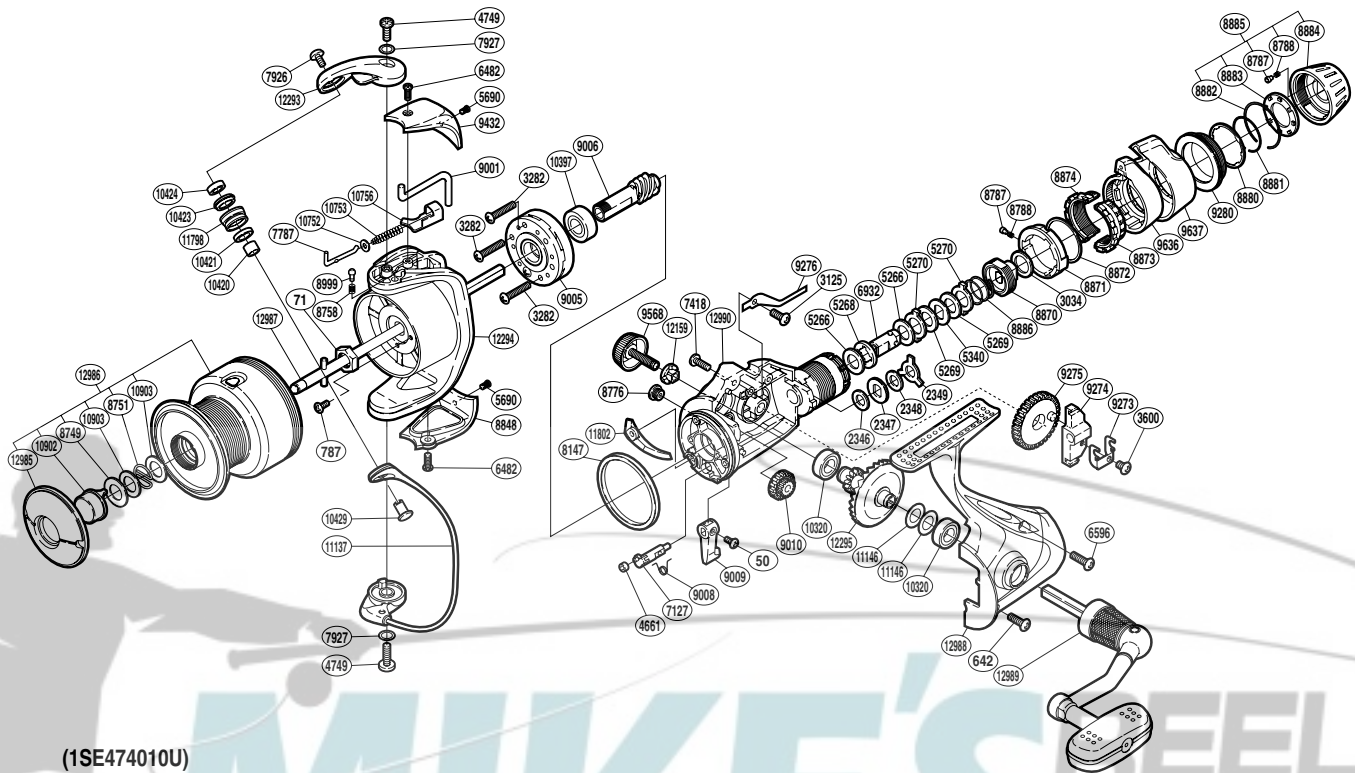


SHIMANO

SYMETRE A-RB

SY-4000RJ



(1SE474010U)

Please note that the number of adjusting washers may not be the same as shown in the exploded views. (Adjustment will vary with each individual product.)

Part No.	Description	Part No.	Description	Part No.	Description
RD 0050	Screw	RD 8751	Locking Spring	RD 9432	Bail Spring Cover
RD 0071	Rotor Nut	RD 8758	Click Spring	RD 9568	Handle Screw Cap
RD 0642	Screw	RD 8776	Oil Cap	RD 9636	Fightin' Lever Inner A
RD 0787	Screw	RD 8787	Click Pin	RD 9637	Fightin' Lever Outer
RD 2346	Drag Washer	RD 8788	Click Spring	RD10320	Ball Bearing
RD 2347	Click Gear	RD 8848	Bail Hold Support Guard	RD10397	Ball Bearing
RD 2348	Drag Washer	RD 8870	Pressure Screw	RD10420	Bearing Spacer
RD 2349	Eared Washer	RD 8871	Lever Click Gear	RD10421	Line Roller Collar
RD 3034	Spacer	RD 8872	Fightin' Pressure Screw Washer	RD10423	Line Roller Bushing
RD 3125	Screw	RD 8873	Fightin' Pressure Screw	RD10424	Ball Bearing
RD 3282	Screw	RD 8874	Fightin' Pressure Screw B	RD10429	Line Roller Support
RD 3600	Screw	RD 8880	Drag Knob Washer	RD10752	Spring Guide A Support
RD 4661	Anti-Reverse Cam Ring	RD 8881	Drag Knob Retainer	RD10753	Bail Spring
RD 4749	Screw	RD 8882	Click Plate Retainer	RD10756	Bail Spring Seat
RD 5266	Drag Washer	RD 8883	Click Plate	RD10902	Push Button
RD 5268	Drag Shaft B	RD 8884	Drag Programmer A	RD10903	Washer
RD 5269	Drag Washer	RD 8885	Drag Programmer Assembly	RD11137	Bail Assembly
RD 5270	Eared Washer	RD 8886	Drag Coil Spring	RD11146	Washer
RD 5340	Key Washer	RD 8999	Click Pin	RD11798	Line Roller
RD 5690	Screw	RD 9001	Bail Trip Lever	RD11802	Bail Trip Strike
RD 6482	Screw	RD 9005	Roller Clutch Assembly	RD12159	Handle Screw Lock Washer
RD 6596	Screw	RD 9006	Pinion Gear	RD12293	Bail Arm
RD 6932	Drag Shaft A	RD 9008	Anti-Reverse Cam Spring	RD12294	Rotor
RD 7127	Anti-Reverse Cam	RD 9009	Anti-Reverse Lever	RD12295	Drive Gear
RD 7418	Screw	RD 9010	Idle Gear	RD12985	Push Button Collar
RD 7787	Bail Spring Guide A	RD 9273	Oscillating Slider Retainer	RD12986	Spool Assembly
RD 7926	Screw	RD 9274	Oscillating Slider	RD12987	Main Shaft
RD 7927	Washer	RD 9275	Oscillating Gear	RD12988	Side Cover
RD 8147	Friction Ring	RD 9276	Drag Click	RD12989	Handle Assembly
RD 8749	Washer	RD 9280	Drag Programmer B	RD12990	Body