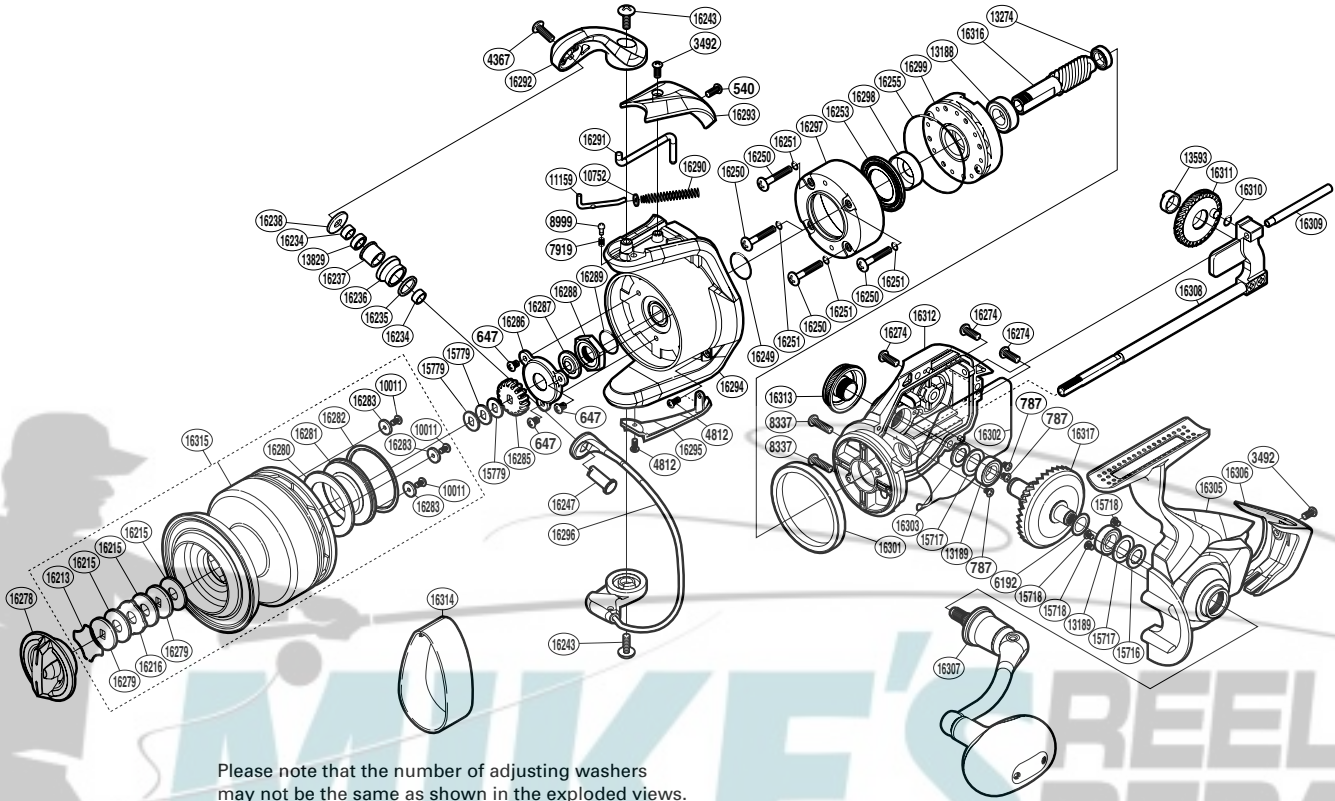


SHIMANO

Saragosa SA-RB

SRG-10000SW



(51SE778501U)

Please note that the number of adjusting washers may not be the same as shown in the exploded views. (Adjustment will vary with each individual product.)

| Part No. | Description | Part No. | Description | Part No. | Description |
|----------|--------------------------|----------|---------------------------|----------|---------------------------------|
| RD 0540 | Screw | RD16235 | Line Roller Spacer | RD16293 | Bail Spring Cover |
| RD 0647 | Screw | RD16236 | Line Roller | RD16294 | Rotor |
| RD 0787 | Screw | RD16237 | Line Roller Bushing | RD16295 | Bail Hold Support Guard |
| RD 3492 | Screw | RD16238 | Line Roller Washer | RD16296 | Bail Assembly |
| RD 4367 | Screw | RD16243 | Screw | RD16297 | Roller Clutch Water Proof Cover |
| RD 4812 | Screw | RD16247 | Line Roller Support | RD16298 | Rotor Ring |
| RD 6192 | Washer | RD16249 | O Ring | RD16299 | Roller Clutch Assembly |
| RD 7919 | Click Spring | RD16250 | Screw | RD16301 | Friction Ring |
| RD 8337 | Screw | RD16251 | O Ring | RD16302 | Body Seal |
| RD 8999 | Click Pin | RD16253 | Roller Clutch Water Proof | RD16303 | Bearing Water Proof |
| RD10011 | Screw | RD16255 | O Ring | RD16305 | Side Cover |
| RD10752 | Spring Guide A Support | RD16274 | Screw | RD16306 | Rear Protector |
| RD11159 | Bail Spring Guide A | RD16278 | Drag Knob | RD16307 | Handle Assembly |
| RD13188 | Ball Bearing | RD16279 | Key Washer | RD16308 | Main Shaft Assembly |
| RD13189 | Ball Bearing | RD16280 | Drag Washer | RD16309 | Oscillating Guide |
| RD13274 | Ball Bearing | RD16281 | Spool Drag Disk | RD16310 | O Ring |
| RD13593 | Oscillating Gear Bushing | RD16282 | Spool Drag Disk Seal | RD16311 | Oscillating Gear |
| RD13829 | Ball Bearing | RD16283 | Washer | RD16312 | Body |
| RD15716 | Bearing Water Proof | RD16285 | Spool Support | RD16313 | Handle Screw Cap |
| RD15717 | Washer | RD16286 | Nut Lock Plate | RD16315 | Spool Assembly |
| RD15718 | Screw | RD16287 | Bearing Water Proof | RD16316 | Pinion Gear |
| RD15779 | Spool Washer | RD16288 | Rotor Nut | RD16317 | Drive Gear |
| RD16213 | Drag Washers Retainer | RD16289 | O Ring | | |
| RD16215 | Drag Washer | RD16290 | Bail Spring | | |
| RD16216 | Eared Washer | RD16291 | Bail Trip Lever | | |
| RD16234 | Line Roller Collar | RD16292 | Bail Arm | RD16314 | Line Band (accessory) |