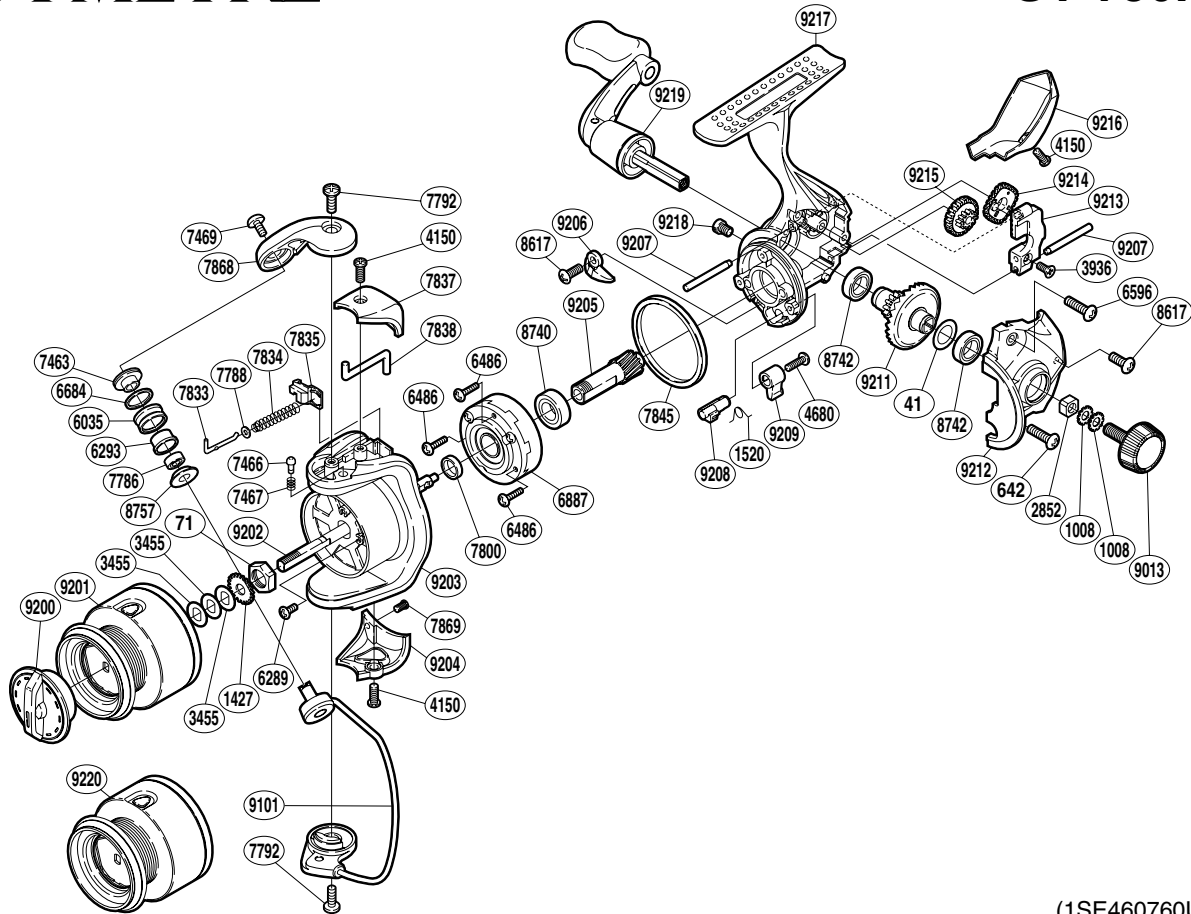


SHIMANO®

SYMETRE A-RB

SY-750FI



(1SE460760U)

Part No.	Description	Part No.	Description	Part No.	Description
RD 0041	Drive Gear Washer	RD 7467	Click Spring	RD 9200	Drag Knob
RD 0071	Rotor Nut	RD 7469	Line Roller Screw	RD 9201	Spool Assembly
RD 0642	Side Cover Screw	RD 7786	Ball Bearing	RD 9202	Main Shaft
RD 1008	Handle Lock Washer	RD 7788	Spring Guide (A) Support	RD 9203	Rotor
RD 1427	Spool Support	RD 7792	Multi-Purpose Screw	RD 9204	Bail Hold Support Guard
RD 1520	Anti-Reverse Cam Spring	RD 7800	Rotor Ring	RD 9205	Pinion Gear
RD 2852	Handle Screw Lock	RD 7833	Bail Spring Guide (A)	RD 9206	Bail Trip Strike
RD 3455	Spool Washer	RD 7834	Bail Spring	RD 9207	Oscillating Guide
RD 3936	Slider Retainer Screw	RD 7835	Bail Spring Seat	RD 9208	Anti-Reverse Cam
RD 4150	Protector Screw (A)	RD 7837	Bail Spring Cover	RD 9209	Anti-Reverse Lever
RD 4680	Anti-Reverse Lever Screw	RD 7838	Bail Trip Lever	RD 9211	Drive Gear
RD 6035	Line Roller	RD 7845	Friction Ring	RD 9212	Side Cover
RD 6289	Nut Lock Screw	RD 7868	Bail Arm	RD 9213	Oscillating Slider
RD 6293	Line Roller Bushing	RD 7869	Protector Screw (B)	RD 9214	Oscillating Gear
RD 6486	Roller Clutch Screw	RD 8617	Multi-Purpose Screw	RD 9215	Idle Gear (B)
RD 6596	Side Cover Screw	RD 8740	Ball Bearing	RD 9216	Rear Protector
RD 6684	Line Roller Spacer	RD 8742	Ball Bearing	RD 9217	Body
RD 6887	Roller Clutch Assembly	RD 8757	Bearing Spacer	RD 9218	Oil Cap
RD 7463	Line Roller Washer	RD 9013	Handle Screw Cap	RD 9219	Handle Assembly
RD 7466	Click Pin	RD 9101	Bail Assembly	RD 9220	Spare Spool Assembly

(160624)