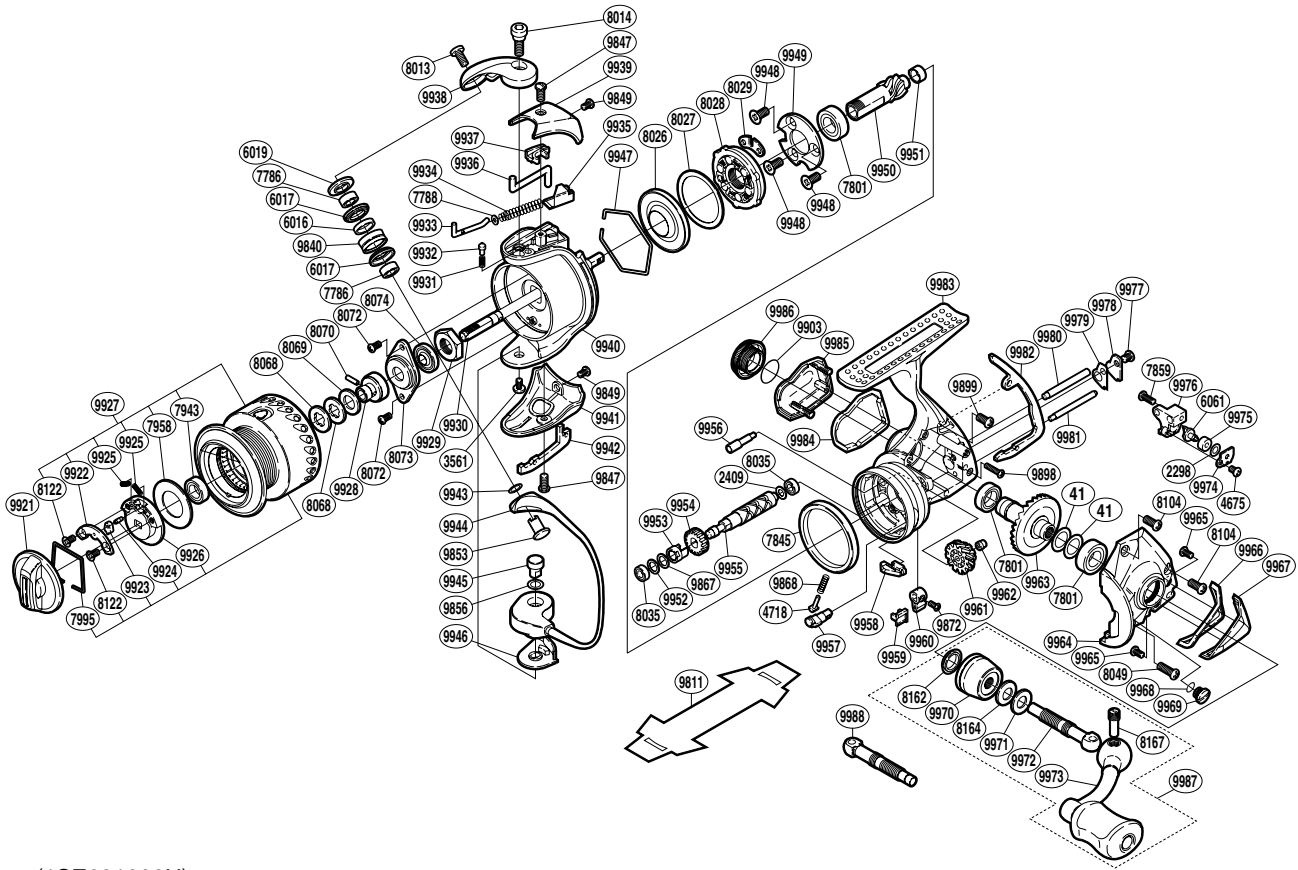


SHIMANO®

STELLA 

STL-1000FB



(1SE691002U)

Part No.	Description	Part No.	Description	Part No.	Description
RD 0041	Washer	RD 9849	Screw	RD 9952	Washer
RD 2298	Spacer	RD 9853	Line Roller Support	RD 9953	Worm Bushing
RD 2409	Spacer	RD 9856	Washer	RD 9954	Idle Gear
RD 3561	Screw	RD 9867	Washer	RD 9955	Worm Shaft
RD 4675	Screw	RD 9868	Anti-Reverse Cam Spring	RD 9956	Idle Gear B Shaft
RD 4718	Lever Spring Guide A	RD 9872	Screw	RD 9957	Anti-Reverse Cam
RD 6016	Bearing Spacer	RD 9898	Screw	RD 9958	Bail Trip Strike
RD 6017	Line Roller Bushing	RD 9899	Screw	RD 9959	Anti-Reverse Lever Cover
RD 6019	Line Roller Washer	RD 9903	O Ring	RD 9960	Anti-Reverse Lever
RD 6061	Oscillating Pawl	RD 9921	Drag Knob	RD 9961	Idle Gear B
RD 7786	Ball Bearing	RD 9922	Drag Click Holder Cover	RD 9962	Idle Gear B Shaft Bushing
RD 7788	Spring Guide A Support	RD 9923	Drag Click Plate	RD 9963	Drive Gear
RD 7801	Ball Bearing	RD 9924	Drag Click	RD 9964	Side Cover
RD 7810	Ball Bearing	RD 9925	Click Spring	RD 9965	Screw
RD 7845	Friction Ring	RD 9926	Drag Click Holder	RD 9966	Cover (for side cover)
RD 7859	Screw	RD 9927	Spool Assembly	RD 9967	Side Cover Guard
RD 7943	Ball Bearing	RD 9928	Bearing Bushing Assembly	RD 9968	O Ring
RD 7958	Drag Washer	RD 9929	Rotor Nut	RD 9969	Oil Cap
RD 7995	Drag Washers Retainer	RD 9930	Main Shaft	RD 9970	Handle Shaft Cover
RD 8013	Screw	RD 9931	Click Spring	RD 9971	Large Handle Shank Washer
RD 8014	Screw	RD 9932	Click Pin	RD 9972	Handle Shaft (left)
RD 8026	Roller Clutch Water Proof	RD 9933	Bail Spring Guide A	RD 9973	Handle
RD 8027	Roller Clutch Outer Spacer	RD 9934	Bail Spring	RD 9974	Oscillating Pawl Cover
RD 8028	Roller Clutch Assembly	RD 9935	Bail Spring Seat	RD 9975	Oscillating Slider Bushing
RD 8029	Clutch Insole	RD 9936	Bail Trip Lever	RD 9976	Oscillating Slider
RD 8035	Ball Bearing	RD 9937	Bail Trip Cover	RD 9977	Screw
RD 8049	Screw	RD 9938	Bail Arm	RD 9978	Worm Shaft Retainer
RD 8068	Spool Washer	RD 9939	Bail Spring Cover	RD 9979	Worm Shaft Retainer Washer
RD 8069	Main Shaft Set Pin Retainer	RD 9940	Rotor	RD 9980	Oscillating Guide A
RD 8070	Main Shaft Set Pin	RD 9941	Rotor Side Cover	RD 9981	Oscillating Guide B
RD 8072	Screw	RD 9942	Rotor Side Cover Guard	RD 9982	Rear Protector B
RD 8073	Rotor Nut Lock Plate	RD 9943	Washer	RD 9983	Body
RD 8074	Bearing Water Proof	RD 9944	Bail Assembly	RD 9984	Rear Shield
RD 8104	Screw	RD 9945	Bail Hold Support Shaft	RD 9985	Rear Protector A
RD 8122	Screw	RD 9946	Bail Hold Support Spacer	RD 9986	Handle Screw Cap
RD 8162	Handle Shaft Seal	RD 9947	Roller Clutch Water Proof Retainer	RD 9987	Handle Assembly
RD 8164	Coned Disc Spring	RD 9948	Screw		
RD 8167	Handle Shaft Screw	RD 9949	Bearing Retainer		
RD 9840	Line Roller	RD 9950	Pinion Gear	RD 9811	Reel Seat Spacer
RD 9847	Screw	RD 9951	Bushing	RD 9988	Handle Shaft (right)

(160906)