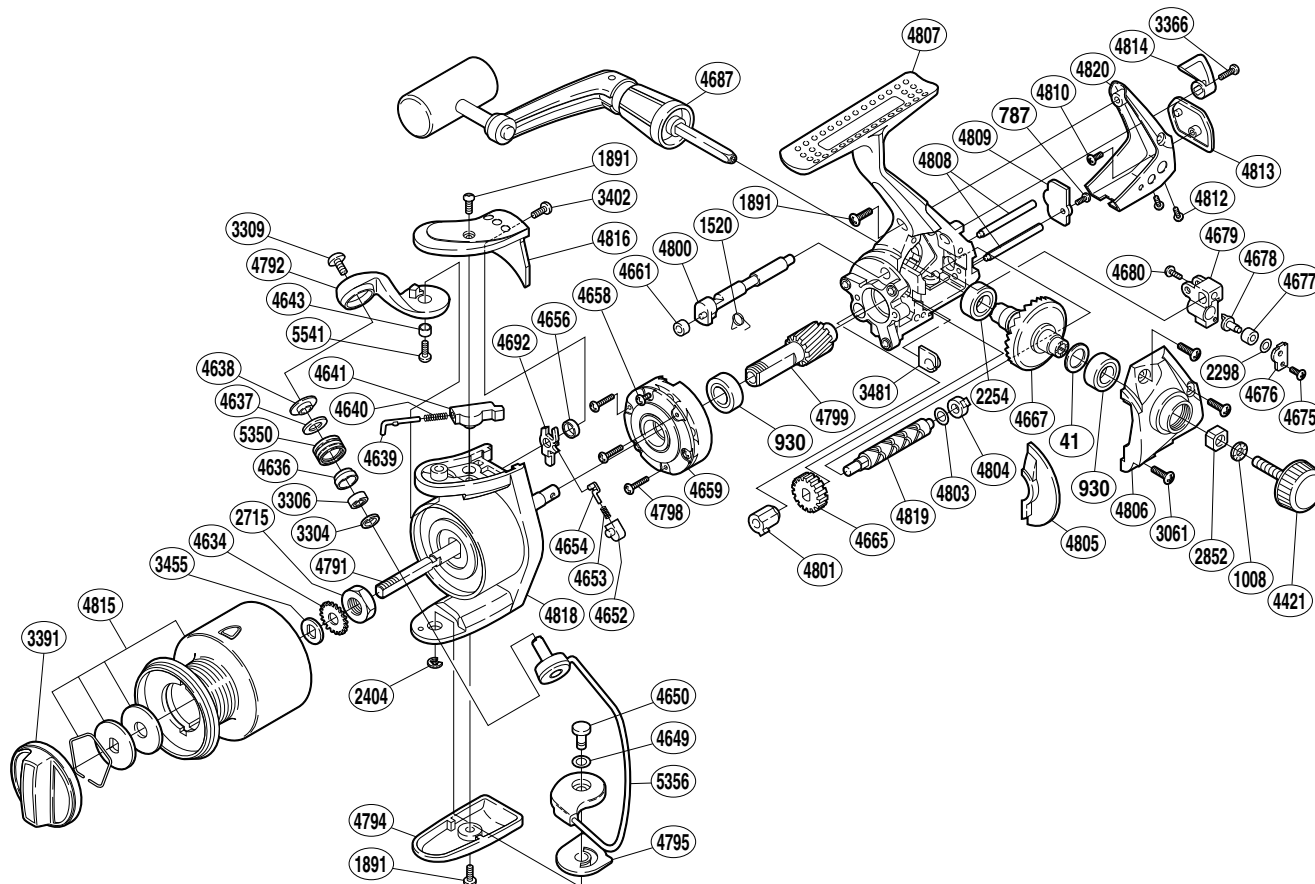


SHIMANO®

STRADIC®

ST-2000FE



Part No.	Description	Part No.	Description	Part No.	Description
RD 0041	Drive Gear Washer	RD 4639	Bail Spring Guide (A)	RD 4794	Bail Hold Support Guard
RD 0787	Worm Shaft Retainer Screw	RD 4640	Bail Spring	RD 4795	Bail Hold Support Spacer
RD 0930	Ball Bearing	RD 4641	Bail Spring Guide (B)	RD 4798	Roller Clutch Screw
RD 1008	Handle Lock Washer	RD 4643	Bail Arm Bushing	RD 4799	Pinion Gear
RD 1520	Anti-Reverse Cam Spring	RD 4649	Spacer	RD 4800	Anti-Reverse Cam
RD 1891	Multi-Purpose Screw	RD 4650	Bail Hold Support Shaft	RD 4801	Worm Bushing (front)
RD 2254	Ball Bearing	RD 4652	Lever Spring Guide (B)	RD 4803	Worm Shaft Spacer
RD 2298	Spacer	RD 4653	Lever Spring	RD 4804	Worm Bushing (rear)
RD 2404	"E" Lock	RD 4654	Lever Spring Guide (A)	RD 4805	Side Cover Flange
RD 2715	Rotor Nut	RD 4656	Trip Lever Spacer	RD 4806	Side Cover
RD 2852	Handle Screw Lock	RD 4658	Clutch Cover Screw	RD 4807	Body
RD 3061	Side Cover Screw	RD 4659	Roller Clutch Assembly	RD 4808	Oscillating Guide
RD 3304	Bearing Spacer	RD 4661	Anti-Reverse Cam Ring	RD 4809	Worm Shaft Retainer
RD 3306	Line Roller Bearing	RD 4665	Idle Gear	RD 4810	Rear Protector Screw
RD 3309	Line Roller Screw	RD 4667	Drive Gear	RD 4812	Rear Cover Screw (small)
RD 3366	Anti-Reverse Lever Screw	RD 4675	Oscillating Pawl Cover Screw	RD 4813	Rear Protector
RD 3391	Drag Knob	RD 4676	Oscillating Pawl Cover	RD 4814	Anti-Reverse Lever
RD 3402	Bail Spring Cover Screw (small)	RD 4677	Oscillating Slider Bushing	RD 4815	Spool Assembly
RD 3455	Spool Washer	RD 4678	Oscillating Pawl	RD 4816	Bail Spring Cover
RD 3481	Bushing	RD 4679	Oscillating Slider	RD 4818	Rotor
RD 4421	Handle Screw Cap	RD 4680	Slider Retainer Screw	RD 4819	Worm Shaft
RD 4634	Spool Support	RD 4687	Handle Assembly	RD 4820	Rear Cover
RD 4636	Line Roller Bushing	RD 4692	Bail Trip Lever	RD 5350	Line Roller
RD 4637	Line Roller Spacer	RD 4791	Main Shaft	RD 5356	Bail Assembly
RD 4638	Line Roller Washer	RD 4792	Bail Arm	RD 5541	Bail Arm Screw