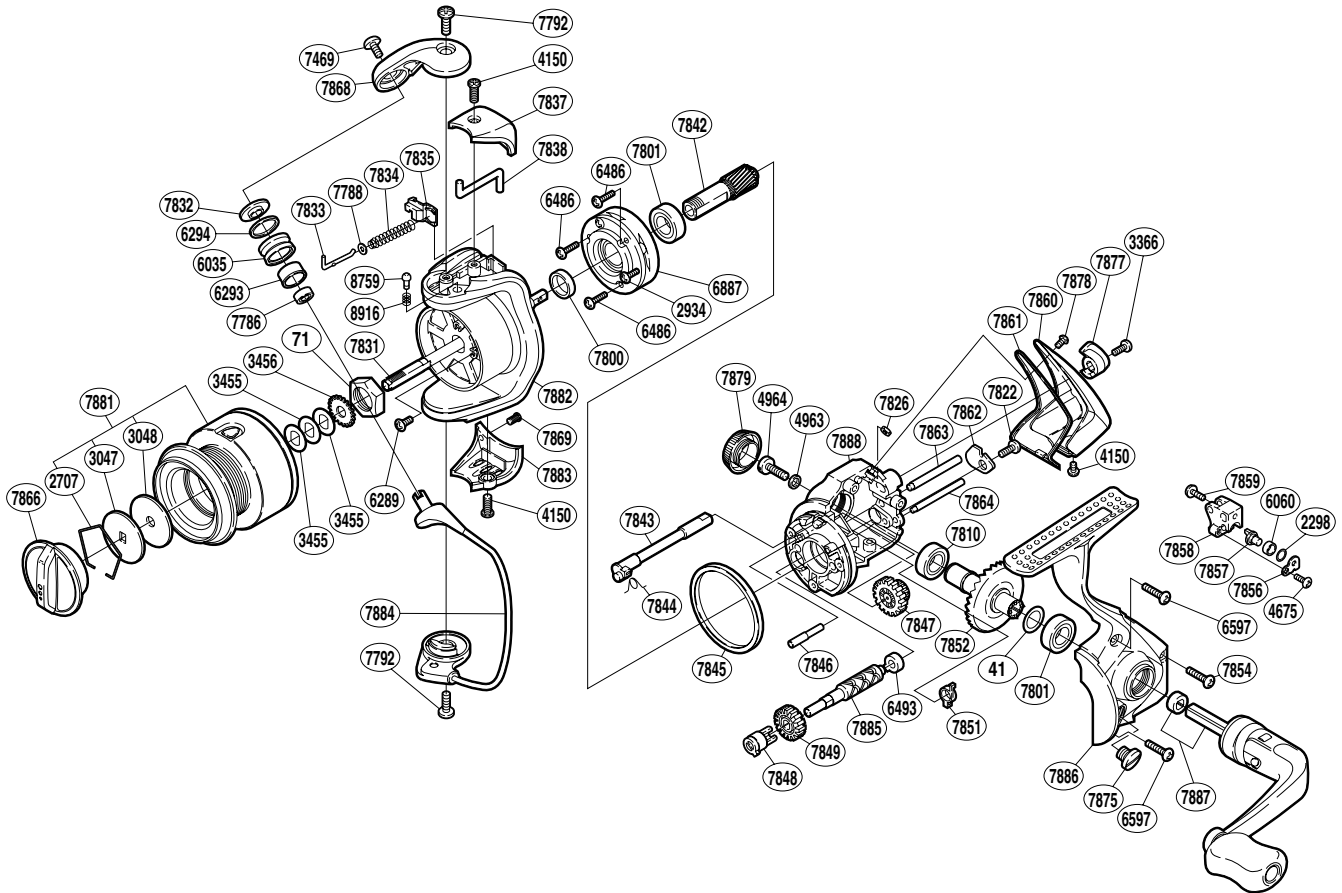


SHIMANO®

STRADIC®

ST-1000FH



Part No.	Description	Part No.	Description	Part No.	Description
RD0041	Drive Gear Washer	RD7792	Multi-Purpose Screw	RD7858	Oscillating Slider
RD0071	Rotor Nut	RD7800	Rotor Ring	RD7859	Slider Retainer Screw
RD2298	Spacer	RD7801	Ball Bearing	RD7860	Rear Protector
RD2707	Drag Washers Retainer	RD7810	Ball Bearing	RD7861	Rear Shield
RD2934	Clutch Cover Screw	RD7822	Worm Shaft Retainer Screw	RD7862	Worm Shaft Retainer
RD3047	Key Washer	RD7826	Rear Protector Nut	RD7863	Oscillating Guide (A)
RD3048	Drag Washer	RD7831	Main Shaft	RD7864	Oscillating Guide (B)
RD3366	Anti-Reverse Lever Screw	RD7832	Line Roller Washer	RD7866	Drag Knob
RD3455	Spool Washer	RD7833	Bail Spring Guide (A)	RD7868	Bail Arm
RD3456	Spool Support	RD7834	Bail Spring	RD7869	Bail Hold Support Guard Screw
RD4150	Multi-Purpose Screw	RD7835	Bail Spring Seat	RD7875	Oil Cap
RD4675	Oscillating Pawl Cover Screw	RD7837	Bail Spring Cover	RD7877	Anti-Reverse Lever
RD4963	Handle Lock Washer	RD7838	Bail Trip Lever	RD7878	Rear Protector Screw (B)
RD4964	Handle Screw Lock	RD7842	Pinion Gear	RD7879	Handle Screw Cap
RD6035	Line Roller	RD7843	Anti-Reverse Cam	RD7881	Spool Assembly
RD6060	Oscillating Slider Bushing	RD7844	Anti-Reverse Cam Spring	RD7882	Rotor
RD6289	Nut Lock Screw	RD7845	Friction Ring	RD7883	Bail Hold Support Guard
RD6293	Line Roller Bushing	RD7846	Idle Gear (B) Shaft	RD7884	Bail Assembly
RD6294	Line Roller Spacer	RD7847	Idle Gear (B)	RD7885	Worm Shaft
RD6486	Roller Clutch Screw	RD7848	Worm Bushing (front)	RD7886	Side Cover
RD6493	Worm Bushing (rear)	RD7849	Idle Gear	RD7887	Handle Assembly
RD6597	Side Cover Screw (B)	RD7851	Bushing	RD7888	Body
RD6887	Roller Clutch Assembly	RD7852	Drive Gear	RD8759	Click Pin
RD7469	Line Roller Screw	RD7854	Side Cover Screw (C)	RD8916	Click Spring
RD7786	Ball Bearing	RD7856	Oscillating Pawl Cover		
RD7788	Spring Guide (A) Support	RD7857	Oscillating Pawl		