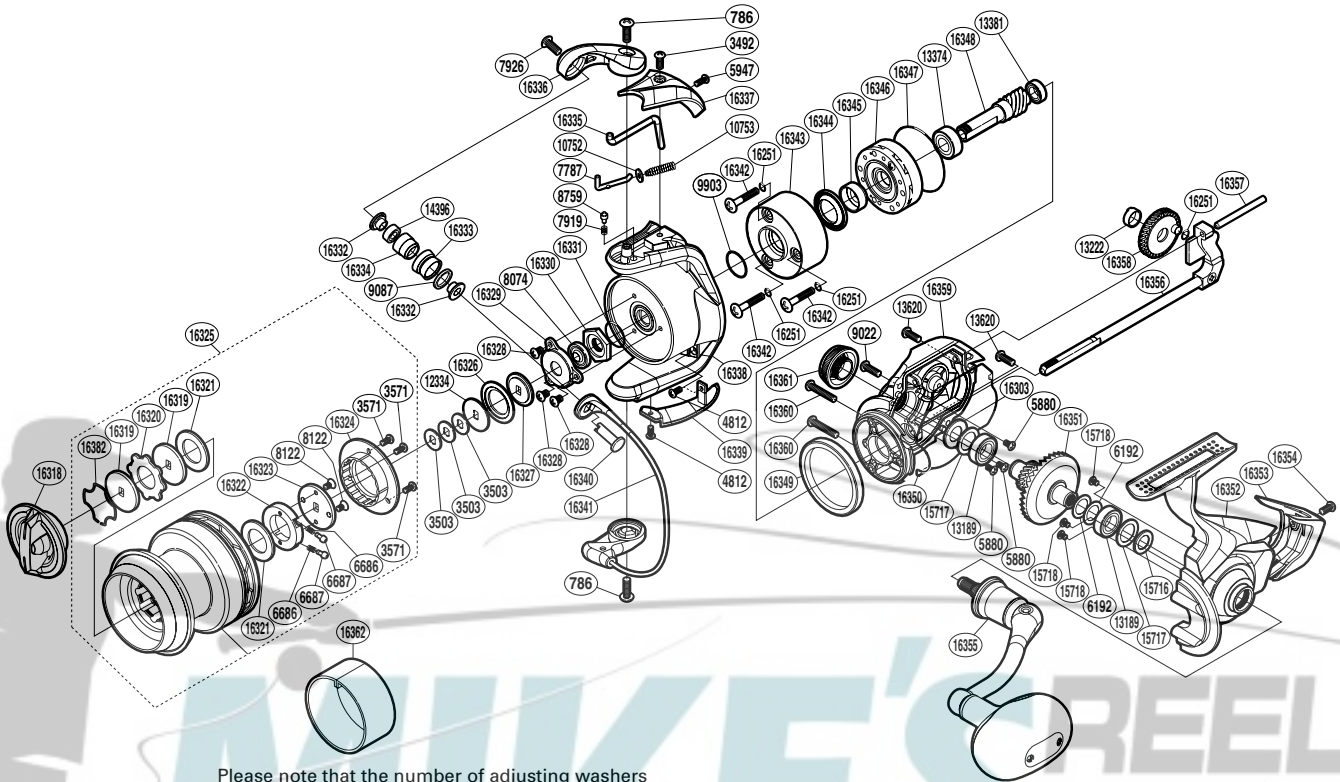


SHIMANO

Saragosa SA-RB

SRG-5000SW



(51SE775001U)

Please note that the number of adjusting washers may not be the same as shown in the exploded views. (Adjustment will vary with each individual product.)

Part No.	Description	Part No.	Description	Part No.	Description
RD 0786	Screw	RD14396	Ball Bearing	RD16339	Bail Hold Support Guard
RD 3492	Screw	RD15716	Bearing Water Proof	RD16340	Line Roller Support
RD 3503	Spool Washer	RD15717	Washer	RD16341	Bail Assembly
RD 3571	Screw	RD15718	Screw	RD16342	Screw
RD 4812	Screw	RD16251	O Ring	RD16343	Roller Clutch Water Proof Cover
RD 5880	Screw	RD16303	Bearing Water Proof	RD16344	Roller Clutch Water Proof
RD 5947	Screw	RD16318	Drag Knob	RD16345	Rotor Ring
RD 6192	Washer	RD16319	Key Washer	RD16346	Roller Clutch Assembly
RD 6686	Click Spring	RD16320	Eared Washer	RD16347	Roller Clutch Cover Seal
RD 6687	Click Pin	RD16321	Drag Washer	RD16348	Pinion Gear
RD 7787	Bail Spring Guide A	RD16322	Drag Click Holder	RD16349	Friction Ring
RD 7919	Click Spring	RD16323	Drag Click Holder Cover	RD16350	Body Seal
RD 7926	Screw	RD16324	Drag Cover	RD16351	Drive Gear
RD 8074	Bearing Water Proof	RD16325	Spool Assembly	RD16352	Side Cover
RD 8122	Screw	RD16326	Spool Support Seal	RD16353	Rear Protector
RD 8759	Click Pin	RD16327	Spool Support	RD16354	Screw
RD 9022	Screw	RD16328	Screw	RD16355	Handle Assembly
RD 9087	Line Roller Spacer	RD16329	Nut Lock Plate	RD16356	Main Shaft Assembly
RD 9903	O Ring	RD16330	Rotor Nut	RD16357	Oscillating Guide
RD10752	Spring Guide A Support	RD16331	O Ring	RD16358	Oscillating Gear
RD10753	Bail Spring	RD16332	Line Roller Washer	RD16359	Body
RD12334	Spool Support B	RD16333	Line Roller	RD16360	Screw
RD13189	Ball Bearing	RD16334	Line Roller Bushing	RD16361	Handle Screw Cap
RD13222	Oscillating Gear Bushing	RD16335	Bail Trip Lever	RD16382	Drag Washers Retainer
RD13374	Ball Bearing	RD16336	Bail Arm		
RD13381	Ball Bearing	RD16337	Bail Spring Cover		
RD13620	Screw	RD16338	Rotor	RD16362	Line Band (accessory)