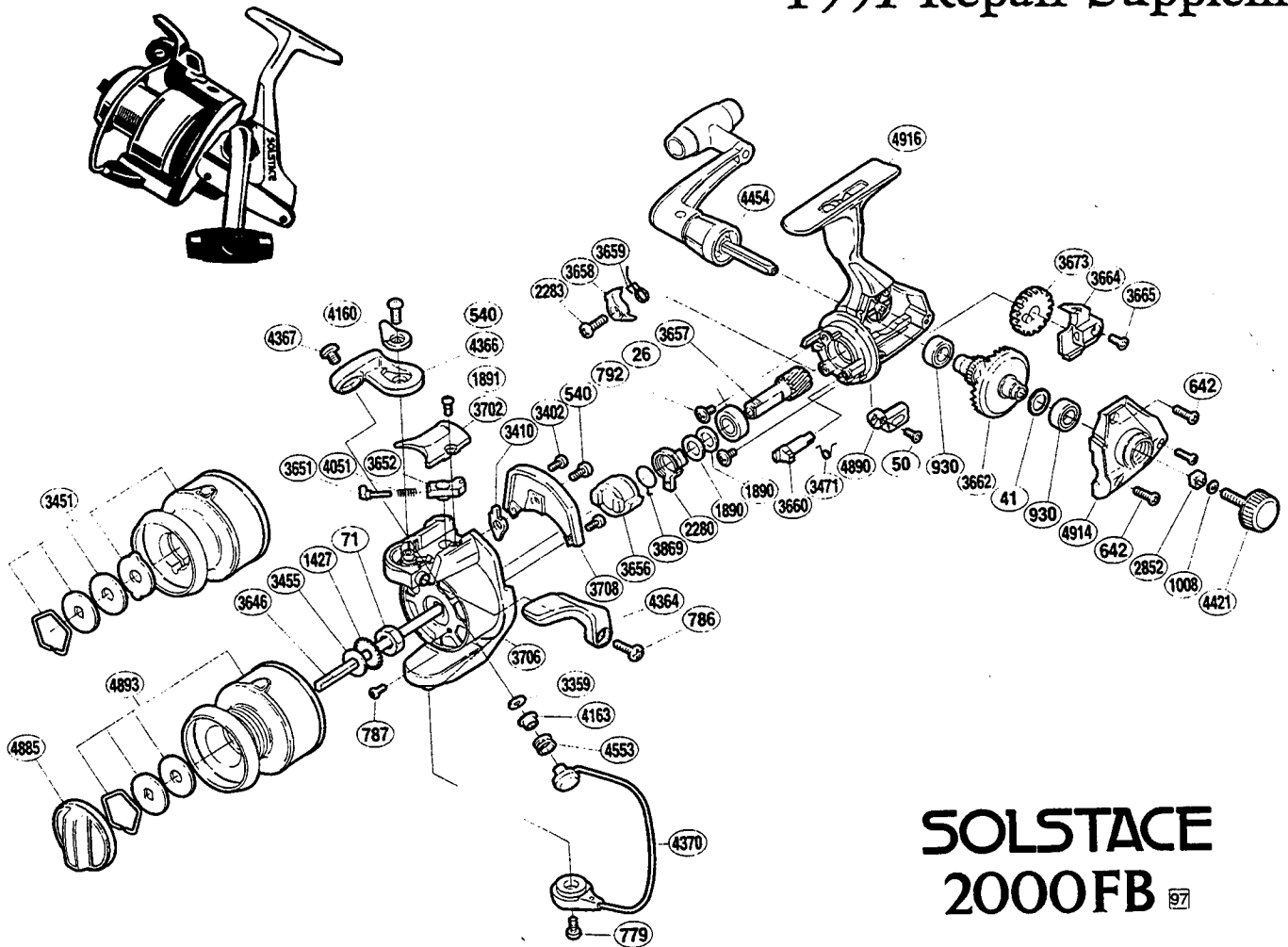


SHIMANO

1997 Repair Supplement



SOLSTACE 2000FB 97

SO2000FB

| Part # | Description | Part # | Description | Part # | Description |
|---------|--------------------------|---------|--------------------------|---------|-----------------------------|
| RD 0026 | Ball Bearing | RD 3402 | Cover Screw | RD 3708 | Counterbalance Cover |
| RD 0041 | Drive Gear Washer | RD 3410 | Bail Trip Lever | RD 3869 | Anti-Reverse Lockout Spring |
| RD 0050 | Anti-Reverse Lever Screw | RD 3451 | Spool Assembly (Graph.) | RD 4051 | Bail Spring |
| RD 0071 | Rotor Nut | RD 3455 | Spool Washer | RD 4160 | Trigger Cam |
| RD 0540 | Multi-Purpose Screw | RD 3471 | Anti-Rverse Cam Spring | RD 4163 | Line Roller Bushing |
| RD 0642 | Side Cover Screw | RD 3646 | Main Shaft | RD 4364 | Quickfire II Trigger |
| RD 0779 | Bail Hold Support Screw | RD 3651 | Bail Spring Guide (A) | RD 4366 | Bail Arm |
| RD 0786 | Trigger Screw | RD 3652 | Bail Spring Guide (B) | RD 4367 | Line Roller Screw |
| RD 0787 | Nut Lock Screw | RD 3656 | Anti-Reverse Ratchet | RD 4370 | Bail Assembly |
| RD 0792 | Bearing Retainer Screw | RD 3657 | Pinion Gear | RD 4421 | Handle Screw Cap |
| RD 0930 | Ball Bearing | RD 3658 | Anti-Reverse Pawl | RD 4454 | Handle Assembly |
| RD 1008 | Handle Lock Washer | RD 3659 | Anti-Reverse Pawl Spring | RD 4553 | Line Roller |
| RD 1427 | Spool Support | RD 3660 | Anti-Reverse Cam | RD 4885 | Drag Knob |
| RD 1890 | Bushing Washer | RD 3662 | Drive Gear | RD 4890 | Anti-Reverse Lever |
| RD 1891 | Bail Spring Cover Screw | RD 3664 | Oscillating Gear | RD 4893 | Spool Assembly (Aluminum) |
| RD 2280 | Anti-Reverse Lockout | RD 3665 | Slider Retainer Screw | RD 4914 | Side Cover |
| RD 2283 | Anti-Reverse Pawl Screw | RD 3673 | Oscillating Gear | RD 4916 | Body |
| RD 2852 | Handle Screw Lock | RD 3702 | Bail Spring Cover | | |
| RD 3359 | Line Roller Washer | RD 3706 | Rotor | | |