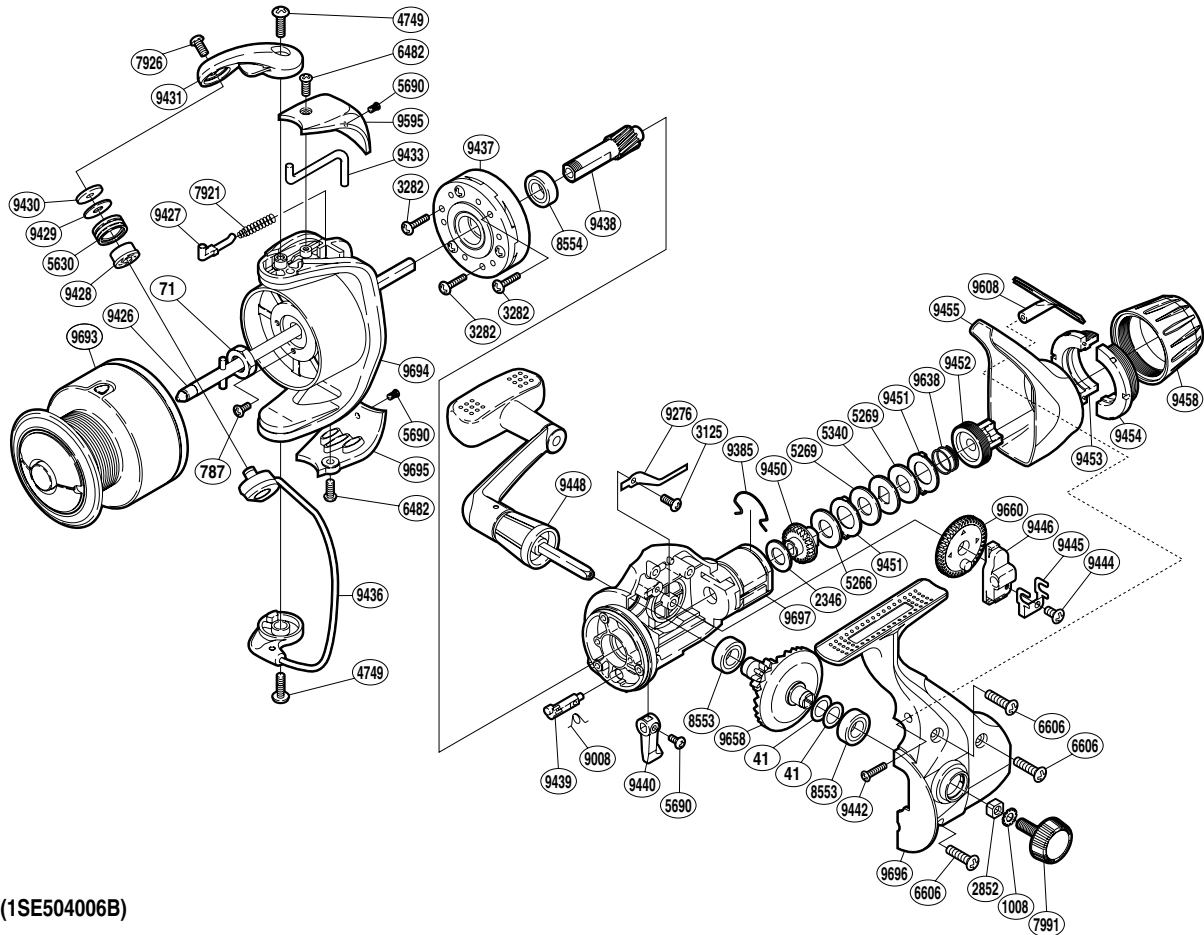


SHIMANO®

SIDESTAB

SI-4000RE



(1SE504006B)

Part No.	Description	Part No.	Description	Part No.	Description
RD 0041	Washer	RD 8554	Ball Bearing	RD 9448	Handle Assembly
RD 0071	Rotor Nut	RD 9008	Anti-Reverse Cam Spring	RD 9450	Drag Shaft
RD 0787	Screw	RD 9276	Drag Click	RD 9451	Eared Washer
RD 1008	Handle Lock Washer	RD 9385	Hold Click Spring	RD 9452	Pressure Screw
RD 2346	Drag Washer C (cloth)	RD 9426	Main Shaft	RD 9453	Drag Programmer B1
RD 2852	Handle Screw Lock	RD 9427	Bail Spring Guide	RD 9454	Drag Programmer B2
RD 3125	Screw	RD 9428	Line Roller Bushing	RD 9455	Rear Protector B
RD 3282	Screw	RD 9429	Line Roller Spacer	RD 9458	Drag Programmer A
RD 4749	Screw	RD 9430	Line Roller Washer	RD 9595	Bail Spring Cover
RD 5266	Drag Washer H (cloth)	RD 9431	Bail Arm	RD 9608	Rear Protector A
RD 5269	Drag Washer H (blue)	RD 9433	Bail Trip Lever	RD 9638	Drag Coil Spring
RD 5340	Key Washer A	RD 9436	Bail Assembly	RD 9658	Drive Gear
RD 5630	Line Roller	RD 9437	Roller Clutch Assembly	RD 9660	Oscillating Gear
RD 5690	Screw	RD 9438	Pinion Gear	RD 9693	Spool Assembly
RD 6482	Screw	RD 9439	Anti-Reverse Cam	RD 9694	Rotor
RD 6606	Screw	RD 9440	Anti-Reverse Lever	RD 9695	Bail Hold Support Guard
RD 7921	Bail Spring	RD 9442	Screw	RD 9696	Side Cover
RD 7926	Screw	RD 9444	Screw	RD 9697	Body
RD 7991	Handle Screw Cap	RD 9445	Oscillating Slider Retainer		
RD 8553	Ball Bearing	RD 9446	Oscillating Slider		

(160614)