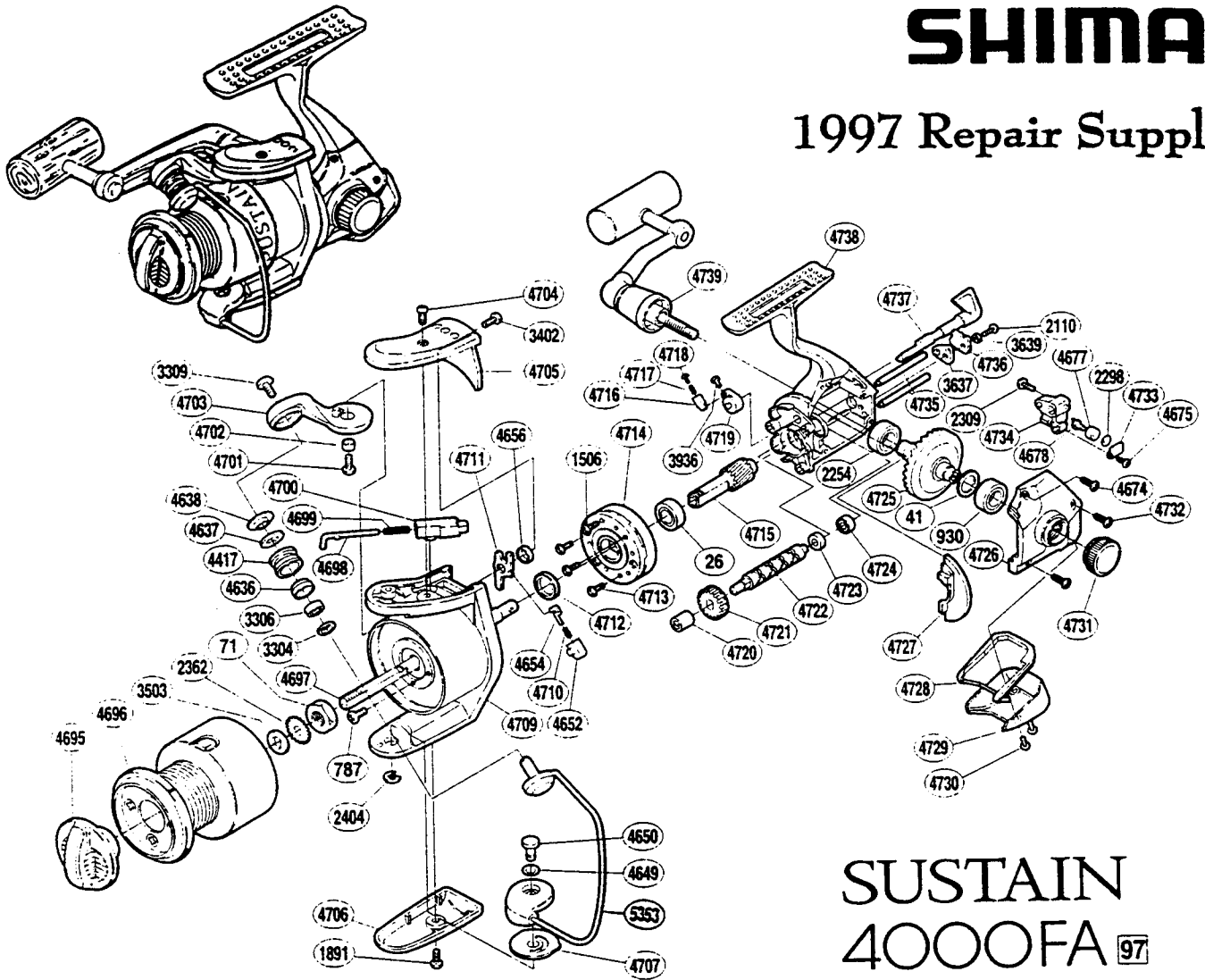


SHIMAR

1997 Repair Supplier



SUSTAIN 4000FA 97

SA4000FA

Part #	Description	Part #	Description	Part #	Description
RD 0026	Ball Bearing	RD 4652	Lever Spring Guide (B)	RD 4716	Lever Spring Guide (B)
RD 0041	Drive Gear Washer	RD 4654	Lever Spring Guide (A)	RD 4717	Lever Spring
RD 0071	Rotor Nut	RD 4656	Trip Lever Spacer	RD 4718	Lever Spring Guide (A)
RD 0787	Nut Lock Screw	RD 4674	Side Cover Screw (Short)	RD 4719	Anti-Reverse Cam
RD 0830	Ball Bearing	RD 4675	Oscillating Pawl Cover Screw	RD 4720	Worm Bushing (Front)
RD 1506	Clutch Cover Screw	RD 4677	Oscillating Slider Bushing	RD 4721	Idle Gear
RD 1891	Guard Screw	RD 4678	Oscillating Pawl	RD 4722	Worm Shaft
RD 2110	Worm Shaft Retainer Screw	RD 4695	Drag Knob	RD 4723	Worm Bushing (Rear)
RD 2254	Ball Bearing	RD 4696	Spool Assembly	RD 4724	Ball Bearing
RD 2298	Spacer	RD 4697	Main Shaft	RD 4725	Drive Gear
RD 2309	Slider Retainer Screw	RD 4698	Bail Spring Guide (A)	RD 4726	Side Cover
RD 2362	Spool Support	RD 4699	Bail Spring	RD 4727	Side Cover Flange
RD 2404	"E" Lock	RD 4700	Bail Spring Guide (B)	RD 4728	Rear Shield
RD 3304	Bearing Spacer	RD 4701	Bail Arm Screw	RD 4729	Rear Protector
RD 3306	Line Roller Bearing	RD 4702	Bail Arm Bushing	RD 4730	Rear Protector Screw
RD 3309	Line Roller Screw	RD 4703	Bail Arm	RD 4731	Handle Screw Cap
RD 3402	Bail Spring Cover Screw (SM)	RD 4704	Bail Spring Cover Screw (LG)	RD 4732	Side Cover Screw (long)
RD 3503	Spool Washer	RD 4705	Bail Spring Cover	RD 4733	Oscillating Pawl Cover
RD 3637	Worm Shaft Retainer Washer	RD 4706	Bail Hold Support Guard	RD 4734	Oscillating Slider
RD 3639	Worm Shaft Retainer Spacer	RD 4707	Bail Hold Support Spacer	RD 4735	Oscillating Guide
RD 3636	Anti-Reverse Cam Screw	RD 4709	Rotor	RD 4736	Worm Shaft Retainer
RD 4417	Line Roller	RD 4710	Lever Spring	RD 4737	Anti-Reverse Lever
RD 4636	Line Roller Bushing	RD 4711	Bail Trip Lever	RD 4738	Body
RD 4637	Line Roller Spacer	RD 4712	Rotor Spacer	RD 4739	Handle Assembly
RD 4638	Line Roller Washer	RD 4713	Roller Clutch Screw	RD 5352	Bail Assembly
RD 4649	Spacer	RD 4714	Roller Clutch Assembly		
RD 4650	Bail Hold Support Shaft	RD 4715	Pinion Gear		