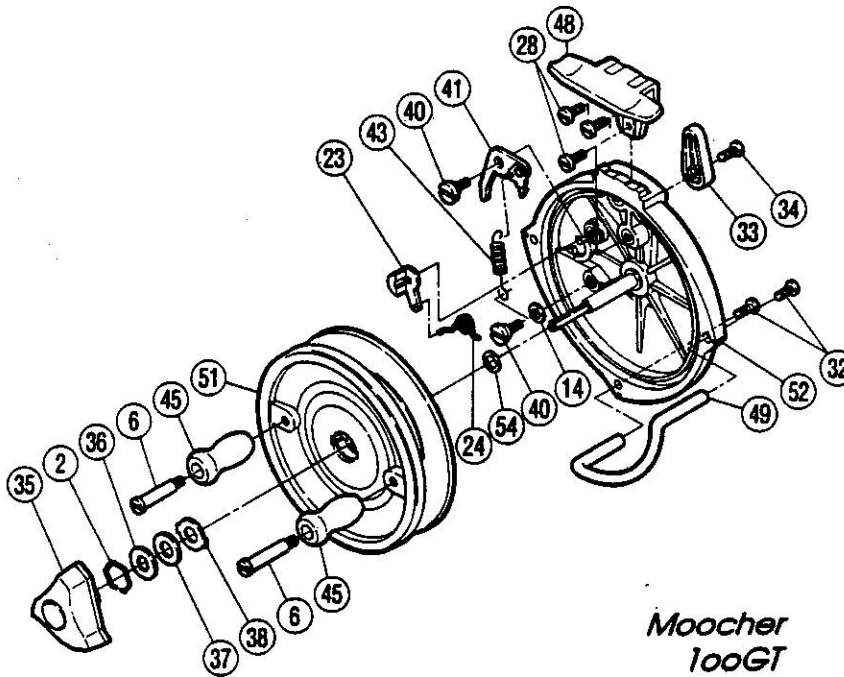


EXPLODED PARTS VIEW

# SHIMANO®

## 1991 REPAIR MANUAL

Shimano American Corporation, One Shimano Dr.  
Irvine, CA 92718



*Moocher  
100GT*

*Drag Knob for 100 S 200 BT  
Can use Penn 52-103*

TO ORDER: USE MCR PREFIX  
WITH PART NUMBER

### PARTS LIST

MCR #	DESCRIPTION	MCR #	DESCRIPTION	MCR #	DESCRIPTION
0002	Drag Washers Retainer	0034	Click Lever Screw	0045	Handle Knob
0006	Handle Knob Bolt	0035	Drag Knob	0048	Stand
0014	Retainer Spacer	0036	Key Washer	0049	Line Guard
0023	Click Cam	0037	Drag Washer	0051	Spool
0024	Click Cam Spring	0038	Eared Washer	0052	Back Plate
0028	Stand Screw	0040	Click Pawl Screw	0054	Main Shaft Washer
0032	Line Guard Screw	0041	Click Pawl		
0033	Click Lever	0043	Click Spring		

Prices and specifications subject to change without notice

1/1991

'91-36