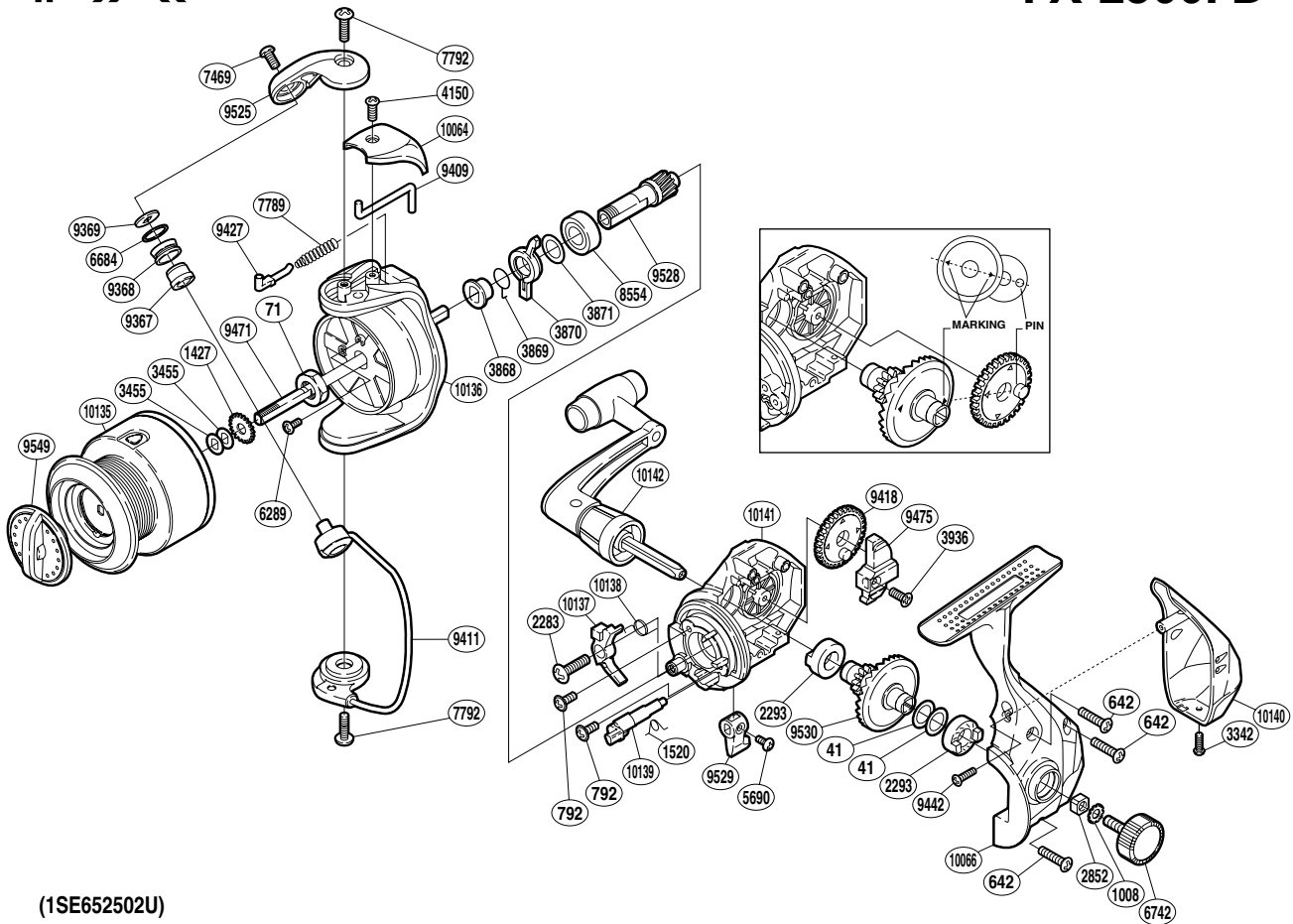


# SHIMANO®



## FX-2500FB



(1SE652502U)

| Part No. | Description                  | Part No. | Description         | Part No. | Description              |
|----------|------------------------------|----------|---------------------|----------|--------------------------|
| RD 0041  | Washer                       | RD 4150  | Screw               | RD 9471  | Main Shaft               |
| RD 0071  | Rotor Nut                    | RD 5690  | Screw               | RD 9475  | Oscillating Slider       |
| RD 0642  | Screw                        | RD 6289  | Screw               | RD 9525  | Bail Arm                 |
| RD 0792  | Screw                        | RD 6684  | Line Roller Spacer  | RD 9528  | Pinion Gear              |
| RD 1008  | Handle Lock Washer           | RD 6742  | Handle Screw Cap    | RD 9529  | Anti-Reverse Lever       |
| RD 1427  | Spool Support                | RD 7469  | Screw               | RD 9530  | Drive Gear               |
| RD 1520  | Anti-Reverse Cam Spring      | RD 7789  | Bail Spring         | RD 9549  | Drag Knob                |
| RD 2283  | Screw                        | RD 7792  | Screw               | RD10064  | Bail Spring Cover        |
| RD 2293  | Drive Gear Bushing           | RD 8554  | Ball Bearing        | RD10066  | Side Cover               |
| RD 2852  | Handle Screw Lock            | RD 9367  | Line Roller Bushing | RD10135  | Spool Assembly           |
| RD 3342  | Screw                        | RD 9368  | Line Roller         | RD10136  | Rotor                    |
| RD 3455  | Spool Washer                 | RD 9369  | Line Roller Washer  | RD10137  | Anti-Reverse Pawl        |
| RD 3868  | Lock Out Spring Holder       | RD 9409  | Bail Trip Lever     | RD10138  | Anti-Reverse Pawl Spring |
| RD 3869  | Anti-Reverse Lock Out Spring | RD 9411  | Bail Assembly       | RD10139  | Anti-Reverse Cam         |
| RD 3870  | Anti-Reverse Lock Out        | RD 9418  | Oscillating Gear    | RD10140  | Rear Protector           |
| RD 3871  | Washer                       | RD 9427  | Bail Spring Guide   | RD10141  | Body                     |
| RD 3936  | Screw                        | RD 9442  | Screw               | RD10142  | Handle Assembly          |