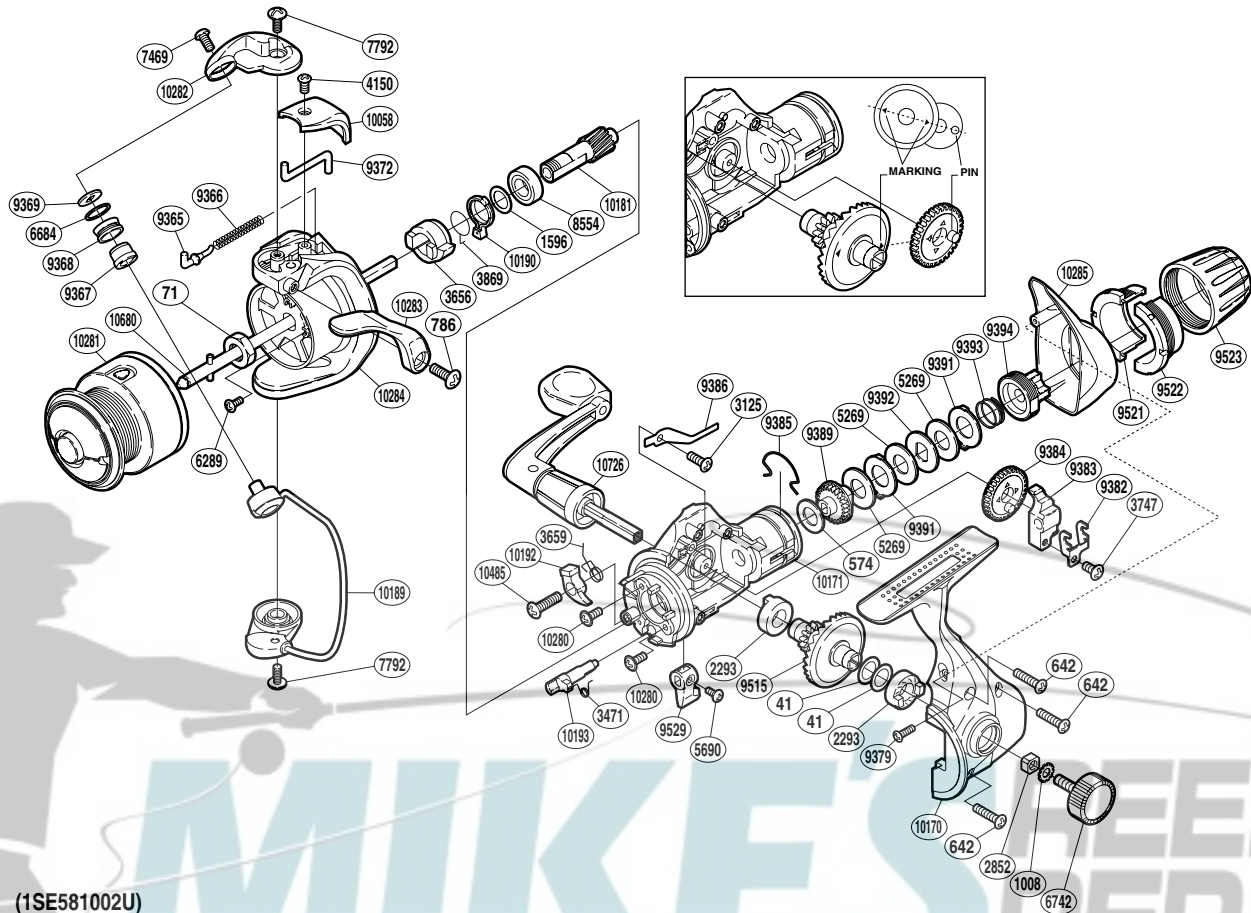


SHIMANO®



FX-1000RB



(1SE581002U)

Part No.	Description	Part No.	Description	Part No.	Description
RD 0041	Washer	RD 7469	Screw	RD 9521	Drag Programmer B1
RD 0071	Rotor Nut	RD 7792	Screw	RD 9522	Drag Programmer B2
RD 0574	Drag Washer	RD 8554	Ball Bearing	RD 9523	Drag Programmer A
RD 0642	Screw	RD 9365	Bail Spring Guide	RD 9529	Anti-Reverse Lever
RD 0786	Screw	RD 9366	Bail Spring	RD10058	Bail Spring Cover
RD 1008	Handle Lock Washer	RD 9367	Line Roller Bushing	RD10170	Side Cover
RD 1596	Washer	RD 9368	Line Roller	RD10171	Body
RD 2293	Drive Gear Bushing	RD 9369	Line Roller Washer	RD10181	Pinion Gear
RD 2852	Handle Screw Lock	RD 9372	Bail Trip Lever	RD10189	Bail Assembly
RD 3125	Screw	RD 9379	Screw	RD10190	Anti-Reverse Lock Out
RD 3471	Anti-Reverse Cam Spring	RD 9382	Oscillating Slider Retainer	RD10192	Anti-Reverse Pawl
RD 3656	Anti-Reverse Ratchet	RD 9383	Oscillating Slider	RD10193	Anti-Reverse Cam
RD 3659	Anti-Reverse Pawl Spring	RD 9384	Oscillating Gear	RD10280	Screw
RD 3747	Screw	RD 9385	Hold Click Spring	RD10281	Spool Assembly
RD 3869	Anti-Reverse Lock Out Spring	RD 9386	Drag Click	RD10282	Bail Arm
RD 4150	Screw	RD 9389	Drag Shaft	RD10283	Quick-Fire II Trigger
RD 5269	Drag Washer	RD 9391	Eared Washer	RD10284	Rotor
RD 5690	Screw	RD 9392	Key Washer	RD10285	Rear Protector
RD 6289	Screw	RD 9393	Drag Coil Spring	RD10485	Screw
RD 6684	Line Roller Spacer	RD 9394	Pressure Screw	RD10680	Main Shaft
RD 6742	Handle Screw Cap	RD 9515	Drive Gear	RD10726	Handle Assembly