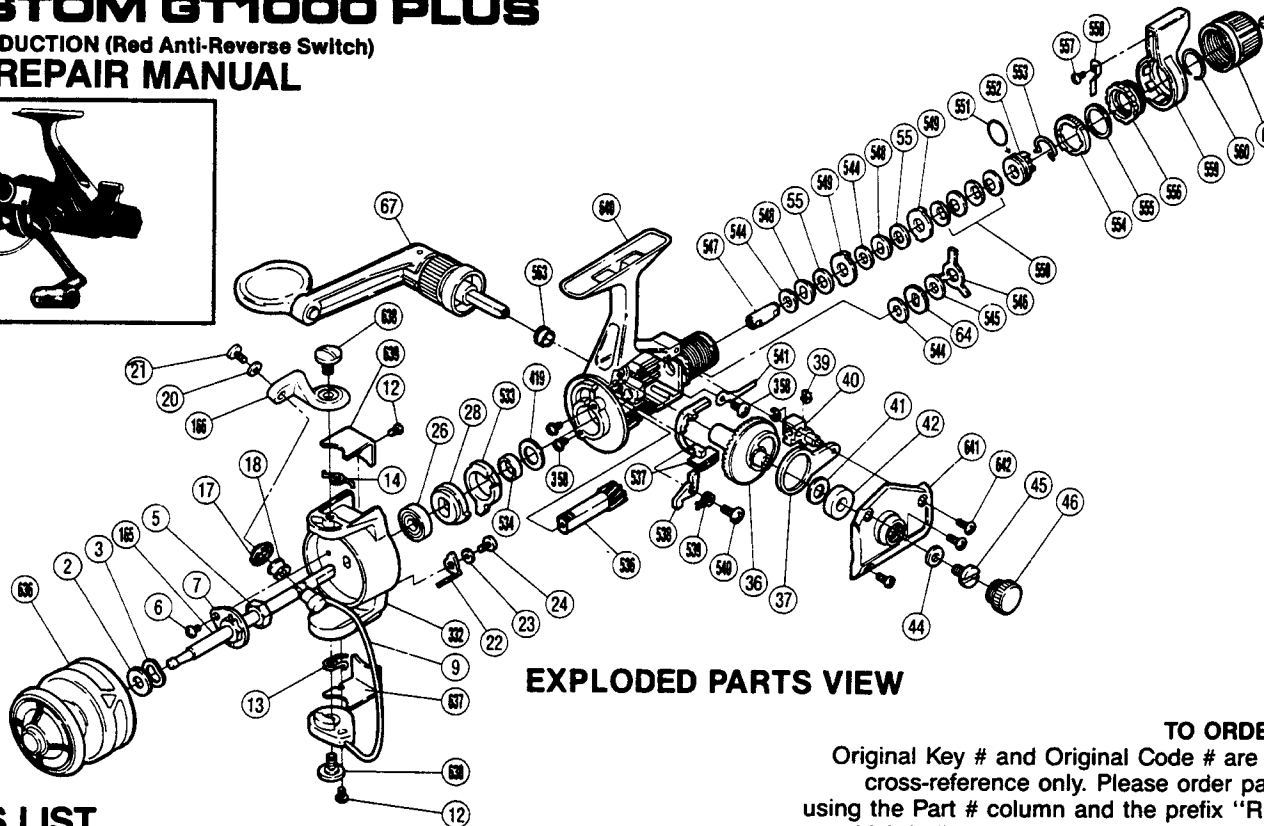
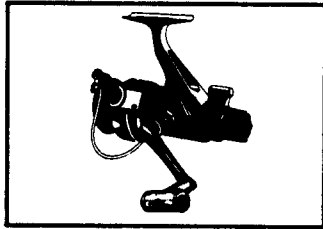


SHIMANO®

CUSTOM GT1000 PLUS

1985 PRODUCTION (Red Anti-Reverse Switch)

1987 REPAIR MANUAL



EXPLODED PARTS VIEW

PARTS LIST

TO ORDER
Original Key # and Original Code # are cross-reference only. Please order parts using the Part # column and the prefix "R" which indicates the Rear Drag reel series.

PART #	ORIGINAL KEY #	ORIGINAL CODE #	DESCRIPTION	PART #	ORIGINAL KEY #	ORIGINAL CODE #	DESCRIPTION
636.	1.	6-0209 31110S	Spool Assembly	37.	37.	7-0410 26100S	Oscillating Arm
2.	2.	7-0217 26100S	Spool Washer	44.	38.	7-0725 05500S	Handle Lock Washer
3.	3.	7-2101 06100S	Tension Spring	541.	39.	7-0122 32100S	Drag Click
6.	4.	7-0013 30410S	Nut Lock Screw	358.	40.	7-0014 30220S	Drag Click Screw
165.	5.	6-0219 27101S	Main Shaft Assembly	39.	41.	7-0525 26100S	"C" Lock
7.	6.	7-0360 21000S	Rotor Nut Lock Plate	40.	42.	7-0472 26100S	Oscillating Block
5.	7.	7-0311 26100S	Rotor Nut	41.	43.	7-0446 01100S	Drive Gear Washer
17.	8.	7-0423 21000S	Line Roller Washer	42.	44.	7-0617 26100S	Drive Gear Bushing A
18.	9.	7-0304 21100S	Line Roller	641.	45.	6-0609 33100S	Side Cover
332.	10.	7-0301 29120S	Rotor	642.	46.	7-0011 30711S	Side Cover Screw
9.	11.	6-0309 26100S	Bail	45.	47.	7-0710 05100S	Handle Lock Screw
637.	12.	7-0338 33100S	Bail Trip Cover	46.	48.	7-0453 26100S	Handle Lock Screw
638.	13.	7-0306 26110S	Bail Trip Cam Screw	544.	49.	7-0139 26110S	Drag Washer "C ₂ "
12.	14.	7-0013 30110S	Cover Screw	64.	50.	7-0113 26100S	Click Gear
13.	15.	7-0337 19300S	Lever Spring	545.	51.	7-0139 26101S	Drag Washer "C ₃ "
14.	16.	7-0310 24500S	Bail Spring	546.	52.	7-0159 32100S	Eared Washer "BF"
639.	17.	7-0307 33100S	Bail Spring Cover	547.	53.	7-0112 32100S	Drag Shaft
21.	18.	7-0013 30091S	Line Roller Screw	548.	54.	7-0115 32100S	Key Washer "A"
20.	19.	7-0316 21100S	Lock Washer	55.	55.	7-0139 26100S	Drag Washer "C ₁ "
166.	20.	7-0303 24500S	Bail Arm	549.	56.	7-0116 32100S	Eared Washer "B"
22.	21.	7-0336 24500S	Bail Trip Lever	550.	57.	7-0145 32100S	Coned Disc Springs
23.	22.	7-0354 19300S	Trip Lever Spacer	551.	58.	7-0160 32100S	"O" Ring
24.	23.	7-0014 30210S	Trip Lever Screw	552.	59.	7-0110 32100S	Pressure Screw
26.	24.	7-0402 19300S	Ball Bearing	553.	60.	7-0149 32100S	Hold Click Spring
28.	25.	7-0421 21000S	Anti-Reverse Ratchet	554.	61.	7-0155 32100S	Lever Click Gear
533.	26.	7-0522 32100S	Anti-Reverse Lock Out	555.	62.	7-0157 32100S	Fightin' Pressure Screw Washer
534.	27.	7-0428 32100S	Pinion Spacer	556.	63.	7-0156 32100S	Fightin' Pressure Screw
419.	28.	7-0514 28110S	Bushing Washer	557.	64.	7-0010 00110S	Fightin' Drag Click Screw
358.	29.	7-0011 30470S	Bearing Retainer Screw	558.	65.	7-0154 32100S	Fightin' Drag Click
640.	30.	6-0409 33100S	Body	559.	66.	6-0441 32100S	Fightin' Drag Lever
536.	31.	7-0407 32100S	Pinion Gear	560.	67.	7-0158 32100S	Lever Hold Spring
537.	32.	7-0404 32100S	Anti-Reverse Switch	643.	68.	6-0439 30100S	Drag Programmer
538.	33.	7-0427 32100S	Anti-Reverse Pawl	644.	69.	7-0013 40630S	Drag Programmer Screw
539.	34.	7-0422 24500S	Anti-Reverse Pawl Spring	67.	70.	6-0709 27100S	Handle Assembly
540.	35.	7-0013 30140S	Anti-Reverse Pawl Screw	563.	71.	7-0430 29050S	Drive Gear Bushing B
36.	36.	7-0408 26100S	Drive Gear				