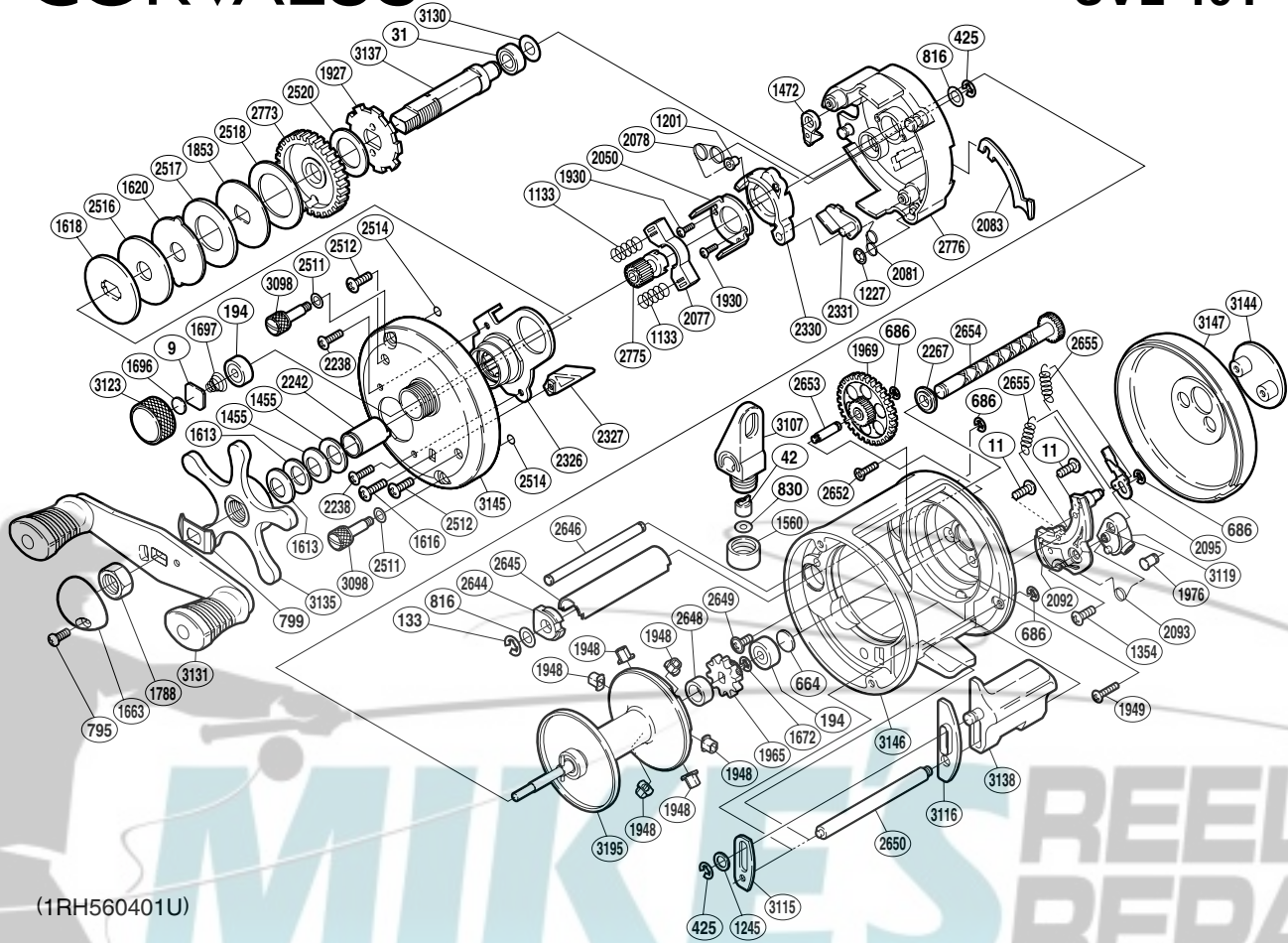


# SHIMANO®

## CORVALUS

## CVL-401



Part No.	Description	Part No.	Description	Part No.	Description
BNT0009	Spacer	BNT1853	Key Washer A	BNT2644	Worm Bushing A
BNT0011	Screw	BNT1927	Anti-Reverse Ratchet	BNT2645	Level Wind Guard
BNT0031	Ball Bearing	BNT1930	Screw	BNT2646	Stabilizer Bar
BNT0042	Line Guide Pawl	BNT1948	Brake Collar	BNT2648	Idle Gear A Bush
BNT0133	E Lock	BNT1949	Screw	BNT2649	Screw
BNT0194	Ball Bearing	BNT1965	Idle Gear A	BNT2650	Clutch Button Support Bar
BNT0425	E Lock	BNT1969	Idle Gear B	BNT2652	Screw
BNT0664	Spacer B	BNT1976	Click Shaft	BNT2653	Idle Gear B Shaft
BNT0686	E Lock	BNT2050	Clutch Cam Retainer	BNT2654	Worm Shaft
BNT0795	Screw	BNT2077	Yoke	BNT2655	Click Spring
BNT0799	Friction Washer	BNT2078	Retractor Spring	BNT2773	Drive Gear
BNT0816	Washer	BNT2081	Clutch Pawl Spring	BNT2775	Pinion Gear
BNT0830	Spacer	BNT2083	Clutch Plate	BNT2776	Set Plate
BNT1133	Yoke Spring	BNT2092	Click Plate	BNT3098	Side Plate Nut
BNT1201	Retractor Spring Collar	BNT2093	Click Switch Spring	BNT3107	Line Guide
BNT1227	Push Nut (SPN-2)	BNT2095	Click Pawl	BNT3115	Clutch Button Guide A
BNT1245	Spacer	BNT2238	Screw	BNT3116	Clutch Button Guide B
BNT1354	Screw	BNT2242	Roller Clutch Inner Tube	BNT3119	Click Switch
BNT1455	Drag Spring Washer H	BNT2267	Worm Bushing B	BNT3123	Cast Control Cap
BNT1472	Anti-Reverse Pawl	BNT2326	Roller Clutch Assembly	BNT3130	Washer
BNT1560	Pawl Cap	BNT2327	Return Pin Guide	BNT3131	Handle Assembly
BNT1613	Drag Spring Washer L	BNT2330	Clutch Cam	BNT3135	Star Drag
BNT1616	Screw	BNT2331	Clutch Pawl	BNT3137	Drive Shaft
BNT1618	Key Washer C	BNT2511	Washer	BNT3138	Quick-Fire II Clutch Bar
BNT1620	Eared Washer	BNT2512	Screw	BNT3144	Side I.D. Plate
BNT1663	Handle Nut Plate	BNT2514	O Ring	BNT3145	Left Side Plate
BNT1672	E Lock	BNT2516	Drag Washer AG	BNT3146	One-Piece Frame
BNT1696	Spacer	BNT2517	Drag Washer CG	BNT3147	Right Side Plate
BNT1697	Spool Tension Spring	BNT2518	Drag Washer BG	BNT3195	Spool Assembly
BNT1788	Handle Nut	BNT2520	Drive Shaft Washer B		