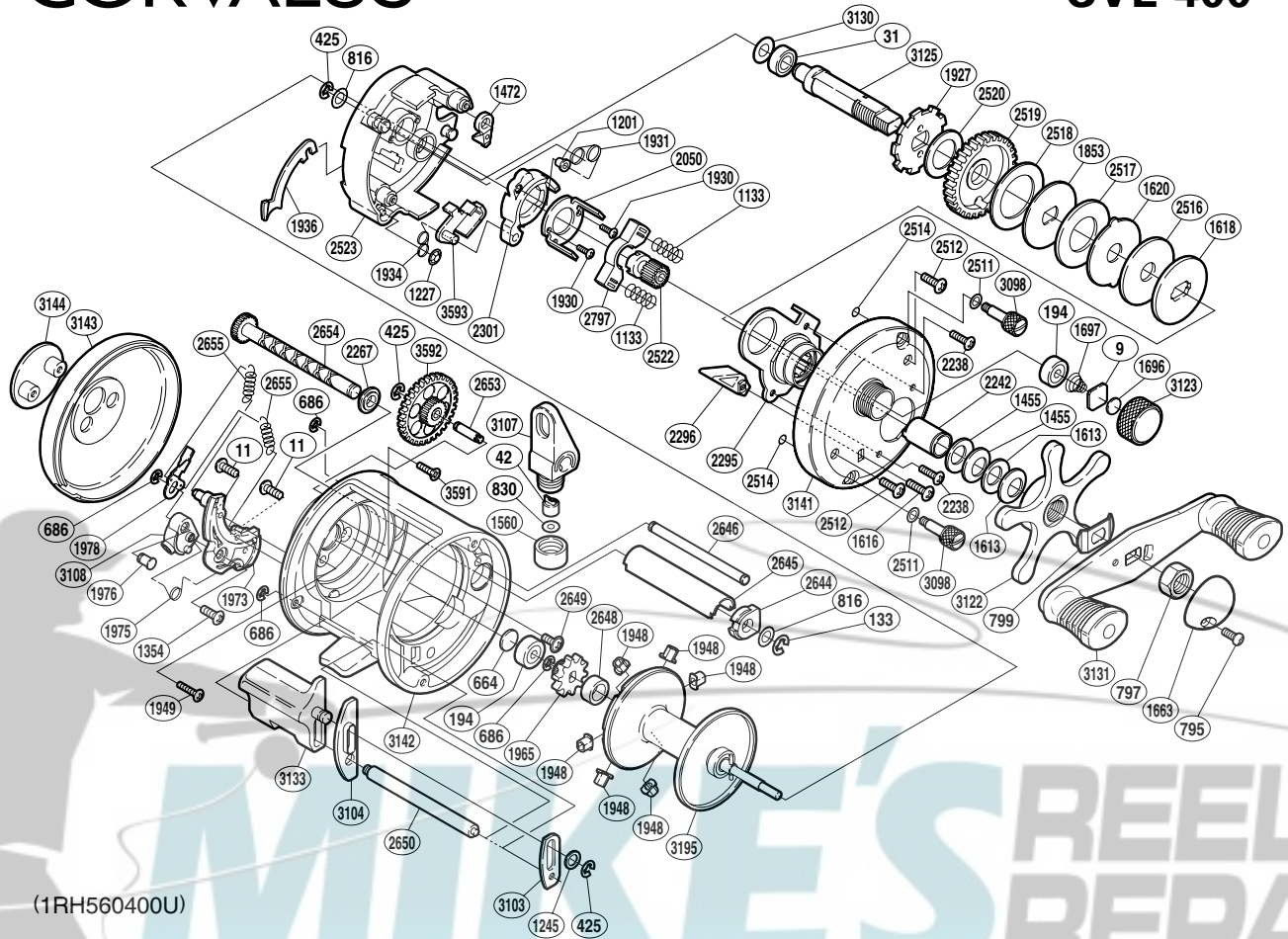


# SHIMANO®

## CORVALUS

## CVL-400



(1RH560400U)

Part No.	Description	Part No.	Description	Part No.	Description
BNT0009	Spacer	BNT1927	Anti-Reverse Ratchet	BNT2645	Level Wind Guard
BNT0011	Screw	BNT1930	Screw	BNT2646	Stabilizer Bar
BNT0031	Ball Bearing	BNT1931	Retractor Spring	BNT2648	Idle Gear A Bush
BNT0042	Line Guide Pawl	BNT1934	Clutch Pawl Spring	BNT2649	Screw
BNT0133	E Lock	BNT1936	Clutch Plate	BNT2650	Clutch Button Support Bar
BNT0194	Ball Bearing	BNT1948	Brake Collar	BNT2653	Idle Gear B Shaft
BNT0425	E Lock	BNT1949	Screw	BNT2654	Worm Shaft
BNT0664	Spacer B	BNT1965	Idle Gear A	BNT2655	Click Spring
BNT0686	E Lock	BNT1973	Click Plate	BNT2797	Yoke
BNT0795	Screw	BNT1975	Click Switch Spring	BNT3098	Side Plate Nut
BNT0797	Handle Nut	BNT1976	Click Shaft	BNT3103	Clutch Button Guide A
BNT0799	Friction Washer	BNT1978	Click Pawl	BNT3104	Clutch Button Guide B
BNT0816	Washer	BNT2050	Clutch Cam Retainer	BNT3107	Line Guide
BNT0830	Spacer	BNT2238	Screw	BNT3108	Click Switch
BNT1133	Yoke Spring	BNT2242	Roller Clutch Inner Tube	BNT3122	Star Drag
BNT1201	Retractor Spring Collar	BNT2267	Worm Bushing B	BNT3123	Cast Control Cap
BNT1227	Push Nut (SPN-2)	BNT2295	Roller Clutch Assembly	BNT3125	Drive Shaft
BNT1245	Spacer	BNT2296	Return Pin Guide	BNT3130	Washer
BNT1354	Screw	BNT2301	Clutch Cam	BNT3131	Handle Assembly
BNT1455	Drag Spring Washer H	BNT2511	Washer	BNT3133	Quick-Fire II Clutch Bar
BNT1472	Anti-Reverse Pawl	BNT2512	Screw	BNT3141	Right Side Plate
BNT1560	Pawl Cap	BNT2514	O Ring	BNT3142	One-Piece Frame
BNT1613	Drag Spring Washer L	BNT2516	Drag Washer AG	BNT3143	Left Side Plate
BNT1616	Screw	BNT2517	Drag Washer CG	BNT3144	Side I.D. Plate
BNT1618	Key Washer C	BNT2518	Drag Washer BG	BNT3195	Spool Assembly
BNT1620	Eared Washer	BNT2519	Drive Gear	BNT3591	Screw
BNT1663	Handle Nut Plate	BNT2520	Drive Shaft Washer B	BNT3592	Idle Gear B
BNT1696	Spacer	BNT2522	Pinion Gear	BNT3593	Clutch Pawl
BNT1697	Spool Tension Spring	BNT2523	Set Plate		
BNT1853	Key Washer A	BNT2644	Worm Bushing A		