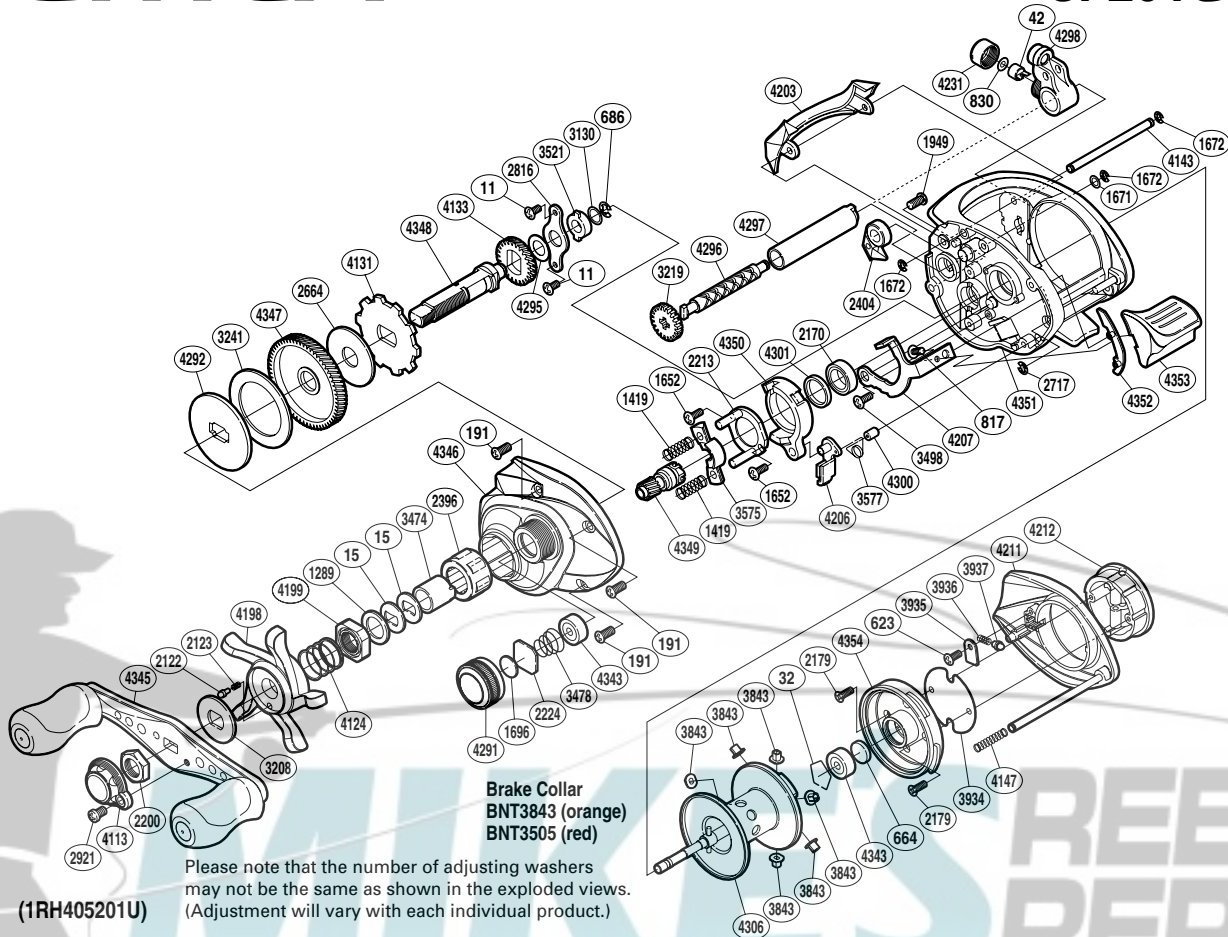


SHIMANO

CITICA

CI-201G6



(1RH405201U)

Part No.	Description	Part No.	Description	Part No.	Description
BNT0011	Screw	BNT2717	E Lock	BNT4206	Clutch Pawl
BNT0015	Drag Spring Washer	BNT2816	Drive Shaft Retainer	BNT4207	Clutch Plate
BNT0032	Bearing Retainer	BNT2921	Screw	BNT4211	Right Side Plate
BNT0042	Line Guide Pawl	BNT3130	Washer	BNT4212	Turnkey Dial
BNT0191	Screw	BNT3208	Star Drag Click Plate	BNT4231	Pawl Cap
BNT0623	Screw	BNT3219	Idle Gear	BNT4291	Cast Control Cap
BNT0664	Spacer B	BNT3241	Drag Washer	BNT4292	Key Washer
BNT0686	E Lock	BNT3474	Roller Clutch Inner Tube	BNT4295	Washer
BNT0817	Screw	BNT3478	Spool Tension Spring	BNT4296	Worm Shaft
BNT0830	Spacer	BNT3498	Screw	BNT4297	Level Wind Guard
BNT1289	Star Drag Spacer	BNT3521	Drive Shaft Bushing	BNT4298	Line Guide
BNT1419	Yoke Spring	BNT3575	Yoke	BNT4300	Retractor Spring Collar
BNT1652	Screw	BNT3577	Clutch Pawl Spring	BNT4301	Bearing Bushing
BNT1671	Washer	BNT3843	Brake Collar (orange)	BNT4306	Spool Assembly
BNT1672	E Lock	BNT3934	Brake Case Spacer	BNT4343	Ball Bearing
BNT1696	Cast Control Spacer	BNT3935	Brake Spring Retainer	BNT4345	Handle Assembly
BNT1949	Screw	BNT3936	Click Spring	BNT4346	Left Side Plate
BNT2122	Click Pin	BNT3937	Click Pin	BNT4347	Drive Gear
BNT2123	Click Spring	BNT4113	Handle Retainer	BNT4348	Drive Shaft
BNT2170	Ball Bearing	BNT4124	Star Drag Spring	BNT4349	Pinion Gear
BNT2179	Screw	BNT4131	Anti-Reverse Ratchet	BNT4350	Clutch Cam
BNT2200	Handle Nut	BNT4133	Idle Gear	BNT4351	One-Piece Frame
BNT2213	Clutch Cam Retainer	BNT4143	Stabilizer Bar	BNT4352	Clutch Bar Guide
BNT2224	Spool Tension Spacer	BNT4147	Damper Spring	BNT4353	Quick-Fire II Clutch Bar
BNT2396	Roller Clutch Bearing	BNT4198	Star Drag	BNT4354	Brake Case
BNT2404	Anti-Reverse Pawl	BNT4199	Star Drag Nut		
BNT2664	Drag Washer	BNT4203	Level Wind Protector	BNT3505	Brake Collar (red) (accessory)