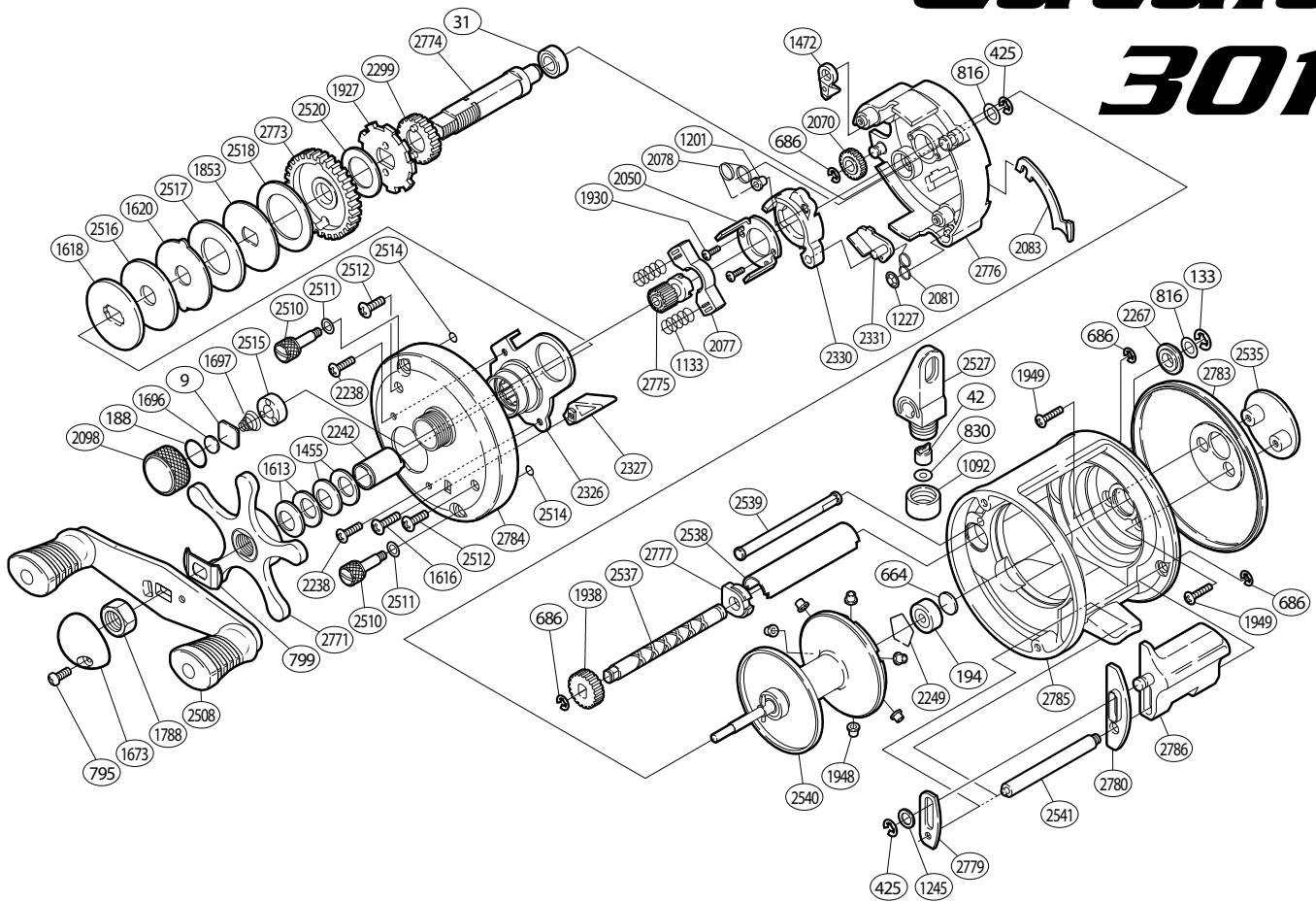


# Catala™

# 301

01



**Part No. Description**

BNT0009	Spacer (A)
BNT0031	Ball Bearing
BNT0042	Line Guide Pawl
BNT0133	Worm Shaft Retainer
BNT0188	"O" Ring
BNT0194	Ball Bearing
BNT0425	"E" Lock
BNT0664	Spacer (B)
BNT0686	"E" Lock
BNT0795	Handle Nut Plate Screw
BNT0799	Friction Washer
BNT0816	Shaft Washer
BNT0830	Spacer (optional)
BNT1092	Pawl Cap
BNT1133	Yoke Spring
BNT1201	Retractor Spring Collar
BNT1227	Push Nut (SPN-2)
BNT1245	Clutch Bar Support Spacer
BNT1455	Drag Spring Washer (H)
BNT1472	Anti-Reverse Pawl
BNT1613	Drag Spring Washer (L)
BNT1616	Return Pin Guide Screw
BNT1618	Key Washer (C)
BNT1620	Eared Washer
BNT1673	Handle Nut Plate
BNT1696	Cast Control Spacer (B)
BNT1697	Spool Tension Spring

**Part No. Description**

BNT1788	Handle Nut
BNT1853	Key Washer (A)
BNT1927	Anti-Reverse Ratchet
BNT1930	Clutch Cam Screw
BNT1938	Idle Gear (C)
BNT1948	Brake Collar
BNT1949	I.D. Plate Screw
BNT2050	Clutch Cam Retainer
BNT2070	Idle Gear (B)
BNT2077	Yoke
BNT2078	Retractor Spring
BNT2081	Clutch Pawl Spring
BNT2083	Clutch Plate
BNT2098	Cast Control Cap
BNT2238	Bush Plate Screw
BNT2242	Roller Clutch Inner Tube
BNT2249	Bearing Retainer
BNT2267	Worm Bushing (B)
BNT2299	Idle Gear (A)
BNT2326	Roller Clutch Assembly
BNT2327	Return Pin Guide
BNT2330	Clutch Cam
BNT2331	Clutch Pawl
BNT2508	Handle Assembly
BNT2510	Left Side Plate Nut
BNT2511	Side Plate Nut Washer
BNT2512	Left Side Plate Screw

**Part No. Description**

BNT2514	"O" Ring
BNT2515	Cast Control Bushing
BNT2516	Drag Washer (AG)
BNT2517	Drag Washer (CG)
BNT2518	Drag Washer (BG)
BNT2520	Drive Shaft Washer (B)
BNT2527	Line Guide
BNT2535	Right Side I.D. Plate
BNT2537	Worm Shaft
BNT2538	Level Wind Guard
BNT2539	Stabilizer Bar
BNT2540	Spool Assembly
BNT2541	Clutch Button Support Bar
BNT2771	Star Drag
BNT2773	Drive Gear
BNT2774	Drive Shaft
BNT2775	Pinion Gear
BNT2776	Set Plate
BNT2777	Worm Bushing (A)
BNT2779	Clutch Button Guide (A)
BNT2780	Clutch Button Guide (B)
BNT2783	Right Side Plate
BNT2784	Left Side Plate
BNT2785	One-Piece Frame
BNT2786	Quick-Fire II Clutch Bar