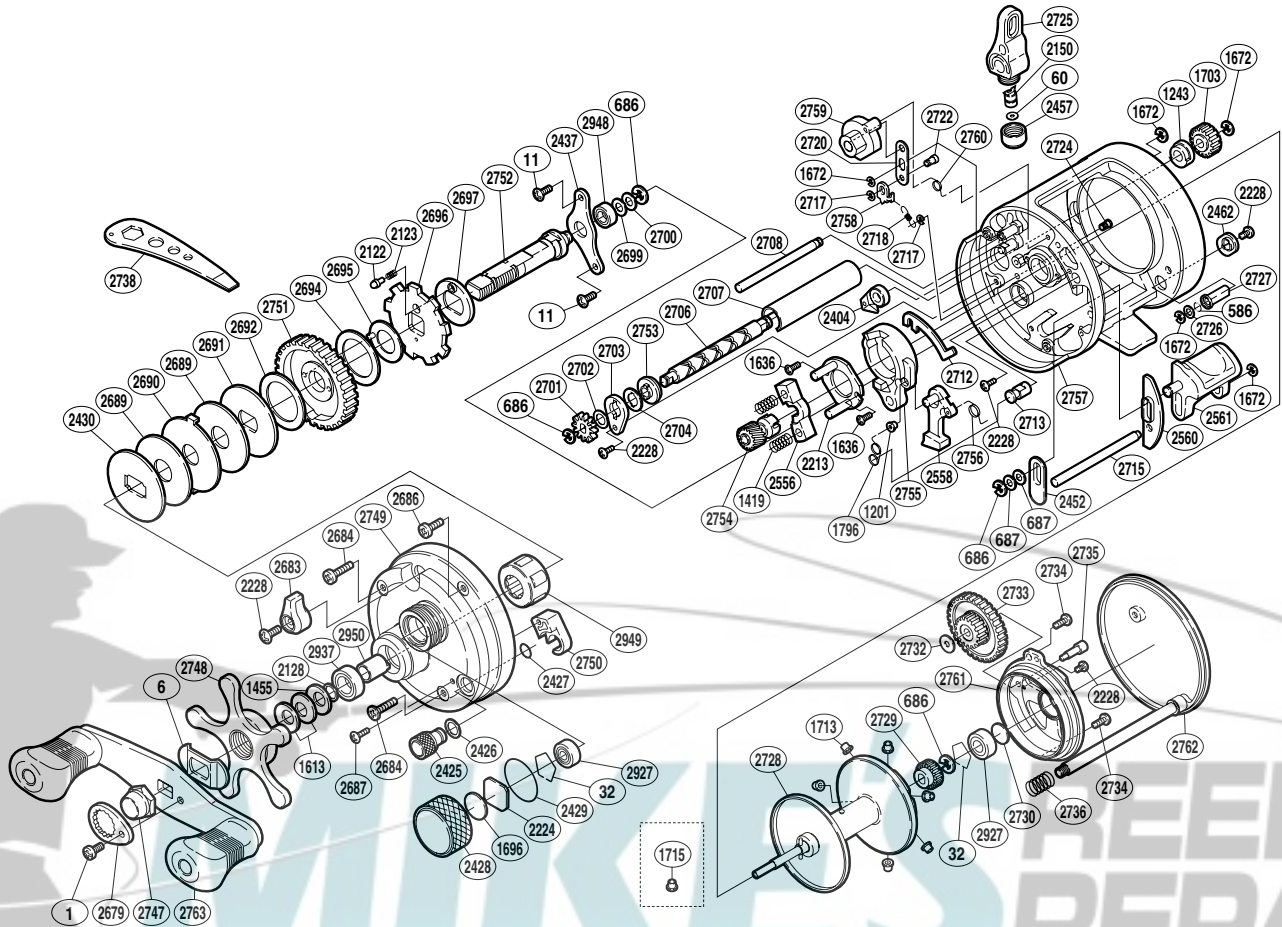


SHIMANO®

CALCUTTA TE

CTE-401



Part No.	Description	Part No.	Description	Part No.	Description
BNT0001	Handle Nut Plate Screw	BNT2452	Clutch Bar Guide (A)	BNT2726	Damper Washer
BNT0006	Friction Washer (A)	BNT2454	Clutch Bar Guide (B)	BNT2727	Damper (A)
BNT0011	Drive Shaft Retainer Screw	BNT2457	Pawl Cap	BNT2728	Spool Assembly
BNT0032	Bearing Retainer	BNT2462	Damper Guide	BNT2729	Idle Gear (A)
BNT0060	Spacer (optional)	BNT2561	Quick-Fire II Clutch Bar	BNT2730	Spacer (B)
BNT0586	Bolt Retainer	BNT2679	Handle Nut Plate	BNT2732	Idle Gear "B" Washer
BNT0686	Click Pawl Retainer	BNT2683	Click Switch	BNT2733	Idle Gear "B"
BNT0687	Click Pawl Spacer	BNT2684	Left Side Plate Screw (A)	BNT2734	Brake Case Screw
BNT1201	Retractor Spring Collar	BNT2686	Left Side Plate Screw (B)	BNT2735	Idle Gear Shaft
BNT1243	Worm Bushing (B)	BNT2687	Cam Backing Plate Screw	BNT2736	Right Side Plate Spring
BNT1419	Yoke Spring	BNT2689	Drag Washer (A)	BNT2747	Handle Nut
BNT1455	Drag Spring Washer (H)	BNT2690	Key Washer (B)	BNT2748	Star Drag
BNT1613	Drag Spring Washer (L)	BNT2691	Base Drag Disc	BNT2749	Left Side Plate
BNT1636	Clutch Cam Screw	BNT2692	Drag Washer (C)	BNT2750	Cam Backing Plate
BNT1672	"E" Lock	BNT2694	Drag Washer (A)	BNT2751	Drive Gear
BNT1696	Cast Control Spacer (B)	BNT2695	Drag Click Plate	BNT2752	Drive Shaft
BNT1703	Idle Gear (C)	BNT2696	Anti-Reverse Ratchet	BNT2753	Worm Bushing (A)
BNT1713	Brake Collar (green)	BNT2697	Drag Click Pin Holder	BNT2754	Pinion Gear (A)
BNT1796	Retractor Spring	BNT2699	Drive Shaft Washer (A)	BNT2755	Clutch Cam
BNT2122	Drag Click Pin	BNT2700	Drive Shaft Washer (B)	BNT2756	Clutch Pawl Spring
BNT2123	Drag Click Spring	BNT2701	Click Gear	BNT2757	One-Piece Frame
BNT2128	Bearing Washer	BNT2702	Worm Shaft Washer (B)	BNT2758	Click Pawl
BNT2150	Line Guide Pawl	BNT2703	Worm Bushing (A) Retainer	BNT2759	Click Switch Cam
BNT2165	Clutch Cam Retainer	BNT2704	Worm Shaft Washer (A)	BNT2760	Click Switch Spring
BNT2224	Spool Tension Spacer (A)	BNT2706	Worm Shaft	BNT2761	Brake Case
BNT2228	Clutch Cam Screw	BNT2707	Level Wind Guard	BNT2762	Right Side Plate
BNT2404	Anti-Reverse Pawl	BNT2708	Level Wind Guide	BNT2763	Handle Assembly
BNT2425	Side Plate Open Nut	BNT2712	Clutch Plate	BNT2927	Ball Bearing
BNT2426	Open Nut Washer	BNT2713	Retractor Spring Pin	BNT2937	Star Drag Bearing
BNT2427	"O" Ring	BNT2715	Clutch Bar Support	BNT2948	Ball Bearing
BNT2428	Cast Control Cap	BNT2717	"E" Lock	BNT2949	Roller Clutch Bearing
BNT2429	"O" Ring	BNT2718	Click Spring	BNT2950	Roller Clutch Inner Tube
BNT2430	Key Washer	BNT2720	Click Link		
BNT2437	Drive Shaft Retainer	BNT2722	Click Link Pin	BNT1715	Brake Collar (red)
BNT2446	Yoke	BNT2724	Click Spring Pin		
BNT2449	Clutch Pawl	BNT2725	Line Guide	BNT2738	Wrench (accessory)