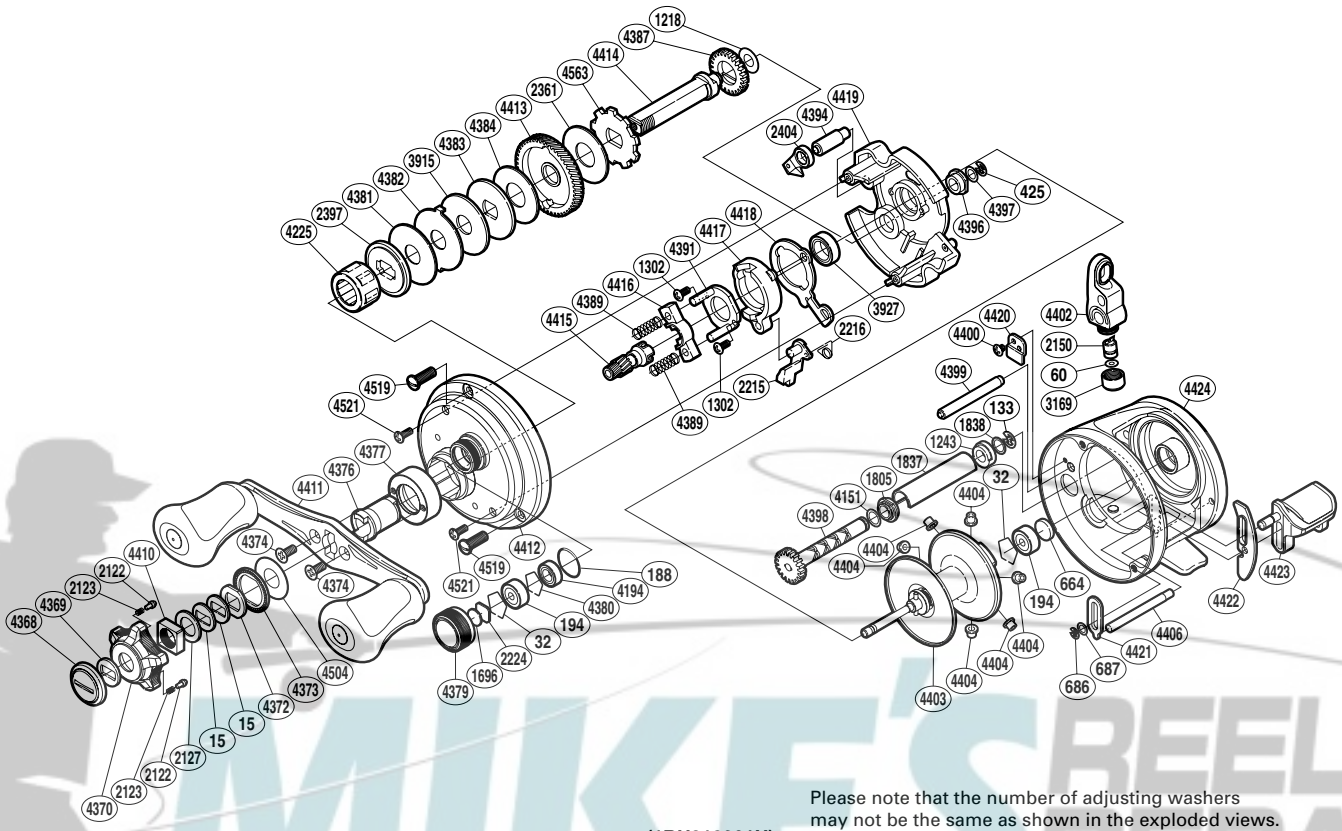


SHIMANO

CALCUTTA SA-RB

CT-201D



(1RH318201U)

Please note that the number of adjusting washers may not be the same as shown in the exploded views. (Adjustment will vary with each individual product.)

Part No.	Description	Part No.	Description	Part No.	Description
BNT0015	Drag Spring Washer	BNT3169	Pawl Cap	BNT4399	Level Wind Guide
BNT0032	Bearing Retainer	BNT3915	Drag Washer	BNT4400	Screw
BNT0060	Spacer	BNT3927	Ball Bearing	BNT4402	Line Guide
BNT0133	E Lock	BNT4151	Washer	BNT4403	Spool Assembly
BNT0188	O Ring	BNT4194	Ball Bearing	BNT4404	Brake Collar
BNT0194	Ball Bearing	BNT4225	Roller Clutch Bearing	BNT4406	Clutch Bar Support
BNT0425	E Lock	BNT4368	Handle Bolt	BNT4410	Star Drag Nut
BNT0664	Spacer B	BNT4369	Handle Lock Spring	BNT4411	Handle Assembly
BNT0686	E Lock	BNT4370	Star Drag	BNT4412	Left Side Plate
BNT0687	Spacer	BNT4372	Drive Shaft Shield	BNT4413	Drive Gear
BNT1218	Spacer	BNT4373	Star Drag Click Plate	BNT4414	Drive Shaft
BNT1243	Worm Bushing B	BNT4374	Screw	BNT4415	Pinion Gear
BNT1302	Screw	BNT4376	Roller Clutch Inner Tube	BNT4416	Yoke
BNT1696	Cast Control Spacer	BNT4377	Handle Plate	BNT4417	Clutch Cam
BNT1805	Worm Bushing A	BNT4379	Cast Control Cap	BNT4418	Clutch Plate
BNT1837	Level Wind Guard	BNT4380	Retainer	BNT4419	Set Plate
BNT1838	Spacer	BNT4381	Drag Washer	BNT4420	Worm Bushing Retainer
BNT2122	Click Pin	BNT4382	Eared Washer	BNT4421	Clutch Bar Guide A
BNT2123	Click Spring	BNT4383	Key Washer	BNT4422	Clutch Bar Guide B
BNT2127	Star Drag Spacer	BNT4384	Drag Washer	BNT4423	Quick-Fire II Clutch Bar
BNT2150	Line Guide Pawl	BNT4387	Idle Gear	BNT4424	One-Piece Frame
BNT2215	Clutch Pawl	BNT4389	Yoke Spring	BNT4504	Washer
BNT2216	Clutch Pawl Spring	BNT4391	Clutch Cam Retainer	BNT4519	Screw
BNT2224	Spool Tension Spacer	BNT4394	Anti-Reverse Pawl Pin	BNT4521	Screw
BNT2361	Drag Washer	BNT4396	Drive Shaft Bushing	BNT4563	Anti-Reverse Ratchet
BNT2397	Key Washer	BNT4397	Washer		
BNT2404	Anti-Reverse Pawl	BNT4398	Worm Shaft		