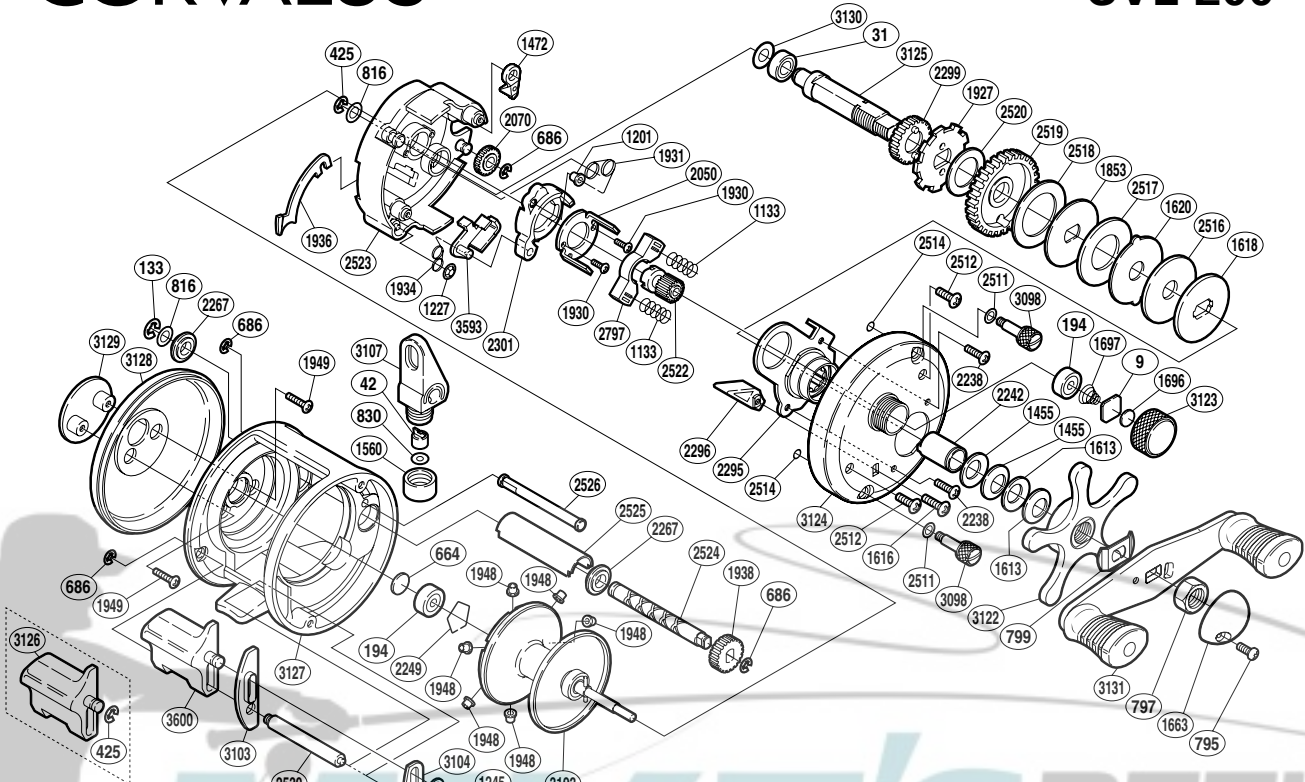


SHIMANO

CORVALUS

CVL-200



Due to the dimension changes on the E Lock and Clutch Bar, please exchange both the E Lock and Clutch Bar as follows:

-Before change:	E Lock	BNT0425 (inside dia 3.0mm)
	Clutch Bar	BNT3126 (outside dia 3.0mm)
-After change:	E Lock	BNT0686 (inside dia 2.5mm)
	Clutch Bar	BNT3600 (outside dia 2.5mm)

If the wrong combination is used, the reel will not be properly repaired.

Part No.	Description	Part No.	Description	Part No.	Description
BNT0009	Spacer	BNT1697	Spool Tension Spring	BNT2519	Drive Gear
BNT0031	Ball Bearing	BNT1853	Key Washer A	BNT2520	Drive Shaft Washer B
BNT0042	Line Guide Pawl	BNT1927	Anti-Reverse Ratchet	BNT2522	Pinion Gear
BNT0133	E Lock	BNT1930	Screw	BNT2523	Set Plate
BNT0194	Ball Bearing	BNT1931	Retractor Spring	BNT2524	Worm Shaft
BNT0425	E Lock	BNT1934	Clutch Pawl Spring	BNT2525	Level Wind Guard
BNT0664	Spacer B	BNT1936	Clutch Plate	BNT2526	Stabilizer Bar
BNT0686	E Lock	BNT1938	Idle Gear C	BNT2530	Clutch Button Support Bar
BNT0795	Screw	BNT1948	Brake Collar	BNT2797	Yoke
BNT0797	Handle Nut	BNT1949	Screw	BNT3098	Side Plate Nut
BNT0799	Friction Washer	BNT2050	Clutch Cam Retainer	BNT3103	Clutch Button Guide A
BNT0816	Washer	BNT2070	Idle Gear B	BNT3104	Clutch Button Guide B
BNT0830	Spacer	BNT2238	Screw	BNT3107	Line Guide
BNT1133	Yoke Spring	BNT2242	Roller Clutch Inner Tube	BNT3122	Star Drag
BNT1201	Retractor Spring Collar	BNT2249	Bearing Retainer	BNT3123	Cast Control Cap
BNT1227	Push Nut (SPN-2)	BNT2267	Worm Bushing B	BNT3124	Right Side Plate
BNT1245	Spacer	BNT2295	Roller Clutch Assembly	BNT3125	Drive Shaft
BNT1455	Drag Spring Washer H	BNT2296	Return Pin Guide	BNT3127	One-Piece Frame
BNT1472	Anti-Reverse Pawl	BNT2299	Idle Gear A	BNT3128	Left Side Plate
BNT1560	Pawl Cap	BNT2301	Clutch Cam	BNT3129	Side I.D. Plate
BNT1613	Drag Spring Washer L	BNT2511	Washer	BNT3130	Washer
BNT1616	Screw	BNT2512	Screw	BNT3131	Handle Assembly
BNT1618	Key Washer C	BNT2514	O Ring	BNT3193	Spool Assembly
BNT1620	Eared Washer	BNT2516	Drag Washer AG	BNT3593	Clutch Pawl
BNT1663	Handle Nut Plate	BNT2517	Drag Washer CG	BNT3600	Quick-Fire II Clutch Bar
BNT1696	Spacer	BNT2518	Drag Washer BG		