

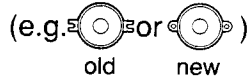
# SHIMANO®

## 1992 REPAIR MANUAL

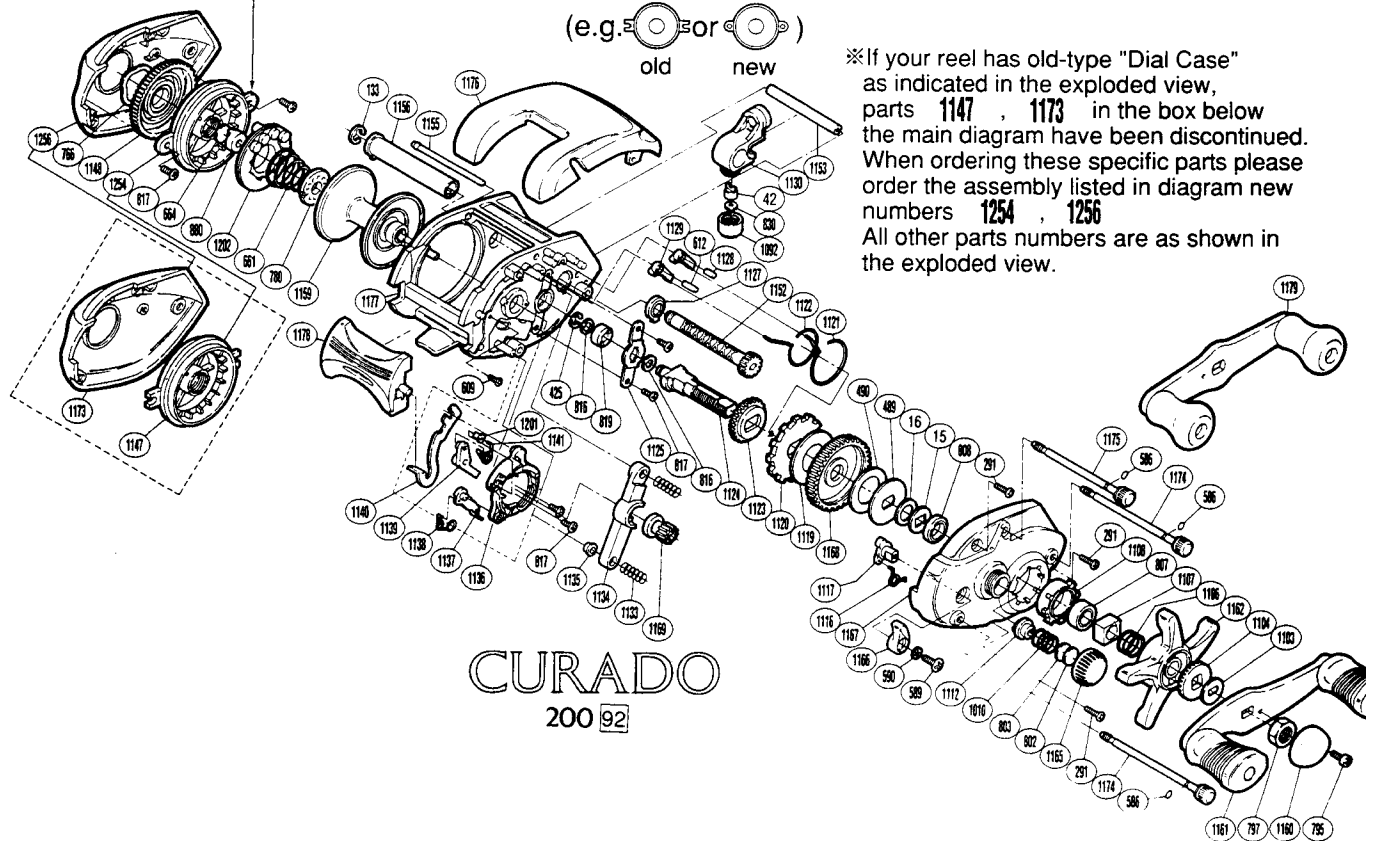
Shimano American Corporation, One Shimano Dr.  
Irvine, CA 92718

※Please check this eared part of the "Dial Case"

here to see whether you have old or new-type reel.



※If your reel has old-type "Dial Case" as indicated in the exploded view, parts 1147, 1173 in the box below the main diagram have been discontinued. When ordering these specific parts please order the assembly listed in diagram new numbers 1254, 1256. All other parts numbers are as shown in the exploded view.



CURADO  
200 92

| BNT No. | PARTS NAMES                 | BNT No. | PARTS NAMES                  | BNT No. | PARTS NAMES                |
|---------|-----------------------------|---------|------------------------------|---------|----------------------------|
| 0015    | Drag Spring Washer          | 1103    | Friction Washer (A)          | 1153    | Stabilizer Bar             |
| 0016    | Friction Washer (C)         | 1104    | Click Gear                   | 1155    | Thumb Rest Support         |
| 0042    | Line Guide Pawl             | 1106    | Star Drag Spring             | 1156    | Level Wind Guard           |
| 0133    | Worm Shaft Retainer         | 1107    | Star Drag Nut                | 1159    | Spool Assembly             |
| 0291    | Right Side Plate Screw      | 1108    | Bearing Holder               | 1160    | Handle Nut Cover           |
| 0425    | Drive Shaft Lock            | 1112    | Spool Shaft Bushing (A)      | 1161    | Twin Power Handle Assembly |
| 0489    | Key Washer (A)              | 1116    | Cam Spring                   | 1162    | Star Drag                  |
| 0490    | Drag Washer (B)             | 1117    | Flipping Cam                 | 1165    | Cast Control Cap           |
| 0586    | Bolt Retainer               | 1119    | Drag Washer (A)              | 1166    | Flipping Lever             |
| 0589    | Flipping Lever Screw        | 1120    | Anti-Reverse Ratchet         | 1167    | Right Side Plate           |
| 0590    | Lock Washer                 | 1121    | Anti-Reverse Pawl Spring (B) | 1168    | Drive Gear                 |
| 0609    | Clutch Plate Retainer Screw | 1122    | Anti-Reverse Pawl Spring (A) | 1169    | Pinion Gear                |
| 0612    | Anti-Reverse Pawl Pin (A)   | 1123    | Idle Gear                    | 1174    | Side Plate Bolt (A)        |
| 0661    | Magnet Retainer Spring      | 1124    | Drive Shaft                  | 1175    | Side Plate Bolt (B)        |
| 0664    | Spacer (B)                  | 1125    | Drive Shaft Retainer         | 1176    | Thumb Rest                 |
| 0766    | Dial Friction Washer        | 1127    | Worm Bearing                 | 1177    | One-Piece Frame            |
| 0780    | Magnet Retainer Lock        | 1128    | Anti-Reverse Pawl Pin (B)    | 1178    | Quick-Fire II Clutch Bar   |
| 0795    | Handle Nut Cover Screw      | 1129    | Anti-Reverse Pawl            | 1179    | Handle Assembly (spare)    |
| 0797    | Handle Nut                  | 1130    | Line Guide                   | 1201    | Retractor Spring Collar    |
| 0802    | Spool Tension Spacer (B)    | 1133    | Yoke Spring                  | 1202    | Magnet Retainer            |
| 0803    | Spool Tension Spacer (A)    | 1134    | Yoke                         | 1254    | Dial Case                  |
| 0807    | Drive Shaft Bearing         | 1135    | Yoke Spacer                  | 1256    | Left Side Plate            |
| 0808    | Friction Washer (B)         | 1136    | Clutch Cam                   |         |                            |
| 0816    | Drive Shaft Washer          | 1137    | Clutch Pawl                  |         |                            |
| 0817    | Multi Purpose Screw         | 1138    | Clutch Pawl Spring           |         |                            |
| 0819    | Drive Shaft Bushing         | 1139    | Joint Plate                  |         |                            |
| 0830    | Spacer (optional)           | 1140    | Clutch Plate                 |         |                            |
| 0880    | Spool Shaft Bushing (B)     | 1141    | Retractor Spring             |         |                            |
| 1010    | Spool Tension Spring        | 1148    | Magnetic Control Dial        | 1147    | Dial Case                  |
| 1092    | Pawl Cap                    | 1152    | Worm Shaft                   | 1173    | Left Side Plate            |