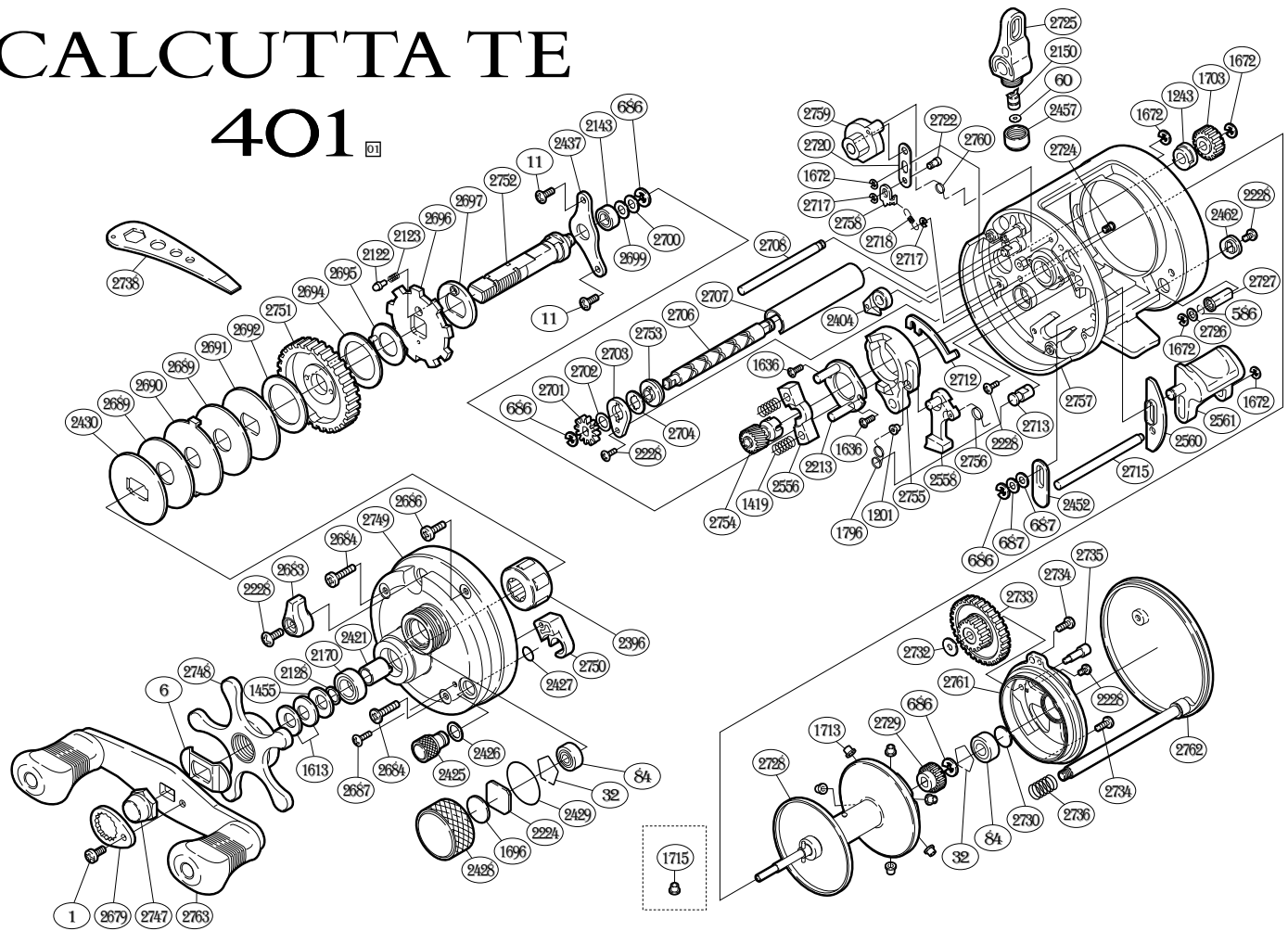




CALCUTTA TE 401



Part No.	Description
BNT0001	Handle Nut Plate Screw
BNT0006	Friction Washer (A)
BNT0011	Drive Shaft Retainer Screw
BNT0032	Bearing Retainer
BNT0060	Spacer (optional)
BNT0084	Ball Bearing (1.64G)
BNT0586	Bolt Retainer
BNT0686	Click Pawl Retainer
BNT0687	Click Pawl Spacer
BNT1201	Retractor Spring Collar
BNT1243	Worm Bushing (B)
BNT1419	Yoke Spring
BNT1455	Drag Spring Washer (H)
BNT1613	Drag Spring Washer (L)
BNT1636	Clutch Cam Screw
BNT1672	"E" Lock
BNT1696	Cast Control Spacer (B)
BNT1703	Idle Gear (C)
BNT1713	Brake Collar (green)
BNT1796	Retractor Spring
BNT2122	Drag Click Pin
BNT2123	Drag Click Spring
BNT2128	Bearing Washer
BNT2143	Ball Bearing
BNT2150	Line Guide Pawl
BNT2165	Clutch Cam Retainer
BNT2170	Star Drag Bearing
BNT2224	Spool Tension Spacer (A)
BNT2228	Clutch Cam Screw
BNT2396	Roller Clutch Bearing
BNT2404	Anti-Reverse Pawl
BNT2421	Roller Clutch Inner Tube
BNT2425	Side Plate Open Nut
BNT2426	Open Nut Washer
BNT2427	"O" Ring
BNT2428	Cast Control Cap

Part No.	Description
BNT2429	"O" Ring
BNT2430	Key Washer
BNT2437	Drive Shaft Retainer
BNT2446	Yoke
BNT2449	Clutch Pawl
BNT2452	Clutch Bar Guide (A)
BNT2454	Clutch Bar Guide (B)
BNT2457	Pawl Cap
BNT2462	Damper Guide
BNT2561	Quick-Fire II Clutch Bar
BNT2679	Handle Nut Plate
BNT2683	Click Switch
BNT2684	Left Side Plate Screw (A)
BNT2686	Left Side Plate Screw (B)
BNT2687	Cam Backing Plate Screw
BNT2689	Drag Washer (A)
BNT2690	Key Washer (B)
BNT2691	Base Drag Disc
BNT2692	Drag Washer (C)
BNT2694	Drag Washer (A)
BNT2695	Drag Click Plate
BNT2696	Anti-Reverse Ratchet
BNT2697	Drag Click Pin Holder
BNT2699	Drive Shaft Washer (A)
BNT2700	Drive Shaft Washer (B)
BNT2701	Click Gear
BNT2702	Worm Shaft Washer (B)
BNT2703	Worm Bushing (A) Retainer
BNT2704	Worm Shaft Washer (A)
BNT2706	Worm Shaft
BNT2707	Level Wind Guard
BNT2708	Level Wind Guide
BNT2712	Clutch Plate
BNT2713	Retractor Spring Pin
BNT2715	Clutch Bar Support
BNT2717	"E" Lock

Part No.	Description
BNT2718	Click Spring
BNT2720	Click Link
BNT2722	Click Link Pin
BNT2724	Click Spring Pin
BNT2725	Line Guide
BNT2726	Damper Washer
BNT2727	Damper (A)
BNT2728	Spool Assembly
BNT2729	Idle Gear (A)
BNT2730	Spacer (B)
BNT2732	Idle Gear "B" Washer
BNT2733	Idle Gear "B"
BNT2734	Brake Case Screw
BNT2735	Idle Gear Shaft
BNT2736	Right Side Plate Spring
BNT2747	Handle Nut
BNT2748	Star Drag
BNT2749	Left Side Plate
BNT2750	Cam Backing Plate
BNT2751	Drive Gear
BNT2752	Drive Shaft
BNT2753	Worm Bushing (A)
BNT2754	Pinion Gear (A)
BNT2755	Clutch Cam
BNT2756	Clutch Pawl Spring
BNT2757	One-Piece Frame
BNT2758	Click Pawl
BNT2759	Click Switch Cam
BNT2760	Click Switch Spring
BNT2761	Brake Case
BNT2762	Right Side Plate
BNT2763	Handle Assembly
BNT1715	Brake Collar (red)
BNT2738	Wrench (accessory)