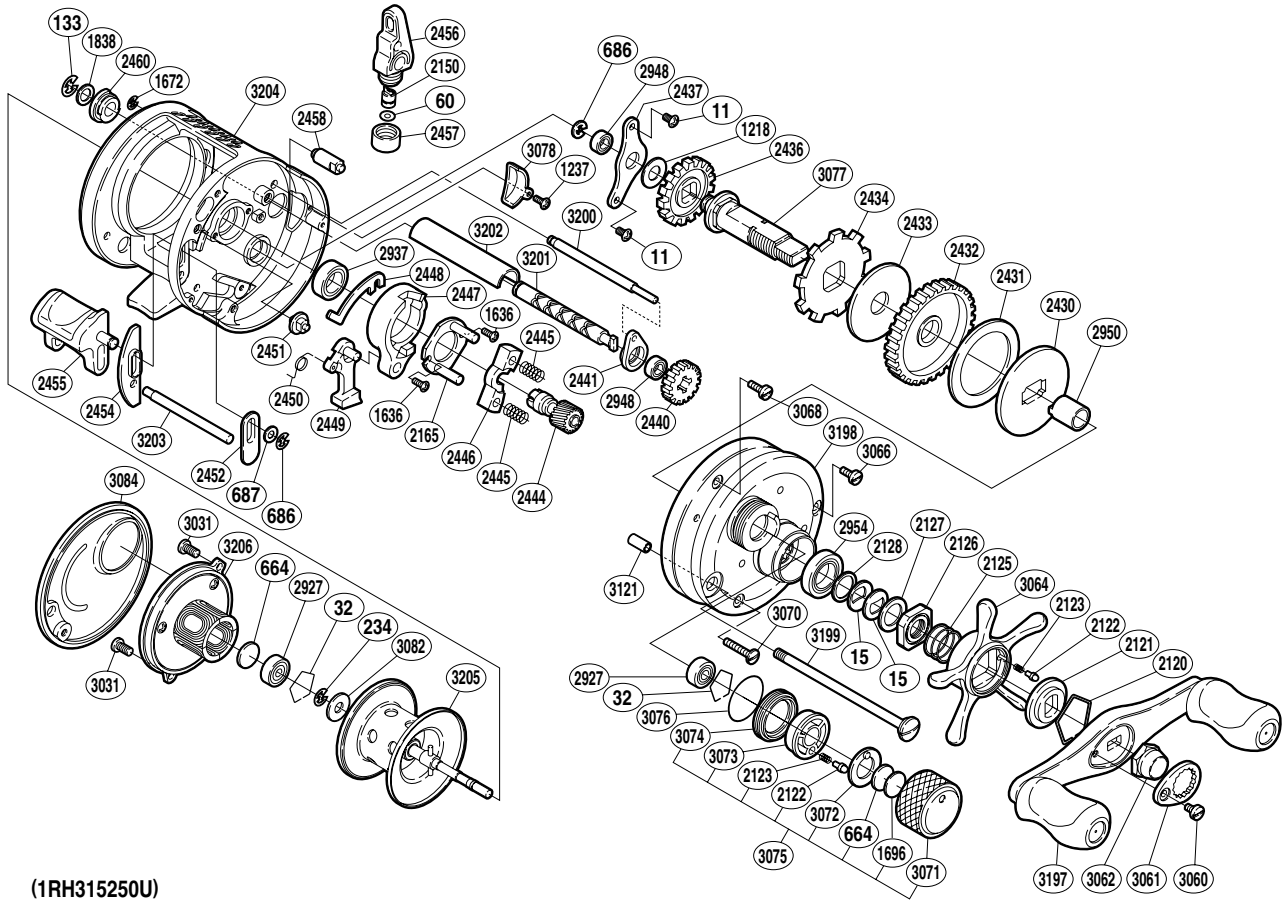


SHIMANO®

CALCUTTA TE

CTE-250DC



(1RH315250U)

Part No.	Description	Part No.	Description	Part No.	Description
BNT0011	Screw	BNT2433	Drag Washer A	BNT3061	Handle Nut Plate
BNT0015	Drag Spring Washer	BNT2434	Anti-Reverse Ratchet	BNT3062	Handle Nut
BNT0032	Bearing Retainer	BNT2436	Idle Gear A	BNT3064	Star Drag
BNT0060	Spacer	BNT2437	Drive Shaft Retainer	BNT3066	Screw
BNT0133	E Lock	BNT2440	Idle Gear C	BNT3068	Screw
BNT0234	E Lock	BNT2441	Worm Bushing A	BNT3070	Screw
BNT0664	Spacer B	BNT2444	Pinion Gear	BNT3071	Cast Control Cap
BNT0686	E Lock	BNT2445	Yoke Spring	BNT3072	Cast Control Click Plate
BNT0687	Spacer	BNT2446	Yoke	BNT3073	Click Pin Holder
BNT1218	Idle Gear A Spacer	BNT2447	Clutch Cam	BNT3074	Cast Control Click Holder
BNT1237	Screw	BNT2448	Clutch Plate	BNT3075	Cast Control Cap Assembly
BNT1636	Screw	BNT2449	Clutch Pawl	BNT3076	O Ring
BNT1672	E Lock	BNT2450	Clutch Pawl Spring	BNT3077	Drive Shaft
BNT1696	Cast Control Spacer B	BNT2451	Set Pin	BNT3078	Frame Shield
BNT1838	Worm Shaft Spacer	BNT2452	Clutch Bar Guide A	BNT3082	Magnetic Plate
BNT2120	Click Plate Retainer	BNT2454	Clutch Bar Guide B	BNT3084	Left Side Plate
BNT2121	Star Drag Click	BNT2455	Quick-Fire II Clutch Bar	BNT3121	Screw Collar
BNT2122	Click Pin	BNT2456	Line Guide	BNT3197	Handle Assembly
BNT2123	Click Spring	BNT2457	Pawl Cap	BNT3198	Right Side Plate
BNT2125	Star Drag Spring	BNT2458	Anti-Reverse Pawl Pin	BNT3199	Side Plate Shaft
BNT2126	Star Drag Nut	BNT2460	Worm Bushing B	BNT3200	Level Wind Guide
BNT2127	Star Drag Spacer	BNT2927	Ball Bearing	BNT3201	Worm Shaft
BNT2128	Bearing Washer	BNT2937	Ball Bearing	BNT3202	Level Wind Guard
BNT2150	Line Guide Pawl	BNT2948	Ball Bearing	BNT3203	Clutch Bar Support
BNT2165	Clutch Cam Retainer	BNT2950	Roller Clutch Inner Tube	BNT3204	One-Piece Frame
BNT2430	Key Washer	BNT2954	Star Drag Bearing	BNT3205	Spool Assembly
BNT2431	Drag Washer C	BNT3031	Screw	BNT3206	Digital Control Assembly
BNT2432	Drive Gear	BNT3060	Screw		