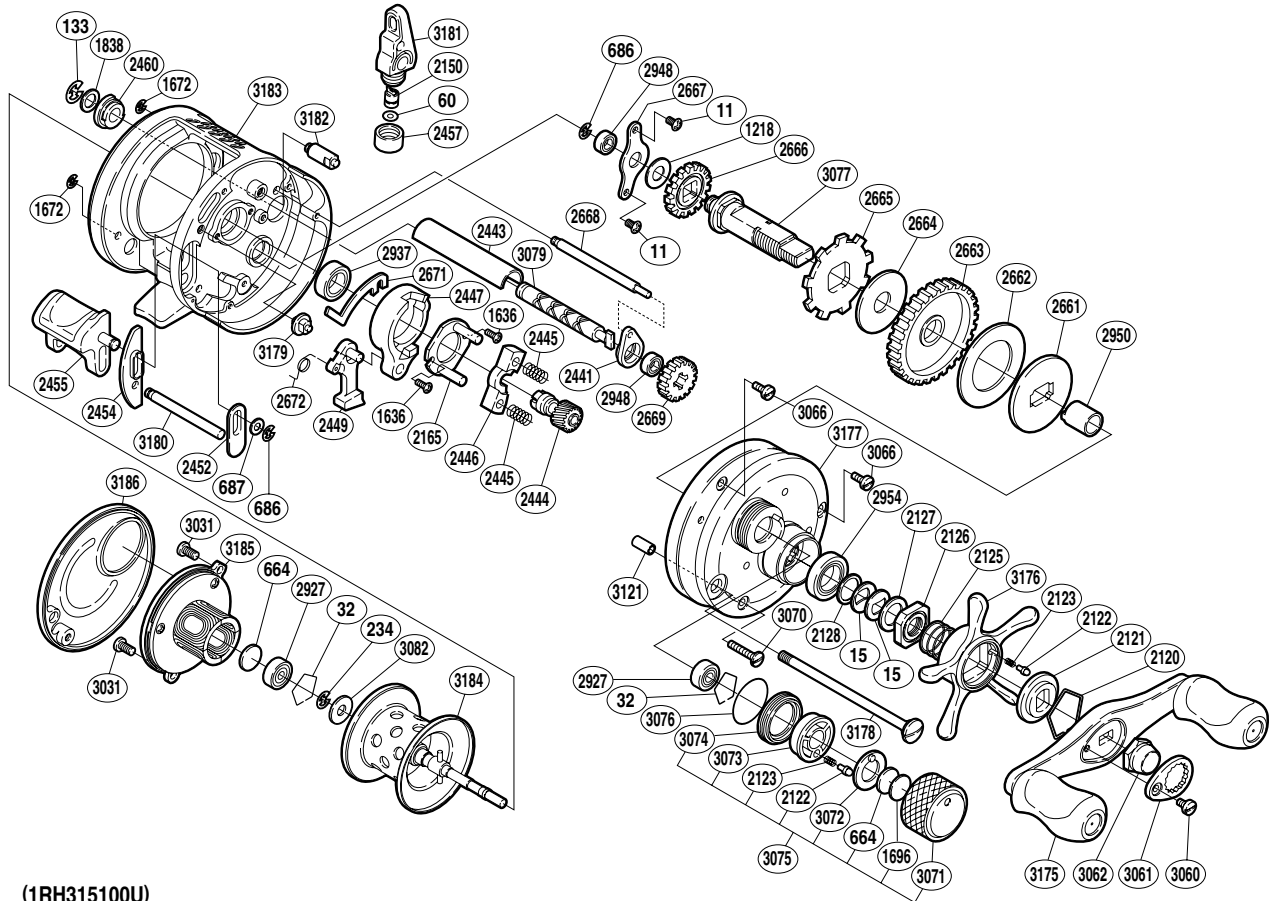


SHIMANO®

CALCUTTA TE

CTE-100DC



(1RH315100U)

Part No.	Description	Part No.	Description	Part No.	Description
BNT0011	Screw	BNT2445	Yoke Spring	BNT3061	Handle Nut Plate
BNT0015	Drag Spring Washer	BNT2446	Yoke	BNT3062	Handle Nut
BNT0032	Bearing Retainer	BNT2447	Clutch Cam	BNT3066	Screw
BNT0060	Spacer	BNT2449	Clutch Pawl	BNT3070	Screw
BNT0133	E Lock	BNT2452	Clutch Bar Guide A	BNT3071	Cast Control Cap
BNT0234	E Lock	BNT2454	Clutch Bar Guide B	BNT3072	Cast Control Click Plate
BNT0664	Spacer B	BNT2455	Quick-Fire II Clutch Bar	BNT3073	Click Pin Holder
BNT0686	E Lock	BNT2457	Pawl Cap	BNT3074	Cast Control Click Holder
BNT0687	Spacer	BNT2460	Worm Bushing B	BNT3075	Cast Control Cap Assembly
BNT1218	Spacer	BNT2661	Key Washer	BNT3076	O Ring
BNT1636	Screw	BNT2662	Drag Washer C	BNT3077	Drive Shaft
BNT1672	E Lock	BNT2663	Drive Gear	BNT3079	Worm Shaft
BNT1696	Cast Control Spacer B	BNT2664	Drag Washer A	BNT3082	Magnetic Plate
BNT1838	Spacer	BNT2665	Anti-Reverse Ratchet	BNT3121	Screw Collar
BNT2120	Click Plate Retainer	BNT2666	Idle Gear A	BNT3175	Handle Assembly
BNT2121	Star Drag Click	BNT2667	Drive Shaft Retainer	BNT3176	Star Drag
BNT2122	Click Pin	BNT2668	Level Wind Guide	BNT3177	Right Side Plate
BNT2123	Click Spring	BNT2669	Idle Gear C	BNT3178	Side Plate Shaft
BNT2125	Star Drag Spring	BNT2671	Clutch Plate	BNT3179	Set Pin
BNT2126	Star Drag Nut	BNT2672	Clutch Pawl Spring	BNT3180	Clutch Bar Support
BNT2127	Star Drag Spacer	BNT2927	Ball Bearing	BNT3181	Line Guide
BNT2128	Bearing Washer	BNT2937	Ball Bearing	BNT3182	Anti-Reverse Pawl Pin
BNT2150	Line Guide Pawl	BNT2948	Ball Bearing	BNT3183	One-Piece Frame
BNT2165	Clutch Cam Retainer	BNT2950	Roller Clutch Inner Tube	BNT3184	Spool Assembly
BNT2441	Worm Bushing A	BNT2954	Star Drag Bearing	BNT3185	Digital Control Assembly
BNT2443	Level Wind Guard	BNT3031	Screw	BNT3186	Left Side Plate
BNT2444	Pinion Gear	BNT3060	Screw		

(160530)