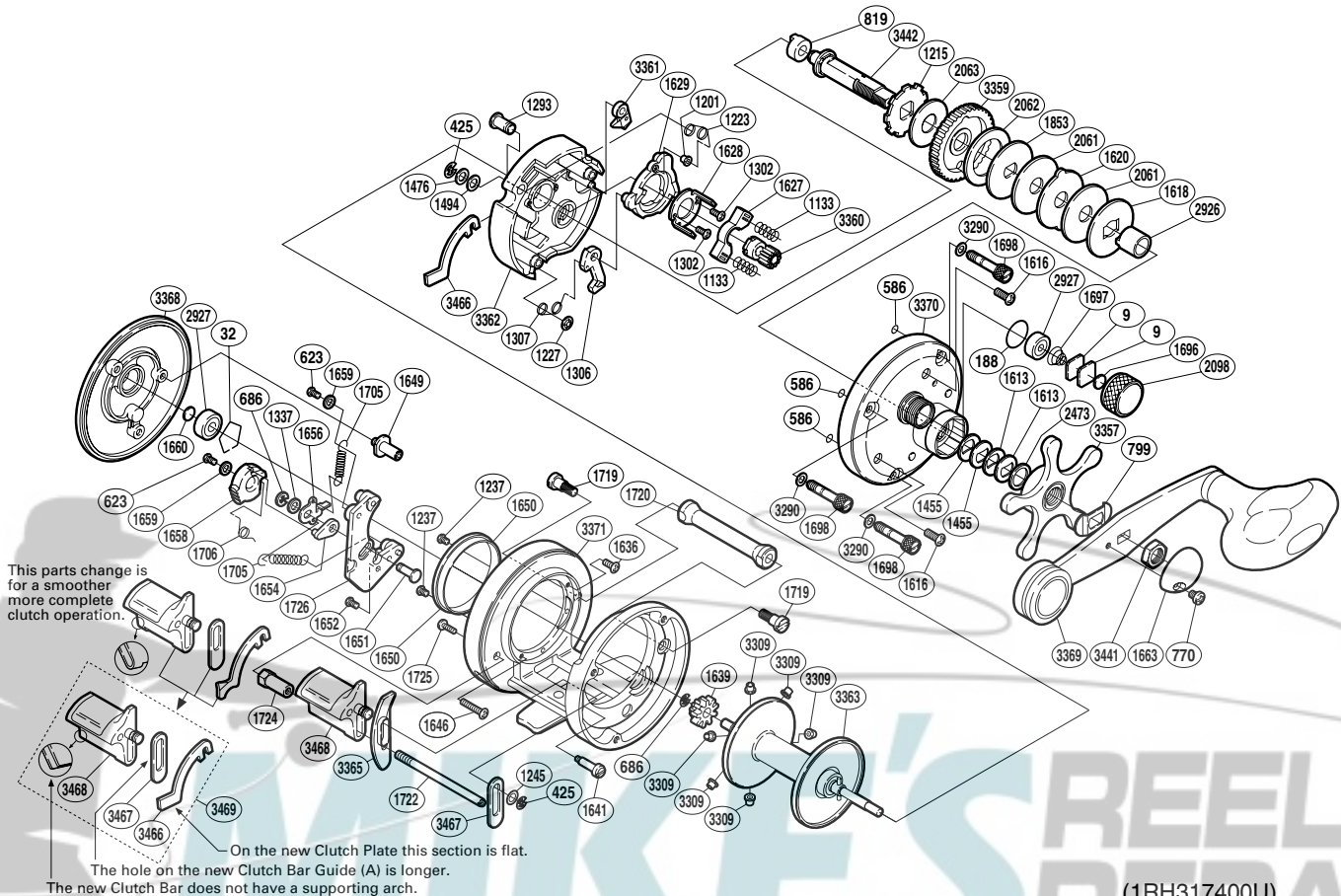


SHIMANO®

CALCUTTA A-RB

CT-400BSV



(1RH317400U)

Part No.	Description	Part No.	Description	Part No.	Description
BNT0009	Cast Control Spacer	BNT1726	Eared Washer	BNT1726	Click Plate
BNT0032	Bearing Retainer	BNT1627	Yoke	BNT1853	Key Washer
BNT0188	O Ring	BNT1628	Clutch Cam Retainer	BNT2061	Drag Washer
BNT0425	E Lock	BNT1629	Clutch Cam	BNT2062	Drag Washer
BNT0586	O Ring	BNT1636	Screw	BNT2063	Drag Washer
BNT0623	Screw	BNT1639	Idle Gear A / Click Gear	BNT2098	Cast Control Cap
BNT0686	E Lock	BNT1641	Side Plate Bolt	BNT2473	Star Drag Spacer
BNT0770	Screw	BNT1646	Screw	BNT2926	Roller Clutch Inner Tube
BNT0799	Friction Washer	BNT1649	Idle Gear Shaft	BNT2927	Ball Bearing
BNT0819	Drive Shaft Bushing	BNT1650	Brake Ring	BNT3290	Washer
BNT1133	Yoke Spring	BNT1651	Click Shaft	BNT3309	Brake Collar
BNT1201	Retractor Spring Collar	BNT1652	Screw	BNT3357	Star Drag
BNT1215	Anti-Reverse Ratchet	BNT1654	Click Link	BNT3359	Drive Gear
BNT1223	Retractor Spring	BNT1656	Click Pawl	BNT3360	Pinion Gear
BNT1227	Push Nut (SPN-2)	BNT1658	Click Switch	BNT3361	Anti-Reverse Pawl
BNT1237	Screw	BNT1659	Lock Washer	BNT3362	Set Plate
BNT1245	Spacer	BNT1660	Spacer B	BNT3363	Spool Assembly
BNT1293	Retractor Spring Pin	BNT1663	Handle Nut Plate	BNT3365	Clutch Bar Guide B
BNT1302	Screw	BNT1696	Cast Control Spacer B	BNT3368	Left Side Plate
BNT1306	Clutch Pawl	BNT1697	Spool Tension Spring	BNT3369	Handle Assembly
BNT1307	Clutch Pawl Spring	BNT1698	Side Plate Bolt	BNT3370	Right Side Plate
BNT1337	Spacer	BNT1705	Click Spring	BNT3371	One-Piece Frame
BNT1455	Drag Spring Washer H	BNT1706	Click Switch Spring	BNT3441	Handle Nut
BNT1476	Spacer	BNT1719	Front Crossbar Screw	BNT3442	Drive Shaft
BNT1494	Washer	BNT1720	Front Crossbar	BNT3466	Clutch Plate
BNT1613	Drag Spring Washer L	BNT1722	Clutch Bar Support	BNT3467	Clutch Bar Guide A
BNT1616	Screw	BNT1724	Clutch Bar Support Sleeve	BNT3468	Quick-Fire II Clutch Bar
BNT1618	Key Washer	BNT1725	Screw	BNT3469	Clutch Bar Set