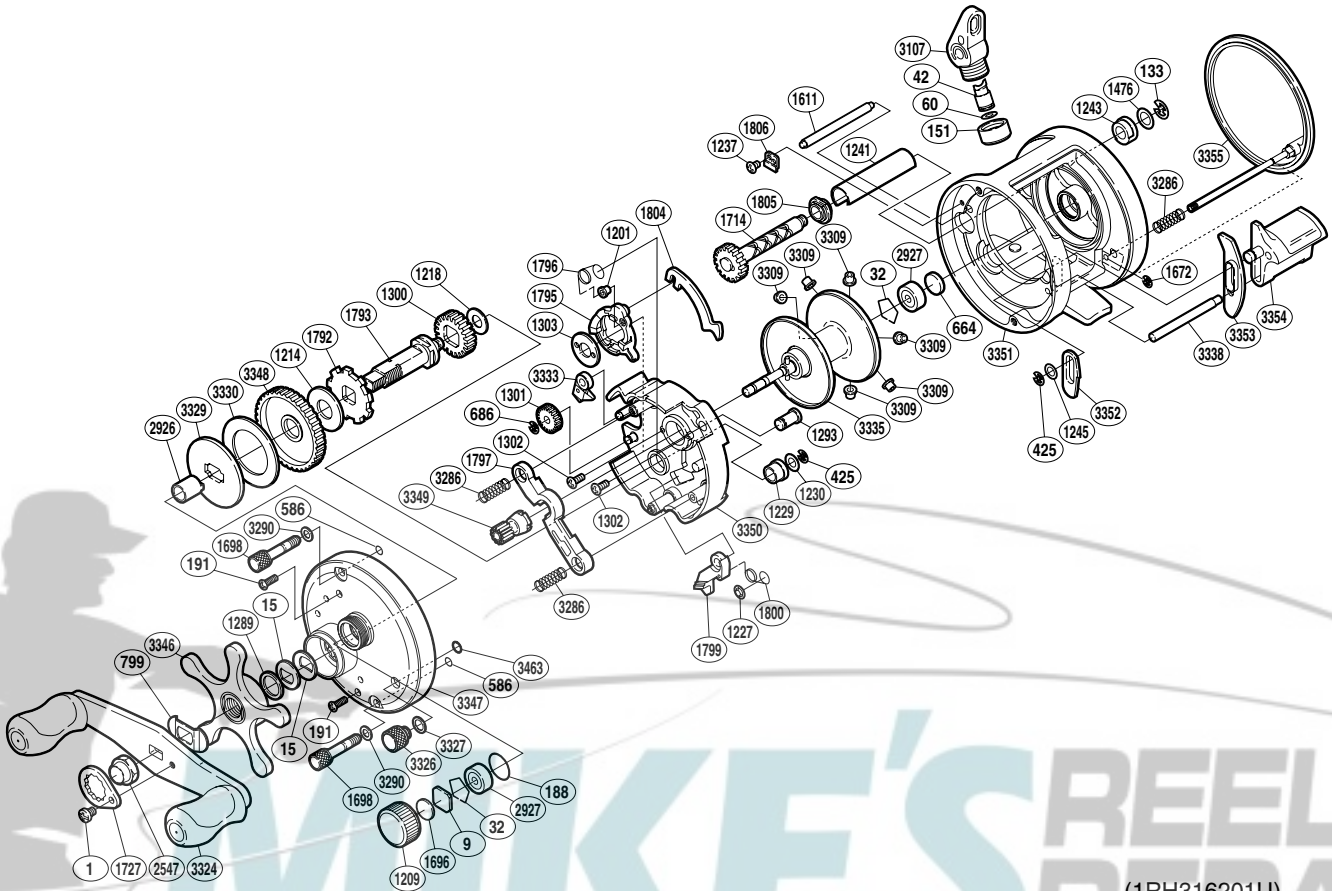


# SHIMANO®

## CALCUTTA A-RB

## CT-201B



Part No.	Description	Part No.	Description	Part No.	Description
BNT0001	Screw	BNT1245	Spacer	BNT2926	Roller Clutch Inner Tube
BNT0009	Cast Control Spacer	BNT1289	Star Drag Spacer	BNT2927	Ball Bearing
BNT0015	Drag Spring Washer	BNT1293	Retractor Spring Pin	BNT3107	Line Guide
BNT0032	Bearing Retainer	BNT1300	Idle Gear A	BNT3286	Yoke Spring
BNT0042	Line Guide Pawl	BNT1301	Idle Gear B	BNT3290	Washer
BNT0060	Spacer	BNT1302	Screw	BNT3309	Brake Collar
BNT0133	E Lock	BNT1303	Clutch Cam Retainer	BNT3324	Handle Assembly
BNT0151	Pawl Cap	BNT1476	Spacer	BNT3326	Side Plate Open Nut
BNT0188	O Ring	BNT1611	Level Wind Guide	BNT3327	Washer
BNT0191	Screw	BNT1672	E Lock	BNT3329	Key Washer
BNT0425	E Lock	BNT1696	Cast Control Spacer B	BNT3330	Drag Washer
BNT0586	O Ring	BNT1698	Side Plate Bolt	BNT3333	Anti-Reverse Pawl
BNT0664	Spacer B	BNT1714	Worm Shaft	BNT3335	Spool Assembly
BNT0686	E Lock	BNT1727	Handle Nut Plate	BNT3338	Clutch Bar Support
BNT0799	Friction Washer	BNT1792	Anti-Reverse Ratchet	BNT3346	Star Drag
BNT1201	Retractor Spring Collar	BNT1793	Drive Shaft	BNT3347	Left Side Plate
BNT1209	Cast Control Cap	BNT1795	Clutch Cam	BNT3348	Drive Gear
BNT1214	Drag Washer	BNT1796	Retractor Spring	BNT3349	Pinion Gear
BNT1218	Spacer	BNT1797	Yoke	BNT3350	Set Plate
BNT1227	Push Nut (SPN-2)	BNT1799	Clutch Pawl	BNT3351	One-Piece Frame
BNT1229	Drive Shaft Bushing	BNT1800	Clutch Pawl Spring	BNT3352	Clutch Bar Guide A
BNT1230	Spacer	BNT1804	Clutch Plate	BNT3353	Clutch Bar Guide B
BNT1237	Screw	BNT1805	Worm Bushing A	BNT3354	Quick-Fire II Clutch Bar
BNT1241	Level Wind Guard	BNT1806	Worm Bushing A Retainer	BNT3355	Right Side Plate
BNT1243	Worm Bushing B	BNT2547	Handle Nut	BNT3463	Nut Retainer