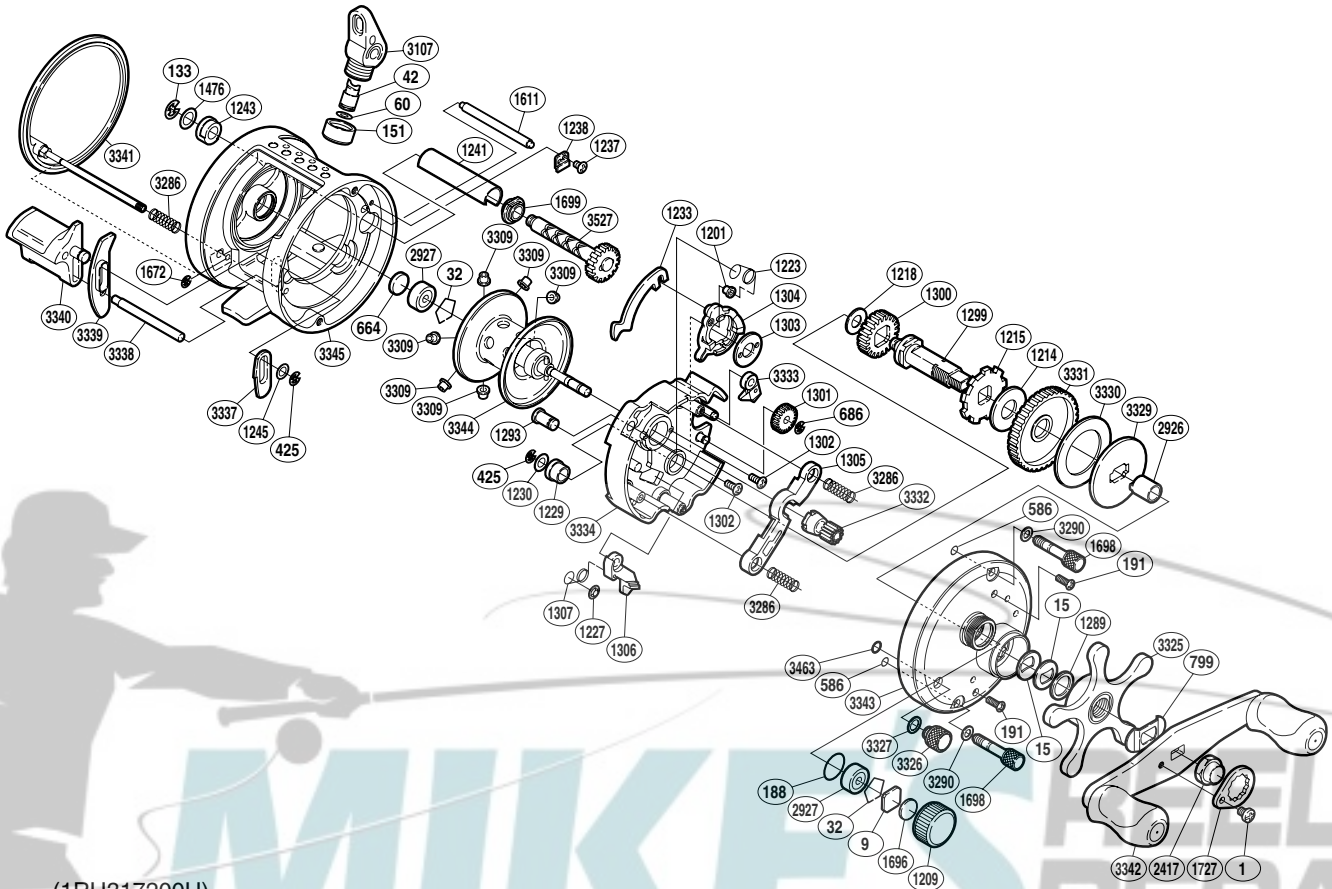


SHIMANO®

CALCUTTA A-RB

CT-200GTB



(1RH317200U)

Part No.	Description	Part No.	Description	Part No.	Description
BNT0001	Screw	BNT1237	Screw	BNT2927	Ball Bearing
BNT0009	Cast Control Spacer	BNT1238	Worm Bushing A Retainer	BNT3107	Line Guide
BNT0015	Drag Spring Washer	BNT1241	Level Wind Guard	BNT3286	Yoke Spring
BNT0032	Bearing Retainer	BNT1243	Worm Bushing B	BNT3290	Washer
BNT0042	Line Guide Pawl	BNT1245	Spacer	BNT3309	Brake Collar
BNT0060	Spacer	BNT1289	Star Drag Spacer	BNT3325	Star Drag
BNT0133	E Lock	BNT1293	Retractor Spring Pin	BNT3326	Side Plate Open Nut
BNT0151	Pawl Cap	BNT1299	Drive Shaft	BNT3327	Washer
BNT0188	O Ring	BNT1300	Idle Gear A	BNT3329	Key Washer
BNT0191	Screw	BNT1301	Idle Gear B	BNT3330	Drag Washer
BNT0425	E Lock	BNT1302	Screw	BNT3331	Drive Gear
BNT0586	O Ring	BNT1303	Clutch Cam Retainer	BNT3332	Pinion Gear
BNT0664	Spacer B	BNT1304	Clutch Cam	BNT3333	Anti-Reverse Pawl
BNT0686	E Lock	BNT1305	Yoke	BNT3334	Set Plate
BNT0799	Friction Washer	BNT1306	Clutch Pawl	BNT3337	Clutch Bar Guide A
BNT1201	Retractor Spring Collar	BNT1307	Clutch Pawl Spring	BNT3338	Clutch Bar Support
BNT1209	Cast Control Cap	BNT1476	Spacer	BNT3339	Clutch Bar Guide B
BNT1214	Drag Washer	BNT1611	Level Wind Guide	BNT3340	Quick-Fire II Clutch Bar
BNT1215	Anti-Reverse Ratchet	BNT1672	E Lock	BNT3341	Left Side Plate
BNT1218	Spacer	BNT1696	Cast Control Spacer B	BNT3342	Handle Assembly
BNT1223	Retractor Spring	BNT1698	Side Plate Bolt	BNT3343	Right Side Plate
BNT1227	Push Nut (SPN-2)	BNT1699	Worm Bushing A	BNT3344	Spool Assembly
BNT1229	Drive Shaft Bushing	BNT1727	Handle Nut Plate	BNT3345	One-Piece Frame
BNT1230	Spacer	BNT2417	Handle Nut	BNT3463	Nut Retainer
BNT1233	Clutch Plate	BNT2926	Roller Clutch Inner Tube	BNT3527	Worm Shaft