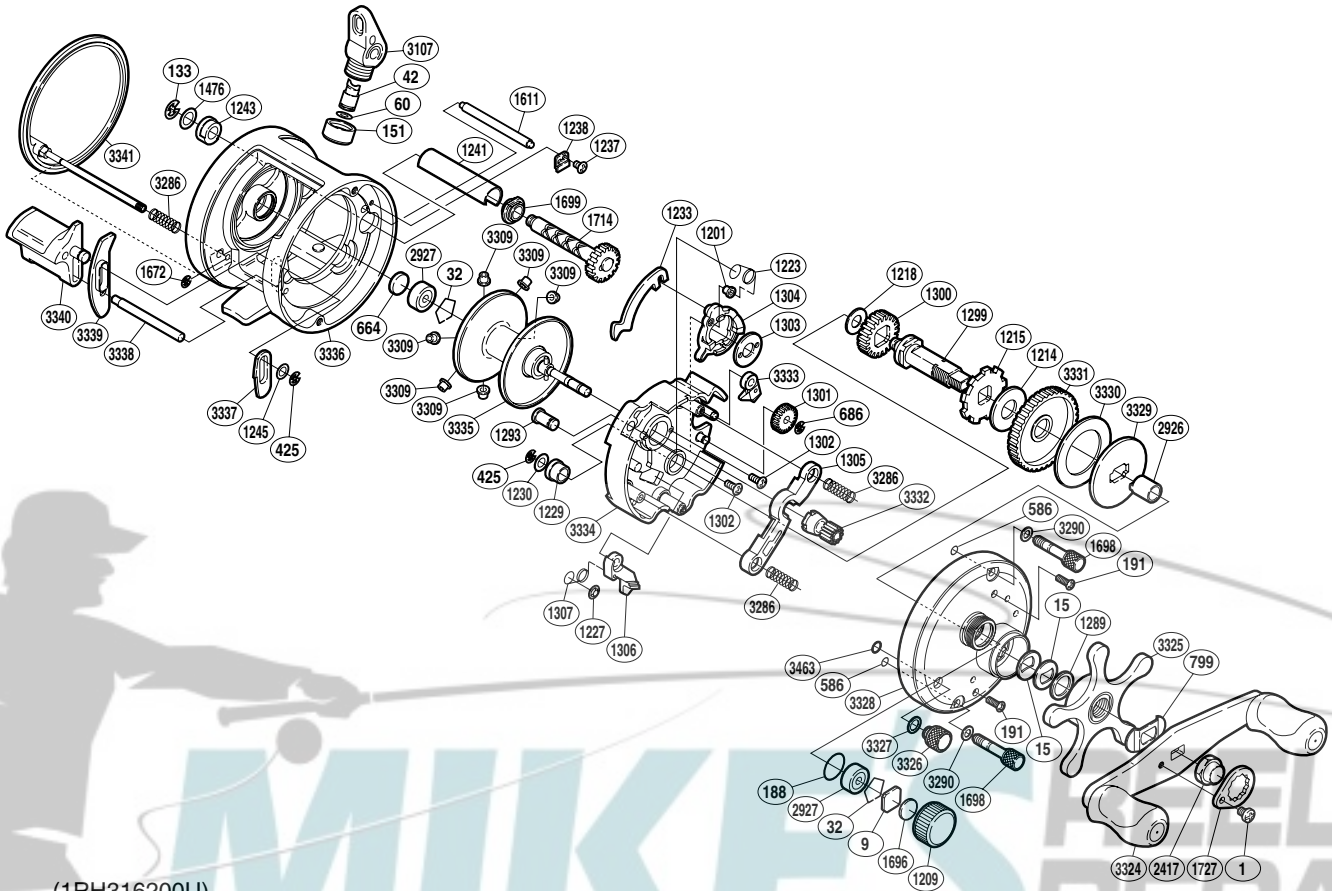


# SHIMANO®

## CALCUTTA A-RB

## CT-200B



(1RH316200U)

| Part No. | Description             | Part No. | Description             | Part No. | Description              |
|----------|-------------------------|----------|-------------------------|----------|--------------------------|
| BNT0001  | Screw                   | BNT1237  | Screw                   | BNT2926  | Roller Clutch Inner Tube |
| BNT0009  | Cast Control Spacer     | BNT1238  | Worm Bushing A Retainer | BNT2927  | Ball Bearing             |
| BNT0015  | Drag Spring Washer      | BNT1241  | Level Wind Guard        | BNT3107  | Line Guide               |
| BNT0032  | Bearing Retainer        | BNT1243  | Worm Bushing B          | BNT3286  | Yoke Spring              |
| BNT0042  | Line Guide Pawl         | BNT1245  | Spacer                  | BNT3290  | Washer                   |
| BNT0060  | Spacer                  | BNT1289  | Star Drag Spacer        | BNT3309  | Brake Collar             |
| BNT0133  | E Lock                  | BNT1293  | Retractor Spring Pin    | BNT3324  | Handle Assembly          |
| BNT0151  | Pawl Cap                | BNT1299  | Drive Shaft             | BNT3325  | Star Drag                |
| BNT0188  | O Ring                  | BNT1300  | Idle Gear A             | BNT3326  | Side Plate Open Nut      |
| BNT0191  | Screw                   | BNT1301  | Idle Gear B             | BNT3327  | Washer                   |
| BNT0425  | E Lock                  | BNT1302  | Screw                   | BNT3328  | Right Side Plate         |
| BNT0586  | O Ring                  | BNT1303  | Clutch Cam Retainer     | BNT3329  | Key Washer               |
| BNT0664  | Spacer B                | BNT1304  | Clutch Cam              | BNT3330  | Drag Washer              |
| BNT0686  | E Lock                  | BNT1305  | Yoke                    | BNT3331  | Drive Gear               |
| BNT0799  | Friction Washer         | BNT1306  | Clutch Pawl             | BNT3332  | Pinion Gear              |
| BNT1201  | Retractor Spring Collar | BNT1307  | Clutch Pawl Spring      | BNT3333  | Anti-Reverse Pawl        |
| BNT1209  | Cast Control Cap        | BNT1476  | Spacer                  | BNT3334  | Set Plate                |
| BNT1214  | Drag Washer             | BNT1611  | Level Wind Guide        | BNT3335  | Spool Assembly           |
| BNT1215  | Anti-Reverse Ratchet    | BNT1672  | E Lock                  | BNT3336  | One-Piece Frame          |
| BNT1218  | Spacer                  | BNT1696  | Cast Control Spacer B   | BNT3337  | Clutch Bar Guide A       |
| BNT1223  | Retractor Spring        | BNT1698  | Side Plate Bolt         | BNT3338  | Clutch Bar Support       |
| BNT1227  | Push Nut (SPN-2)        | BNT1699  | Worm Bushing A          | BNT3339  | Clutch Bar Guide B       |
| BNT1229  | Drive Shaft Bushing     | BNT1714  | Worm Shaft              | BNT3340  | Quick-Fire II Clutch Bar |
| BNT1230  | Spacer                  | BNT1727  | Handle Nut Plate        | BNT3341  | Left Side Plate          |
| BNT1233  | Clutch Plate            | BNT2417  | Handle Nut              | BNT3463  | Nut Retainer             |