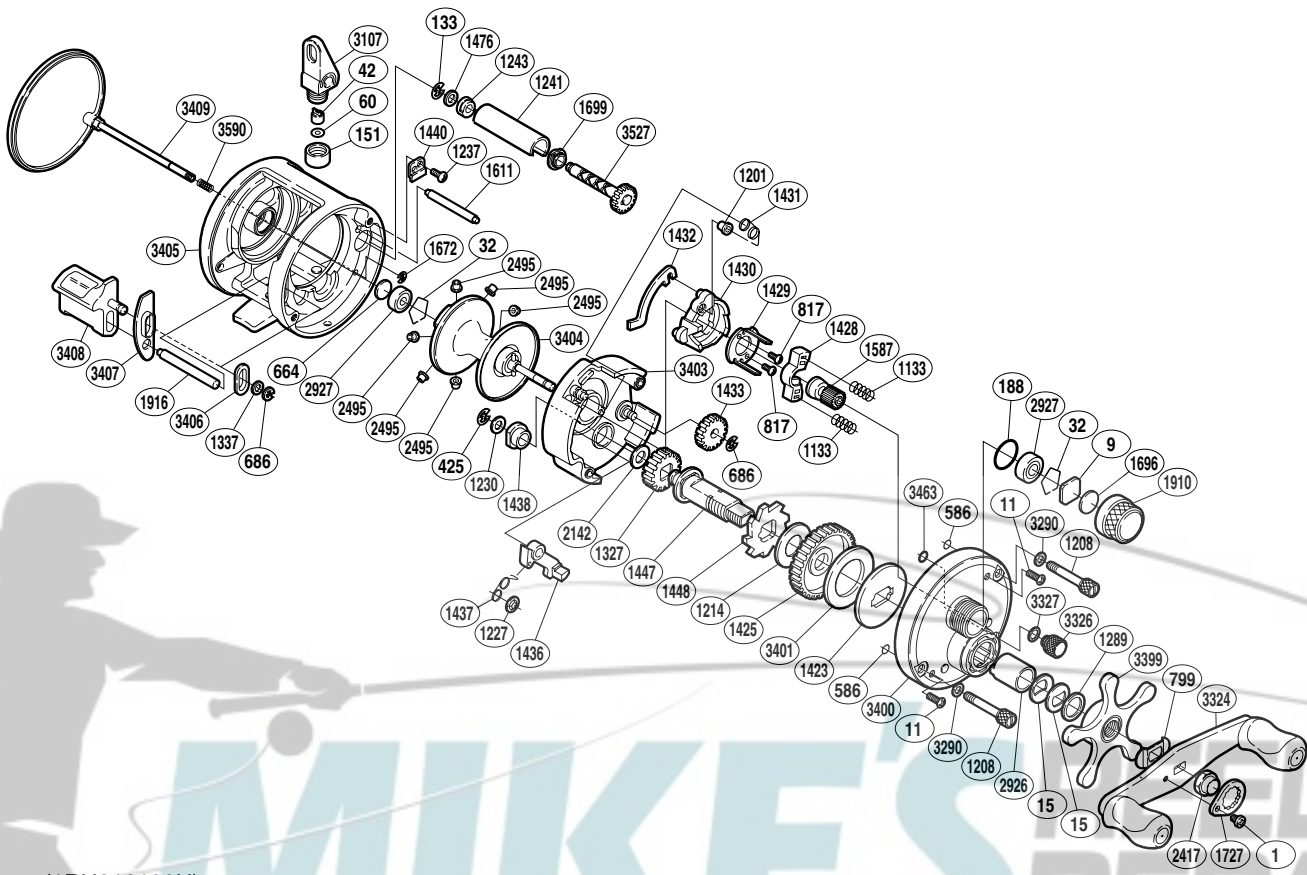


SHIMANO®

CALCUTTA A-RB

CT-100B



(1RH316100U)

Part No.	Description	Part No.	Description	Part No.	Description
BNT0001	Screw	BNT1289	Star Drag Spacer	BNT1916	Clutch Bar Support
BNT0009	Cast Control Spacer	BNT1327	Idle Gear A	BNT2142	Spacer
BNT0011	Screw	BNT1337	Spacer	BNT2417	Handle Nut
BNT0015	Drag Spring Washer	BNT1423	Key Washer	BNT2495	Brake Collar (green)
BNT0032	Bearing Retainer	BNT1425	Drive Gear	BNT2926	Roller Clutch Inner Tube
BNT0042	Line Guide Pawl	BNT1428	Yoke	BNT2927	Ball Bearing
BNT0060	Spacer	BNT1429	Clutch Cam Retainer	BNT3107	Line Guide
BNT0133	E Lock	BNT1430	Clutch Cam	BNT3290	Washer
BNT0151	Pawl Cap	BNT1431	Retractor Spring	BNT3324	Handle Assembly
BNT0188	O Ring	BNT1432	Clutch Plate	BNT3326	Side Plate Open Nut
BNT0425	E Lock	BNT1433	Idle Gear B	BNT3327	Washer
BNT0586	O Ring	BNT1436	Clutch Pawl	BNT3399	Star Drag
BNT0664	Spacer B	BNT1437	Clutch Pawl Spring	BNT3400	Right Side Plate
BNT0686	E Lock	BNT1438	Drive Shaft Bushing	BNT3401	Drag Washer
BNT0799	Friction Washer	BNT1440	Worm Bushing A Retainer	BNT3403	Set Plate
BNT0817	Screw	BNT1447	Drive Shaft	BNT3404	Spool Assembly
BNT1133	Yoke Spring	BNT1448	Anti-Reverse Ratchet	BNT3405	One-Piece Frame
BNT1201	Retractor Spring Collar	BNT1476	Spacer	BNT3406	Clutch Bar Guide A
BNT1208	Side Plate Bolt	BNT1587	Pinion Gear	BNT3407	Clutch Bar Guide B
BNT1214	Drag Washer	BNT1611	Level Wind Guide	BNT3408	Quick-Fire II Clutch Bar
BNT1227	Push Nut (SPN-2)	BNT1672	E Lock	BNT3409	Left Side Plate
BNT1230	Spacer	BNT1696	Cast Control Spacer B	BNT3463	Nut Retainer
BNT1237	Screw	BNT1699	Worm Bushing A	BNT3527	Worm Shaft
BNT1241	Level Wind Guard	BNT1727	Handle Nut Plate	BNT3590	Side Plate Spring
BNT1243	Worm Bushing B	BNT1910	Cast Control Cap		