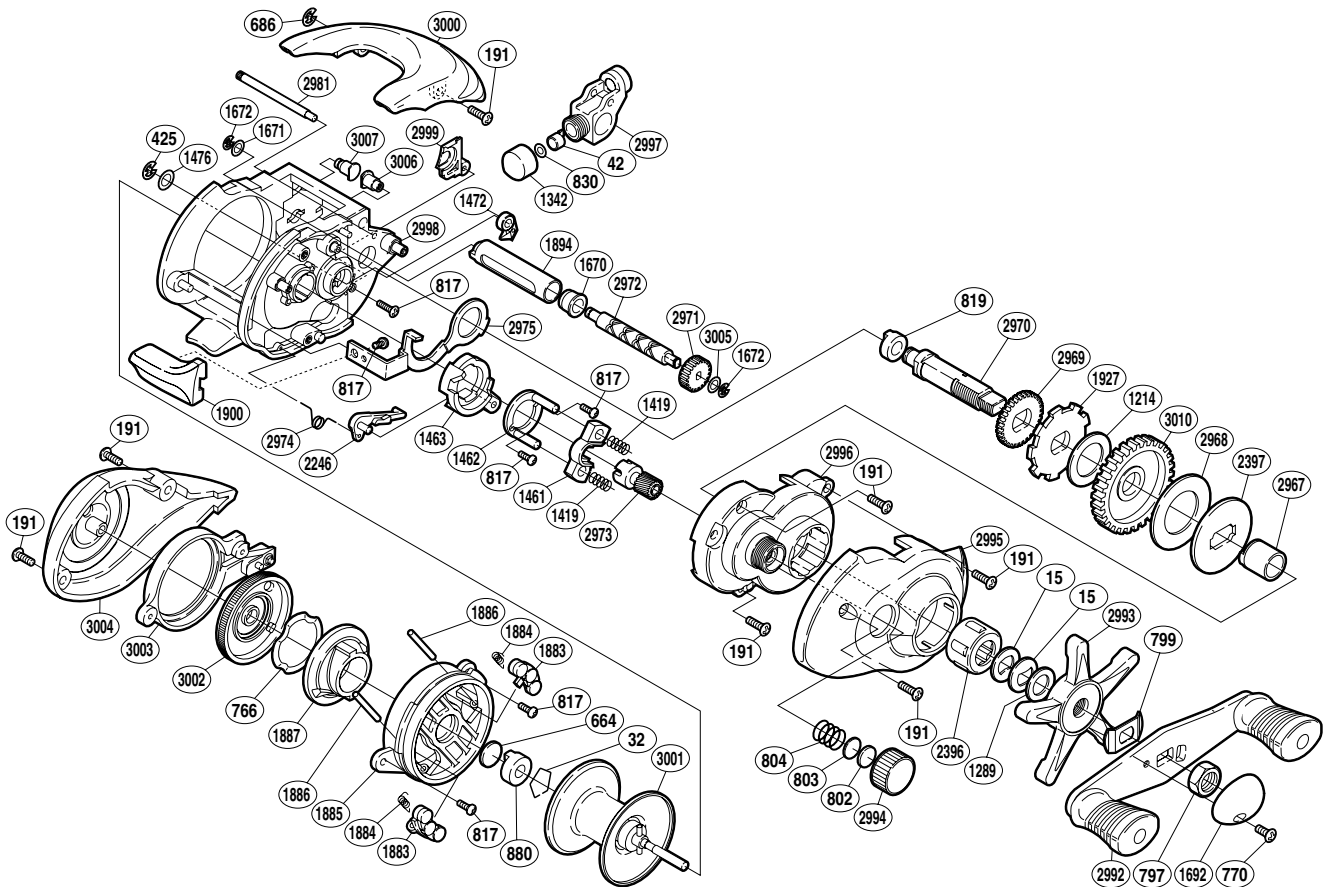


# SHIMANO®

## Callisto

### CSO-100



Part No.	Description	Part No.	Description	Part No.	Description
BNT0015	Drag Spring Washer	BNT1462	Clutch Cam Retainer	BNT2971	Idle Gear (C)
BNT0032	Bearing Retainer	BNT1463	Clutch Cam	BNT2972	Worm Shaft
BNT0042	Line Guide Pawl	BNT1472	Anti-Reverse Pawl	BNT2973	Pinion Gear
BNT0191	Multi-Purpose Screw	BNT1476	Drive Shaft Washer (D)	BNT2974	Clutch Pawl Spring
BNT0425	"E" Lock	BNT1670	Worm Shaft Bushing	BNT2975	Clutch Plate
BNT0664	Spacer (B)	BNT1671	Worm Shaft Washer (B)	BNT2981	Stabilizer Bar
BNT0686	"E" Lock	BNT1672	"E" Lock	BNT2992	Handle Assembly
BNT0766	Dial Friction Washer	BNT1692	Handle Nut Plate	BNT2993	Star Drag
BNT0770	Handle Nut Plate Screw	BNT1883	Magnet Retainer	BNT2994	Cast Control Cap
BNT0797	Handle Nut	BNT1884	Magnet Retainer Spring	BNT2995	Right Side Plate Cover
BNT0799	Friction Washer	BNT1885	Dial Case	BNT2996	Right Side Plate
BNT0802	Spool Tension Spacer (B)	BNT1886	Magnet Retainer Shaft	BNT2997	Line Guide
BNT0803	Spool Tension Spacer (A)	BNT1887	Brake Cam	BNT2998	One-Piece Frame
BNT0804	Spool Tension Spring	BNT1894	Level Wind Guard	BNT2999	Drive Shaft Cover
BNT0817	Multi-Purpose Screw	BNT1900	Quick-Fire II Clutch Bar	BNT3000	Thumb Rest
BNT0819	Drive Shaft Bushing	BNT1927	Anti-Reverse Ratchet	BNT3001	Spool Assembly
BNT0830	Spacer (optional)	BNT2246	Clutch Pawl	BNT3002	Magnetic Control Dial
BNT0880	Spool Shaft Bushing (C)	BNT2396	Roller Clutch Bearing	BNT3003	Left Side Plate
BNT1214	Drive Shaft Washer (A)	BNT2397	Key Washer	BNT3004	Left Side Plate Cover
BNT1289	Star Drag Spacer	BNT2967	Roller Clutch Inner Tube	BNT3005	Adjusting Washer
BNT1342	Pawl Cap	BNT2968	Drag Washer	BNT3006	Bushing Insert (B)
BNT1419	Yoke Spring	BNT2969	Idle Gear (A)	BNT3007	Bushing Insert (C)
BNT1461	Yoke	BNT2970	Drive Shaft	BNT3010	Drive Gear