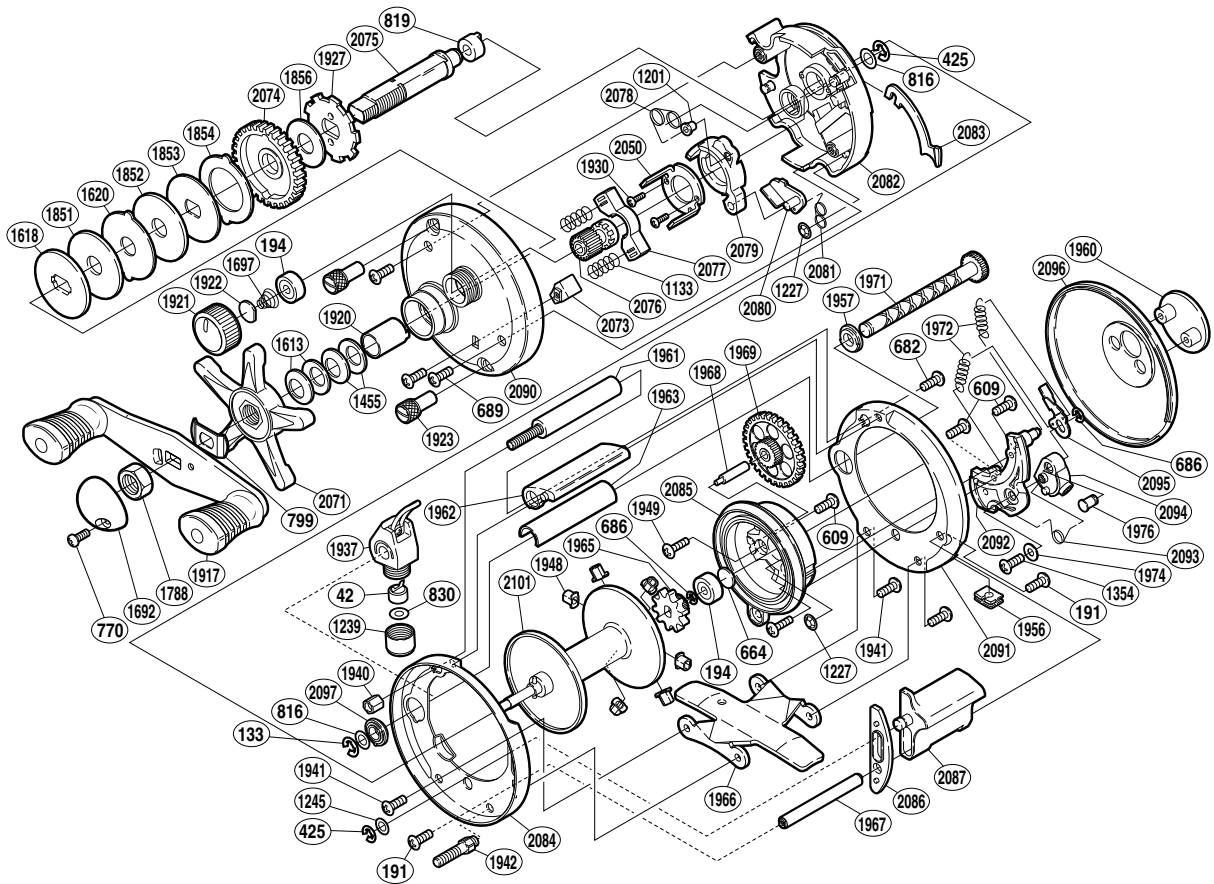


# SHIMANO®

## CORSAIR®

### CS-401



Part No.	Description	Part No.	Description	Part No.	Description
BNT0042	Line Guide Pawl	BNT1852	Drag Washer (B-2)	BNT1972	Click Spring
BNT0133	"E" Lock	BNT1853	Key Washer (A)	BNT1974	Click Switch Washer
BNT0191	Clutch Bar Support Screw	BNT1854	Eared Washer (B-1)	BNT1976	Click Shaft
BNT0194	Ball Bearing	BNT1856	Drag Washer (A)	BNT2050	Clutch Cam Retainer
BNT0425	"E" Lock	BNT1917	Handle Assembly	BNT2071	Star Drag
BNT0609	Multi-Purpose Screw	BNT1920	Roller Clutch Inner Tube	BNT2073	Return Pin Guide
BNT0664	Spacer B	BNT1921	Cast Control Cap	BNT2074	Drive Gear
BNT0682	Thumb Rest Screw	BNT1922	Cast Control Spacer	BNT2075	Drive Shaft
BNT0686	"E" Lock	BNT1923	Left Side Plate Nut	BNT2076	Pinion Gear
BNT0689	Left Side Plate Screw	BNT1927	Anti-Reverse Ratchet	BNT2077	Yoke
BNT0770	Handle Nut Plate Screw	BNT1930	Clutch Cam Screw	BNT2078	Retractor Spring
BNT0799	Friction Washer	BNT1937	Line Guide Assembly	BNT2079	Clutch Cam
BNT0816	Shaft Washer	BNT1940	Frame Nut	BNT2080	Clutch Pawl
BNT0819	Drive Shaft Bushing	BNT1941	Stand Screw	BNT2081	Clutch Pawl Spring
BNT0830	Spacer (optional)	BNT1942	Stand Bolt	BNT2082	Set Plate
BNT1133	Yoke Spring	BNT1948	Brake Collar	BNT2083	Clutch Plate
BNT1201	Retractor Spring Collar	BNT1949	Right Side Plate Screw	BNT2084	Left Side Frame
BNT1227	Push Nut (SPN-2)	BNT1956	Drain	BNT2085	Brake Case
BNT1239	Pawl Cap	BNT1957	Worm Bushing (B)	BNT2086	Clutch Bar Guide
BNT1245	Clutch Bar Support Spacer	BNT1960	Right Side I.D. Plate	BNT2087	Quick-Fire II Clutch Bar
BNT1354	Click Switch Screw	BNT1961	Frame Bar	BNT2090	Left Side Plate Assembly
BNT1455	Drag Spring Washer (H)	BNT1962	Thumb Rest	BNT2091	Right Side Frame
BNT1613	Drag Spring Washer (L)	BNT1963	Level Wind Guard	BNT2092	Click Plate
BNT1618	Key Washer (C)	BNT1965	Idle Gear (A)	BNT2093	Click Switch Spring
BNT1620	Eared Washer	BNT1966	Stand	BNT2094	Click Switch
BNT1692	Handle Nut Plate	BNT1967	Clutch Bar Support	BNT2095	Click Pawl
BNT1697	Spool Tension Spring	BNT1968	Idle Gear (B) Shaft	BNT2096	Right Side Plate
BNT1788	Handle Nut	BNT1969	Idle Gear (B)	BNT2097	Worm Bushing (A)
BNT1851	Drag Washer (C)	BNT1971	Worm Shaft	BNT2101	Spool Assembly