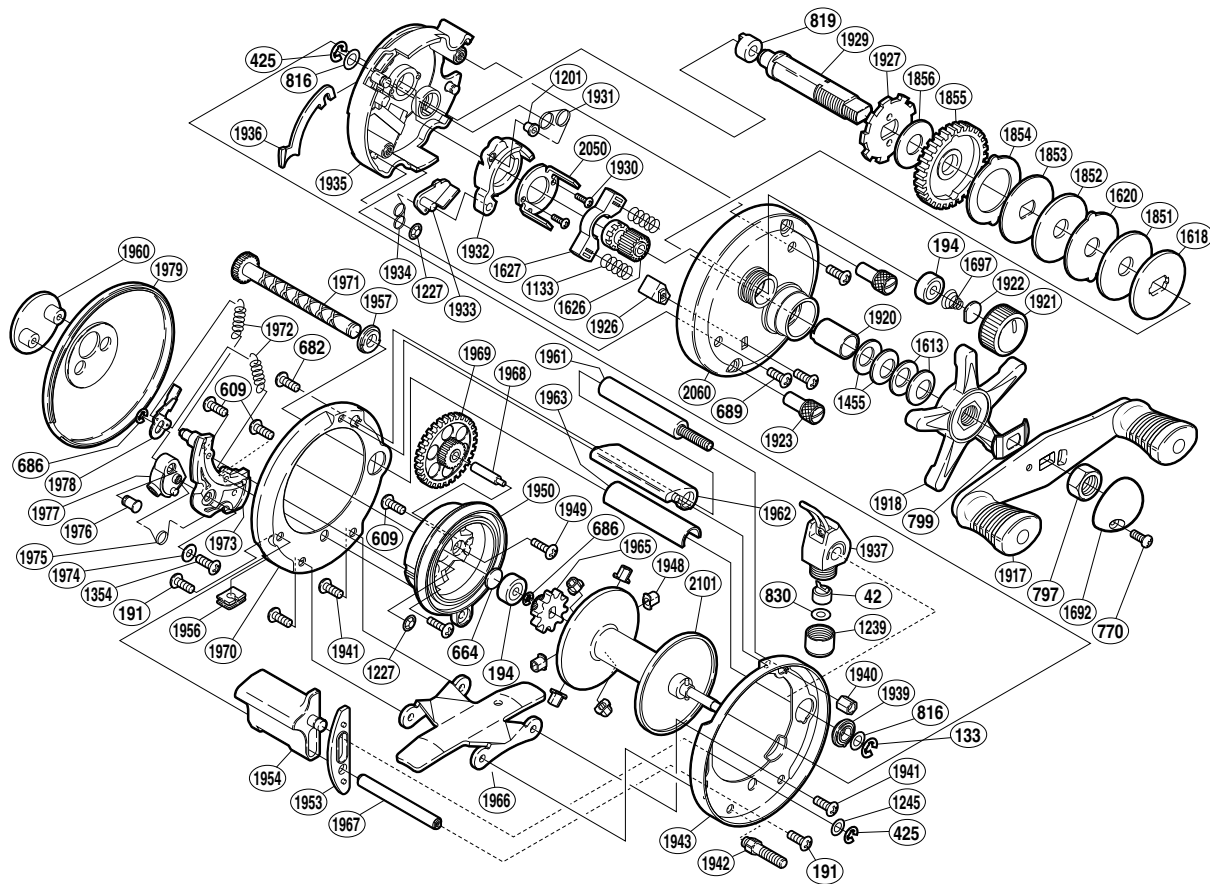


SHIMANO®

CORSAIR®

CS-400



Part No.	Description	Part No.	Description	Part No.	Description
BNT0042	Line Guide Pawl	BNT1697	Spool Tension Spring	BNT1948	Brake Collar
BNT0133	"E" Lock	BNT1851	Drag Washer (C)	BNT1949	Left Side Plate Screw
BNT0191	Clutch Bar Support Screw	BNT1852	Drag Washer (B-2)	BNT1950	Brake Case
BNT0194	Ball Bearing	BNT1853	Key Washer (A)	BNT1953	Clutch Bar Guide
BNT0425	"E" Lock	BNT1854	Eared Washer (B-1)	BNT1954	Quick-Fire II Clutch Bar
BNT0609	Multi-Purpose Screw	BNT1855	Drive Gear	BNT1956	Drain
BNT0664	Spacer B	BNT1856	Drag Washer (A)	BNT1957	Worm Bushing (B)
BNT0682	Thumb Rest Screw	BNT1917	Handle Assembly	BNT1960	Left Side I.D. Plate
BNT0686	"E" Lock	BNT1918	Star Drag	BNT1961	Frame Bar
BNT0689	Right Side Plate Screw	BNT1920	Roller Clutch Inner Tube	BNT1962	Thumb Rest
BNT0770	Handle Nut Plate Screw	BNT1921	Cast Control Cap	BNT1963	Level Wind Guard
BNT0797	Handle Nut	BNT1922	Cast Control Spacer	BNT1965	Idle Gear (A)
BNT0799	Friction Washer	BNT1923	Right Side Plate Nut	BNT1966	Stand
BNT0816	Shaft Washer	BNT1926	Return Pin Guide	BNT1967	Clutch Bar Support
BNT0819	Drive Shaft Bushing	BNT1927	Anti-Reverse Ratchet	BNT1968	Idle Gear (B) Shaft
BNT0830	Spacer (optional)	BNT1929	Drive Shaft	BNT1969	Idle Gear (B)
BNT1133	Yoke Spring	BNT1930	Clutch Cam Screw	BNT1970	Left Side Frame
BNT1201	Retractor Spring Collar	BNT1931	Retractor Spring	BNT1971	Worm Shaft
BNT1227	Push Nut (SPN-2)	BNT1932	Clutch Cam	BNT1972	Click Spring
BNT1239	Pawl Cap	BNT1933	Clutch Pawl	BNT1973	Click Plate
BNT1245	Clutch Bar Support Spacer	BNT1934	Clutch Pawl Spring	BNT1974	Click Switch Washer
BNT1354	Click Switch Screw	BNT1935	Set Plate	BNT1975	Click Switch Spring
BNT1455	Drag Spring Washer (H)	BNT1936	Clutch Plate	BNT1976	Click Shaft
BNT1613	Drag Spring Washer (L)	BNT1937	Line Guide Assembly	BNT1977	Click Switch
BNT1618	Key Washer (C)	BNT1939	Worm Bushing (A)	BNT1978	Click Pawl
BNT1620	Eared Washer	BNT1940	Frame Nut	BNT1979	Left Side Plate
BNT1626	Pinion Gear	BNT1941	Stand Screw	BNT2050	Clutch Cam Retainer
BNT1627	Yoke	BNT1942	Stand Bolt	BNT2060	Right Side Plate Assembly
BNT1692	Handle Nut Plate	BNT1943	Right Side Frame	BNT2101	Spool Assembly