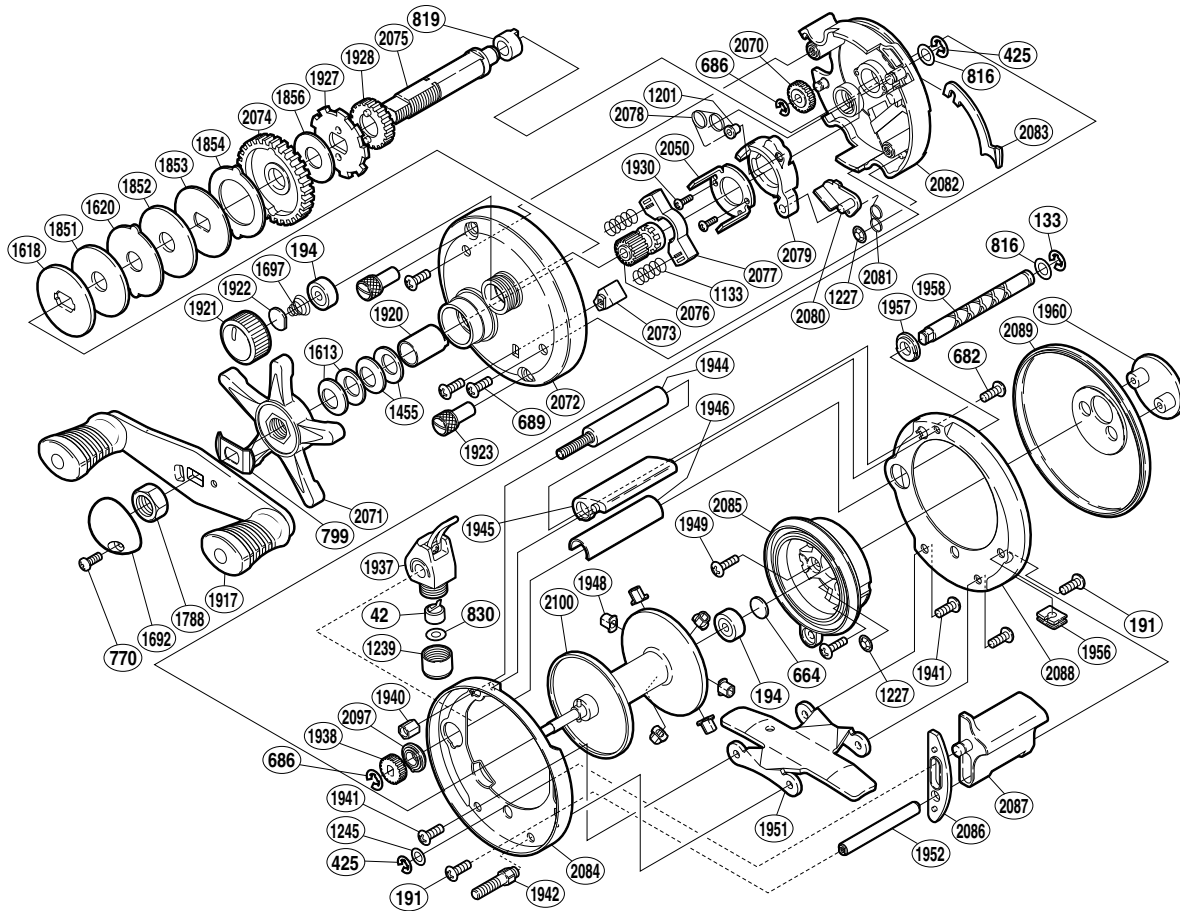


SHIMANO®

CORSAIR®

CS-301



Part No.	Description	Part No.	Description	Part No.	Description
BNT0042	Line Guide Pawl	BNT1851	Drag Washer (C)	BNT1957	Worm Bushing (B)
BNT0133	"E" Lock	1BNT852	Drag Washer (B-2)	BNT1958	Worm Shaft
BNT0191	Clutch Bar Support Screw	BNT1853	Key Washer (A)	BNT1960	Right Side I.D. Plate
BNT0194	Ball Bearing	BNT1854	Eared Washer (B-1)	BNT2050	Clutch Cam Retainer
BNT0425	"E" Lock	BNT1856	Drag Washer (A)	BNT2070	Idle Gear (B)
BNT0664	Spacer B	BNT1917	Handle Assembly	BNT2071	Star Drag
BNT0682	Thumb Rest Screw	BNT1920	Roller Clutch Inner Tube	BNT2072	Left Side Plate Assembly
BNT0686	"E" Lock	BNT1921	Cast Control Cap	BNT2073	Return Pin Guide
BNT0689	Left Side Plate Screw	BNT1922	Cast Control Spacer	BNT2074	Drive Gear
BNT0770	Handle Nut Plate Screw	BNT1923	Left Side Plate Nut	BNT2075	Drive Shaft
BNT0799	Friction Washer	BNT1927	Anti-Reverse Ratchet	BNT2076	Pinion Gear
BNT0816	Shaft Washer	BNT1928	Idle Gear (A)	BNT2077	Yoke
BNT0819	Drive Shaft Bushing	BNT1930	Clutch Cam Screw	BNT2078	Retractor Spring
BNT0830	Spacer (optional)	BNT1937	Line Guide Assembly	BNT2079	Clutch Cam
BNT1133	Yoke Spring	BNT1938	Idle Gear (C)	BNT2080	Clutch Pawl
BNT1201	Retractor Spring Collar	BNT1940	Frame Nut	BNT2081	Clutch Pawl Spring
BNT1227	Push Nut (SPN-2)	BNT1941	Stand Screw	BNT2082	Set Plate
BNT1239	Pawl Cap	BNT1942	Stand Bolt	BNT2083	Clutch Plate
BNT1245	Clutch Bar Support Spacer	BNT1944	Frame Bar	BNT2084	Left Side Frame
BNT1455	Drag Spring Washer (H)	BNT1945	Thumb Rest	BNT2085	Brake Case
BNT1613	Drag Spring Washer (L)	BNT1946	Level Wind Guard	BNT2086	Clutch Bar Guide
BNT1618	Key Washer (C)	BNT1948	Brake Collar	BNT2087	Quick-Fire II Clutch Bar
BNT1620	Eared Washer	BNT1949	Right Side Plate Screw	BNT2088	Right Side Frame
BNT1692	Handle Nut Plate	BNT1951	Stand	BNT2089	Right Side Plate
BNT1697	Spool Tension Spring	BNT1952	Clutch Bar Support	BNT2097	Worm Bushing (A)
BNT1788	Handle Nut	BNT1956	Drain	BNT2100	Spool Assembly