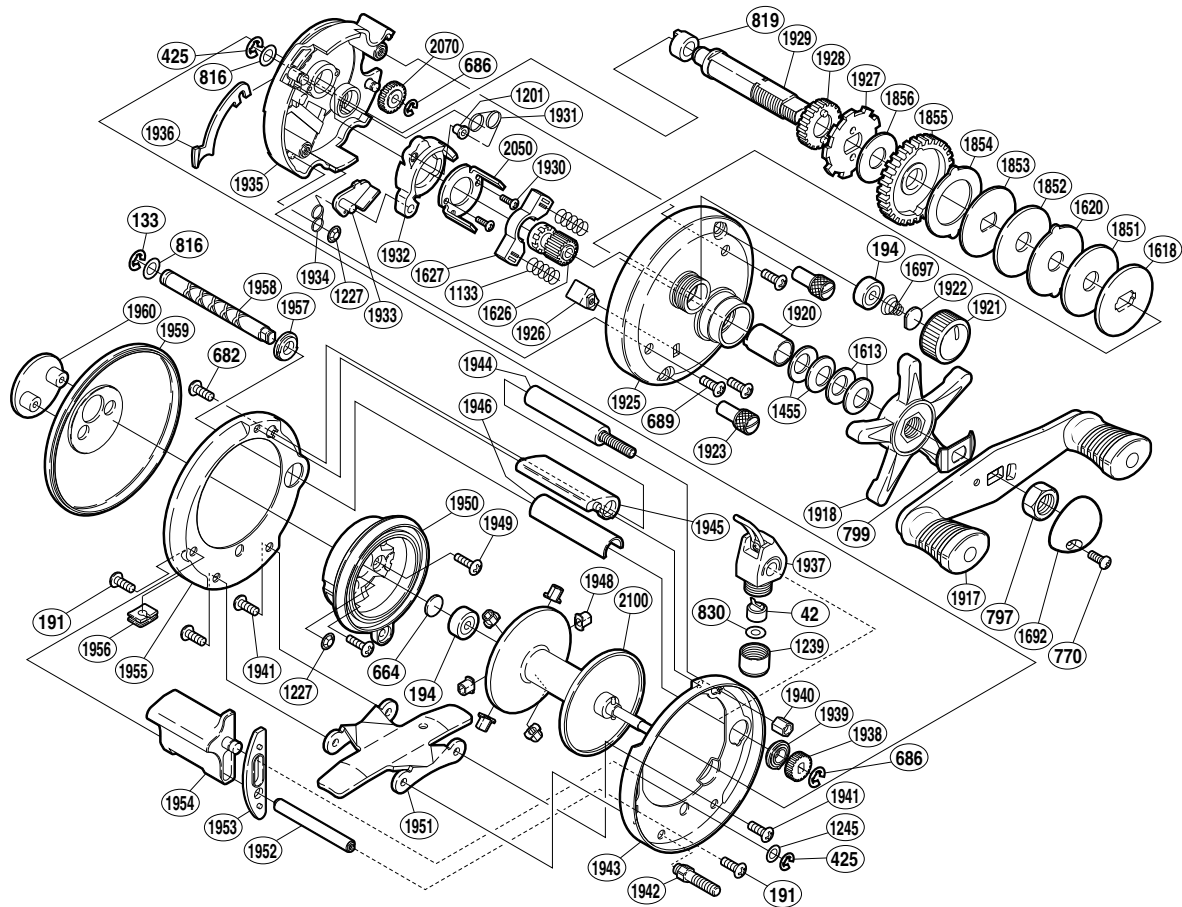


# SHIMANO®

## CORSAIR®

### CS-300



Part No.	Description	Part No.	Description	Part No.	Description
BNT0042	Line Guide Pawl	BNT1692	Handle Nut Plate	BNT1937	Line Guide Assembly
BNT0133	"E" Lock	BNT1697	Spool Tension Spring	BNT1938	Idle Gear (C)
BNT0191	Clutch Bar Support Screw	BNT1851	Drag Washer (C)	BNT1939	Worm Bushing (A)
BNT0194	Ball Bearing	BNT1852	Drag Washer (B-2)	BNT1940	Frame Nut
BNT0425	"E" Lock	BNT1853	Key Washer (A)	BNT1941	Stand Screw
BNT0664	Spacer B	BNT1854	Eared Washer (B-1)	BNT1942	Stand Bolt
BNT0682	Thumb Rest Screw	BNT1855	Drive Gear	BNT1943	Right Side Frame
BNT0686	"E" Lock	BNT1856	Drag Washer (A)	BNT1944	Frame Bar
BNT0689	Right Side Plate Screw	BNT1917	Handle Assembly	BNT1945	Thumb Rest
BNT0770	Handle Nut Plate Screw	BNT1918	Star Drag	BNT1946	Level Wind Guard
BNT0797	Handle Nut	BNT1920	Roller Clutch Inner Tube	BNT1948	Brake Collar
BNT0799	Friction Washer	BNT1921	Cast Control Cap	BNT1949	Left Side Plate Screw
BNT0816	Shaft Washer	BNT1922	Cast Control Spacer	BNT1950	Brake Case
BNT0819	Drive Shaft Bushing	BNT1923	Right Side Plate Nut	BNT1951	Stand
BNT0830	Spacer (optional)	BNT1925	Right Side Plate Assembly	BNT1952	Clutch Bar Support
BNT1133	Yoke Spring	BNT1926	Return Pin Guide	BNT1953	Clutch Bar Guide
BNT1201	Retractor Spring Collar	BNT1927	Anti-Reverse Ratchet	BNT1954	Quick-Fire II Clutch Bar
BNT1227	Push Nut (SPN-2)	BNT1928	Idle Gear (A)	BNT1955	Left Side Frame
BNT1239	Pawl Cap	BNT1929	Drive Shaft	BNT1956	Drain
BNT1245	Clutch Bar Support Spacer	BNT1930	Clutch Cam Screw	BNT1957	Worm Bushing (B)
BNT1455	Drag Spring Washer (H)	BNT1931	Retractor Spring	BNT1958	Worm Shaft
BNT1613	Drag Spring Washer (L)	BNT1932	Clutch Cam	BNT1959	Left Side Plate
BNT1618	Key Washer (C)	BNT1933	Clutch Pawl	BNT1960	Left Side I.D. Plate
BNT1620	Eared Washer	BNT1934	Clutch Pawl Spring	BNT2050	Clutch Cam Retainer
BNT1626	Pinion Gear	BNT1935	Set Plate	BNT2070	Idle Gear (B)
BNT1627	Yoke	BNT1936	Clutch Plate	BNT2100	Spool Assembly