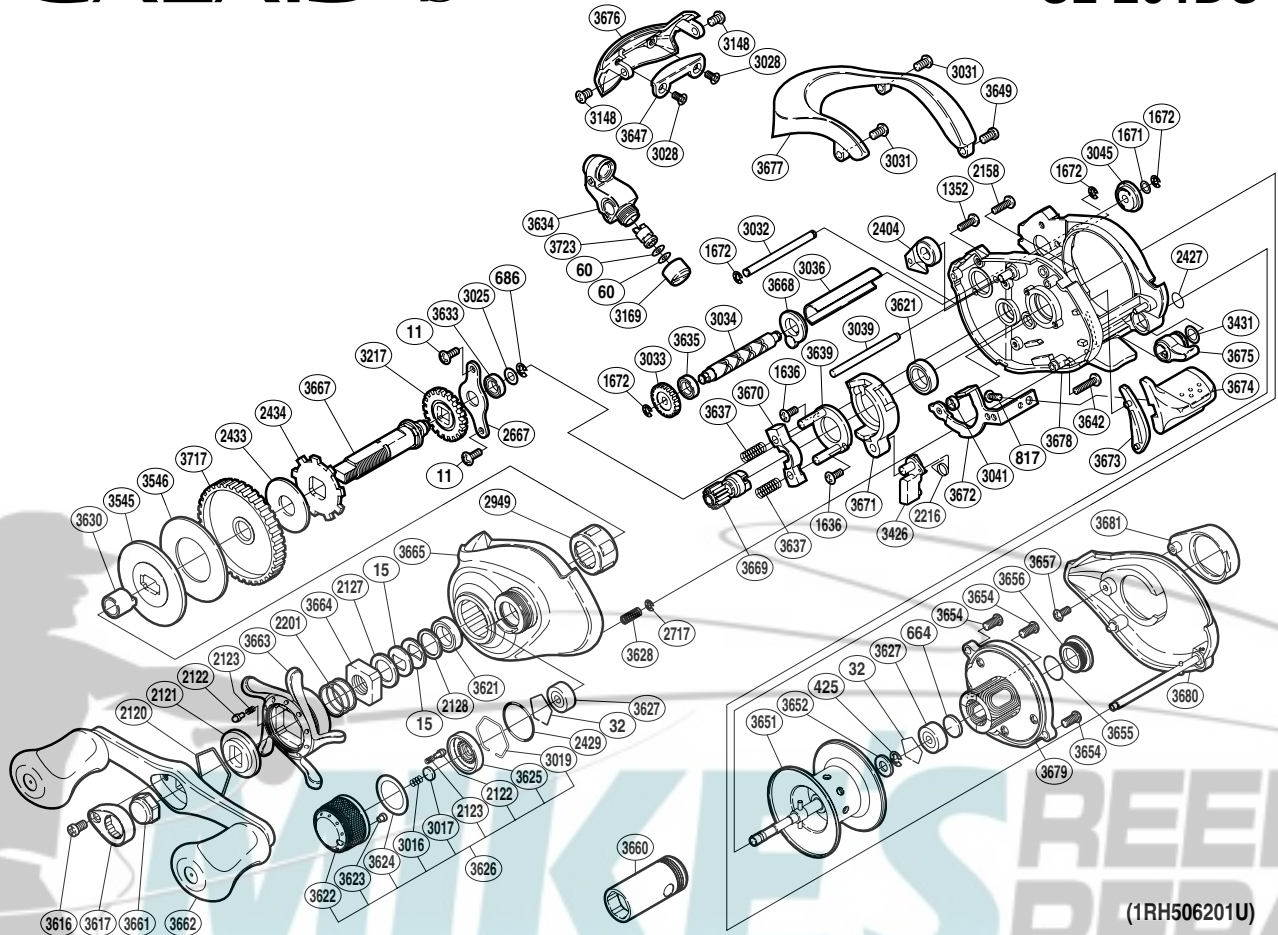


SHIMANO

CALAIS 

CL-201DC



(1RH506201U)

Part No.	Description	Part No.	Description	Part No.	Description
BNT0011	Screw	BNT3028	Screw	BNT3647	Line Guard Retainer
BNT0015	Drag Spring Washer	BNT3031	Screw	BNT3649	Screw
BNT0032	Bearing Retainer	BNT3032	Line Guard	BNT3651	Spool Assembly
BNT0060	Spacer	BNT3033	Idle Gear	BNT3652	Magnetic Plate
BNT0425	E Lock	BNT3034	Worm Shaft	BNT3654	Screw
BNT0664	Spacer B	BNT3036	Level Wind Guard	BNT3655	O Ring
BNT0686	E Lock	BNT3039	Level Wind Guide	BNT3656	Oil Cap
BNT0817	Screw	BNT3041	Clutch Plate Shaft Support	BNT3657	Screw
BNT1352	Screw	BNT3045	Worm Bushing B	BNT3661	Handle Nut
BNT1636	Screw	BNT3148	Screw	BNT3662	Handle Assembly
BNT1671	Washer	BNT3169	Pawl Cap	BNT3663	Star Drag
BNT1672	E Lock	BNT3217	Idle Gear	BNT3664	Star Drag Nut
BNT2120	Click Plate Retainer	BNT3426	Clutch Pawl	BNT3665	Left Side Plate
BNT2121	Star Drag Click	BNT3431	Washer	BNT3667	Drive Shaft
BNT2122	Click Pin	BNT3545	Key Washer	BNT3668	Worm Bushing A
BNT2123	Click Spring	BNT3546	Drag Washer	BNT3669	Pinion Gear
BNT2127	Star Drag Spacer	BNT3616	Screw	BNT3670	Yoke
BNT2128	Bearing Washer	BNT3617	Handle Nut Plate	BNT3671	Clutch Cam
BNT2158	Screw	BNT3621	Ball Bearing	BNT3672	Clutch Plate
BNT2201	Star Drag Spring	BNT3622	Cast Control Cap	BNT3673	Clutch Bar Guide B
BNT2216	Clutch Pawl Spring	BNT3623	Cast Control Cap Retainer	BNT3674	Quick-Fire II Clutch Bar
BNT2404	Anti-Reverse Pawl	BNT3624	Retainer Sheet	BNT3675	Side Plate Cam Lever
BNT2427	O Ring	BNT3625	Cast Control Click Plate	BNT3676	Level Wind Protector
BNT2429	O Ring	BNT3626	Cast Control Cap Assembly	BNT3677	Thumb Rest
BNT2433	Drag Washer	BNT3627	Ball Bearing	BNT3678	One-Piece Frame
BNT2434	Anti-Reverse Ratchet	BNT3628	Side Plate Spring	BNT3679	Digital Control Assembly
BNT2667	Drive Shaft Retainer	BNT3630	Roller Clutch Inner Tube	BNT3680	Right Side Plate
BNT2717	E Lock	BNT3633	Ball Bearing	BNT3681	BR Retainer
BNT2949	Roller Clutch Bearing	BNT3634	Line Guide	BNT3717	Drive Gear
BNT3016	Spool Tension Spring	BNT3635	Ball Bearing	BNT3723	Line Guide Pawl
BNT3017	Cast Control Spacer	BNT3637	Yoke Spring		
BNT3019	Cast Control Click Holder	BNT3639	Clutch Cam Retainer		
BNT3025	Washer	BNT3642	Screw	BNT3660	Wrench (accessory)

(180607)