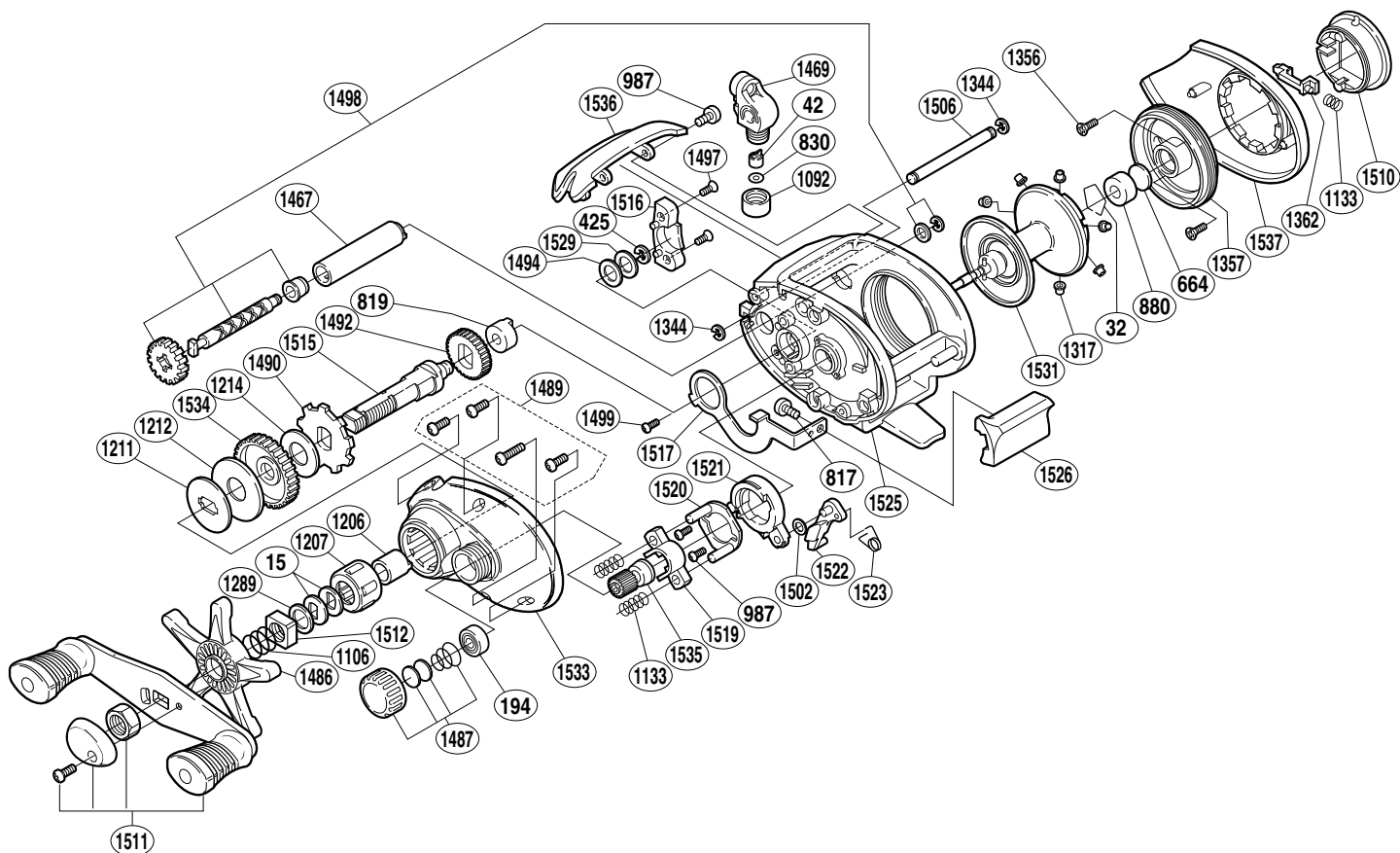


SHIMANO® CITICA®

CI-201



Part No.	Description	Part No.	Description	Part No.	Description
BNT0015	Drag Spring Washer	BNT1317	Brake Collars (red-6 pieces)	BNT1512	Star Drag Nut
BNT0032	Bearing Retainer	BNT1344	"C" Lock	BNT1515	Drive Shaft
BNT0042	Line Guide Pawl	BNT1356	Brake Case Retainer Screw	BNT1516	Drive Shaft Cover
BNT0194	Ball Bearing	BNT1357	Brake Case	BNT1517	Clutch Plate
BNT0425	"E" Lock	BNT1362	Turnkey Pawl	BNT1519	Yoke
BNT0664	Spacer (B)	BNT1467	Level Wind Guard	BNT1520	Clutch Cam Retainer
BNT0817	Clutch Bar Screw	BNT1469	Line Guide	BNT1521	Clutch Cam
BNT0819	Drive Shaft Bushing	BNT1486	Star Drag	BNT1522	Clutch Pawl
BNT0830	Spacer (optional)	BNT1487	Cast Control Cap Assembly	BNT1523	Clutch Pawl Spring
BNT0880	Spool Shaft Bushing	BNT1489	Side Plate Screws	BNT1525	One-Piece Frame
BNT0987	Multi Purpose Screw	BNT1490	Anti-Reverse Ratchet	BNT1526	Quick-Fire II Clutch Bar
BNT1092	Pawl Cap	BNT1492	Idle Gear	BNT1529	Drive Shaft Washer (A)
BNT1106	Star Drag Spring	BNT1494	Drive Shaft Washer (B)	BNT1531	Spool Assembly
BNT1133	Yoke / Turnkey Pawl Spring	BNT1497	Drive Shaft Cover Screw	BNT1533	Left Side Plate
BNT1206	Roller Clutch Inner Tube	BNT1498	Worm Shaft Assembly	BNT1534	Drive Gear
BNT1207	Roller Clutch Bearing	BNT1499	Clutch Plate Screw	BNT1535	Pinion Gear
BNT1211	Key Washer	BNT1502	Spacer (optional)	BNT1536	Thumb Rest
BNT1212	Drag Washer (C)	BNT1506	Line Guard	BNT1537	Right Side Plate
BNT1214	Drag Washer (A)	BNT1510	Turnkey Dial		
BNT1289	Star Drag Spacer	BNT1511	Handle Assembly		