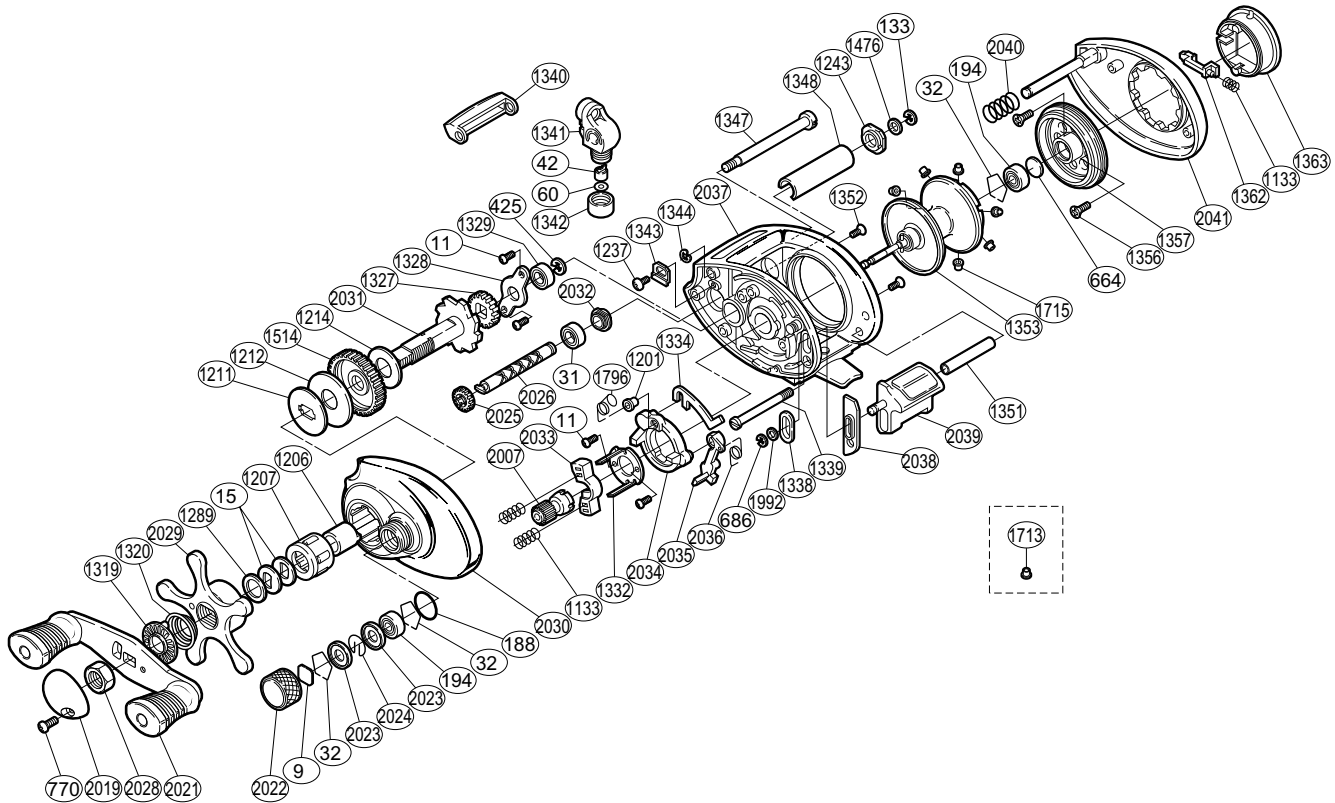


SHIMANO®

CHRONARCH®

CH-101A



Part No.	Description	Part No.	Description	Part No.	Description
BNT0009	Cast Control Cap	BNT1327	Idle Gear	BNT2007	Pinion Gear
BNT0011	Multi Purpose Screw	BNT1328	Drive Shaft Retainer	BNT2019	Handle Nut Plate Assembly
BNT0015	Drag Spring Washer	BNT1329	Ball Bearing	BNT2021	Handle Assembly
BNT0031	Ball Bearing	BNT1332	Clutch Cam Retainer	BNT2022	Cast Control Cap
BNT0032	Bearing Retainer	BNT1334	Clutch Plate	BNT2023	Spool Shaft Clip Holder
BNT0042	Line Guide Pawl	BNT1338	Clutch Bar Guide (A)	BNT2024	Spool Shaft Clip
BNT0060	Spacer (optional)	BNT1339	Clutch Bar Bolt	BNT2025	Idle Gear (C)
BNT0133	Worm Shaft Retainer	BNT1340	Level Wind Protector	BNT2026	Worm Shaft
BNT0188	"O" Ring	BNT1341	Line Guide	BNT2028	Handle Nut
BNT0194	Ball Bearing	BNT1342	Pawl Cap	BNT2029	Star Drag
BNT0425	"E" Lock	BNT1343	Worm Bearing (A) Retainer	BNT2030	Left Side Plate
BNT0664	Spacer (B)	BNT1344	"C" Lock	BNT2031	Drive Shaft
BNT0686	"E" Lock	BNT1347	Level Wind Guide	BNT2032	Worm Bushing (A)
BNT0770	Handle Nut Plate Screw	BNT1348	Level Wind Guard	BNT2033	Yoke
BNT1133	Yoke / Turnkey Pawl Spring	BNT1351	Clutch Bar Support	BNT2034	Clutch Cam
BNT1201	Retractor Spring Collar	BNT1352	Left Side Plate Screw	BNT2035	Clutch Pawl
BNT1206	Roller Clutch Inner Tube	BNT1353	Spool Assembly	BNT2036	Clutch Pawl Spring
BNT1207	Roller Clutch Bearing	BNT1356	Brake Case Retainer Screw	BNT2037	One-Piece Frame
BNT1211	Key Washer	BNT1357	Brake Case	BNT2038	Clutch Bar Guide (B)
BNT1212	Drag Washer (C)	BNT1362	Turnkey Pawl	BNT2039	Quick-Fire II Clutch Bar
BNT1214	Drag Washer (A)	BNT1363	Turnkey Dial	BNT2040	Right Side Plate Spring
BNT1237	Worm Bearing (A) Retainer Screw	BNT1476	Worm Shaft Spacer	BNT2041	Right Side Plate
BNT1243	Worm Bushing (B)	BNT1514	Drive Gear		
BNT1289	Star Drag Spacer	BNT1715	Brake Collar (red)		
BNT1319	Click Gear	BNT1796	Retractor Spring		
BNT1320	Star Drag Spring	BNT1992	Spacer (B)	BNT1713	Brake Collar (green)