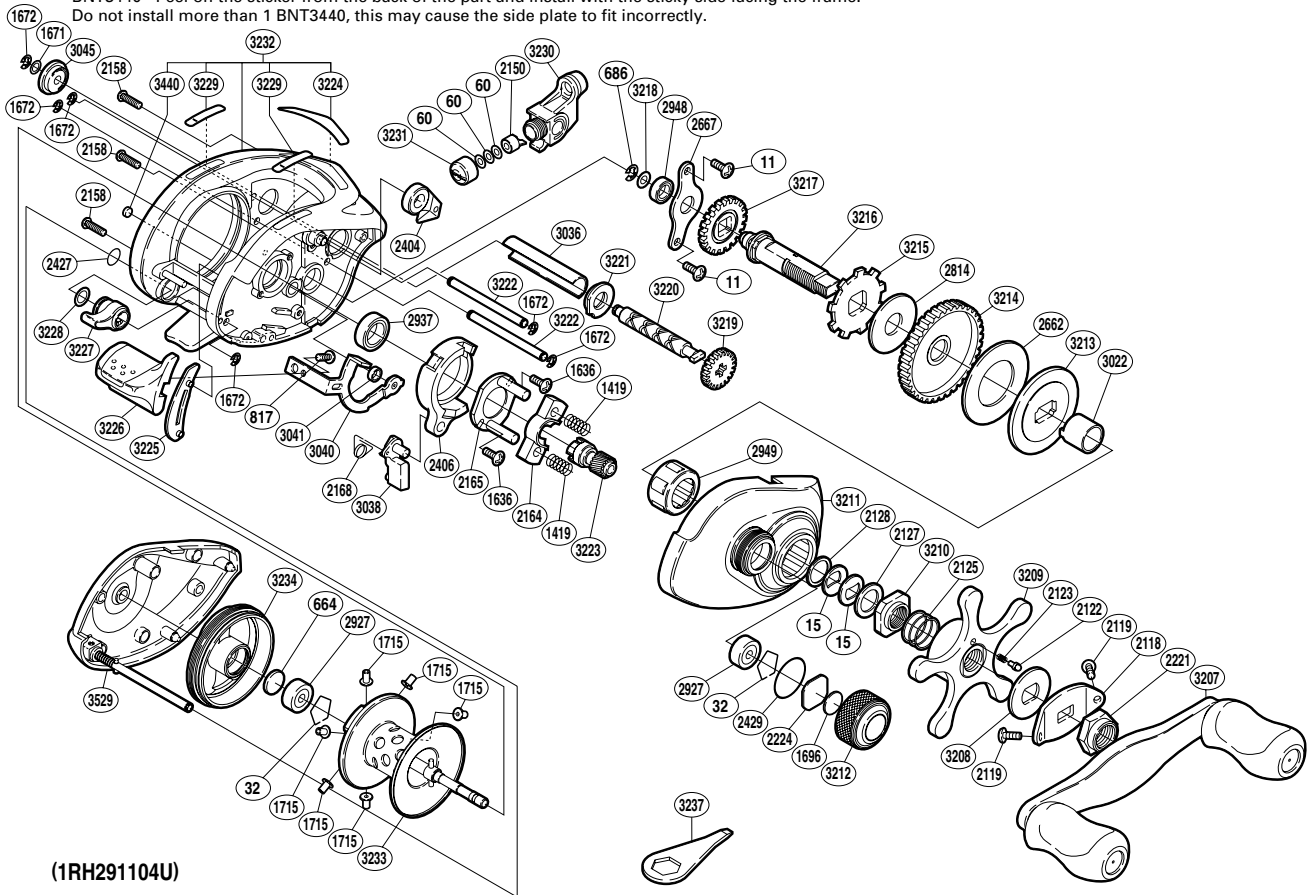


# SHIMANO®

## CHRONARCH A-RB

## CH-100B

BNT3440 - Peel off the sticker from the back of the part and install with the sticky side facing the frame.  
Do not install more than 1 BNT3440, this may cause the side plate to fit incorrectly.



(1RH291104U)

Part No.	Description	Part No.	Description	Part No.	Description
BNT0011	Screw	BNT2224	Spool Tension Spacer A	BNT3215	Anti-Reverse Ratchet
BNT0015	Drag Spring Washer	BNT2404	Anti-Reverse Pawl	BNT3216	Drive Shaft
BNT0032	Bearing Retainer	BNT2406	Clutch Cam	BNT3217	Idle Gear A
BNT0060	Spacer	BNT2427	O Ring	BNT3218	Washer
BNT0664	Spacer B	BNT2429	O Ring	BNT3219	Idle Gear C
BNT0686	E Lock	BNT2662	Drag Washer C	BNT3220	Worm Shaft
BNT0817	Screw	BNT2667	Drive Shaft Retainer	BNT3221	Worm Bushing A
BNT1419	Yoke Spring	BNT2814	Drag Washer A	BNT3222	Level Wind Guide
BNT1636	Screw	BNT2927	Ball Bearing	BNT3223	Pinion Gear
BNT1671	Washer	BNT2937	Ball Bearing	BNT3224	Frame Plate
BNT1672	E Lock	BNT2948	Ball Bearing	BNT3225	Clutch Bar Guide B
BNT1696	Cast Control Spacer B	BNT2949	Roller Clutch Bearing	BNT3226	Quick-Fire II Clutch Bar
BNT1715	Brake Collar (red)	BNT3022	Roller Clutch Inner Tube	BNT3227	Side Plate Cam Lever
BNT2118	Handle Nut Plate	BNT3036	Level Wind Guard	BNT3228	Washer
BNT2119	Screw	BNT3038	Clutch Pawl	BNT3229	Frame Guard Plate
BNT2122	Click Pin	BNT3040	Clutch Plate	BNT3230	Line Guide
BNT2123	Click Spring	BNT3041	Clutch Plate Shaft Support	BNT3231	Pawl Cap
BNT2125	Star Drag Spring	BNT3045	Worm Bushing B	BNT3232	One-Piece Frame
BNT2127	Star Drag Spacer	BNT3207	Handle Assembly	BNT3233	Spool Assembly
BNT2128	Bearing Washer	BNT3208	Star Drag Click Plate	BNT3234	Brake Case
BNT2150	Line Guide Pawl	BNT3209	Star Drag	BNT3440	Anti-Thrust Washer
BNT2158	Screw	BNT3210	Star Drag Nut	BNT3529	Left Side Plate Assembly
BNT2164	Yoke	BNT3211	Right Side Plate		
BNT2165	Clutch Cam Retainer	BNT3212	Cast Control Cap		
BNT2168	Clutch Pawl Spring	BNT3213	Key Washer		
BNT2221	Handle Nut	BNT3214	Drive Gear	BNT3237	Wrench (accessory)

(170525)