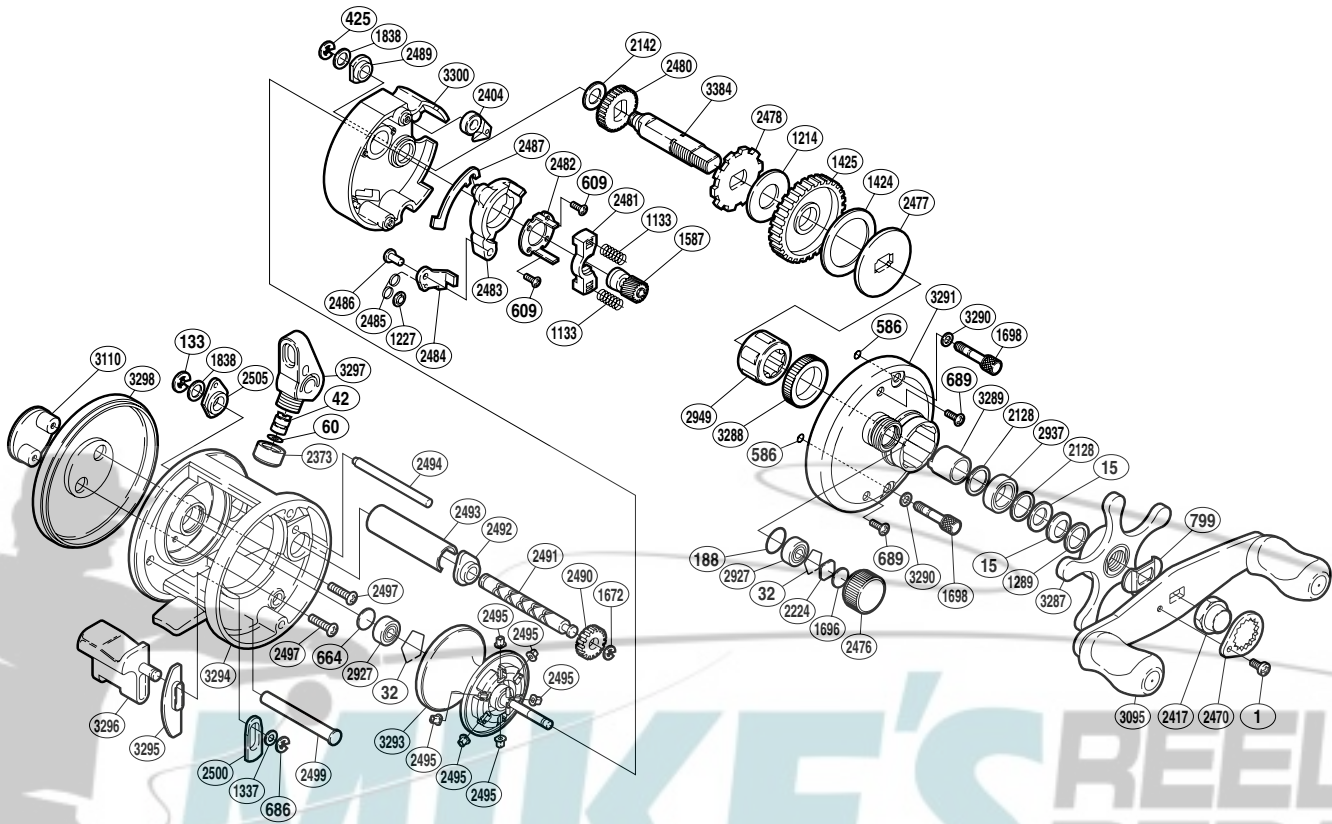


SHIMANO®

CARDIFF 

CDF-100A



(RH532100U)

Part No.	Description	Part No.	Description	Part No.	Description
BNT0001	Screw	BNT1838	Spacer	BNT2495	Brake Collar
BNT0015	Drag Spring Washer	BNT2128	Bearing Washer	BNT2497	Screw
BNT0032	Bearing Retainer	BNT2142	Idle Gear A Spacer	BNT2499	Clutch Bar Support
BNT0042	Line Guide Pawl	BNT2224	Spool Tension Spacer A	BNT2500	Clutch Bar Guide A
BNT0060	Spacer	BNT2373	Pawl Cap	BNT2505	Worm Bushing B
BNT0133	E Lock	BNT2404	Anti-Reverse Pawl	BNT2927	Ball Bearing
BNT0188	O Ring	BNT2417	Handle Nut	BNT2937	Ball Bearing
BNT0425	E Lock	BNT2470	Handle Nut Plate	BNT2949	Roller Clutch Bearing
BNT0586	Bolt Retainer	BNT2476	Cast Control Cap	BNT3095	Handle Assembly
BNT0609	Screw	BNT2477	Key Washer	BNT3110	Side I.D. Plate
BNT0664	Spacer B	BNT2478	Anti-Reverse Ratchet	BNT3287	Star Drag
BNT0686	E Lock	BNT2480	Idle Gear A	BNT3288	Drive Shaft Holder Bushing
BNT0689	Screw	BNT2481	Yoke	BNT3289	Roller Clutch Inner Tube
BNT0799	Friction Washer	BNT2482	Clutch Cam Retainer	BNT3290	Washer
BNT1133	Yoke Spring	BNT2483	Clutch Cam	BNT3291	Right Side Plate
BNT1214	Drag Washer A	BNT2484	Clutch Pawl	BNT3293	Spool Assembly
BNT1227	Push Nut (SPN-2)	BNT2485	Clutch Pawl Spring	BNT3294	One-Piece Frame
BNT1289	Star Drag Spacer	BNT2486	Clutch Pawl Pin	BNT3295	Clutch Bar Guide B
BNT1337	Spacer	BNT2487	Clutch Plate	BNT3296	Quick-Fire II Clutch Bar
BNT1424	Drag Washer C	BNT2489	Drive Shaft Bushing	BNT3297	Line Guide
BNT1425	Drive Gear	BNT2490	Idle Gear C	BNT3298	Left Side Plate
BNT1587	Pinion Gear	BNT2491	Worm Shaft	BNT3300	Set Plate
BNT1672	E Lock	BNT2492	Worm Bushing A	BNT3384	Drive Shaft
BNT1696	Cast Control Spacer B	BNT2493	Level Wind Guard		
BNT1698	Side Plate Bolt	BNT2494	Level Wind Guide		